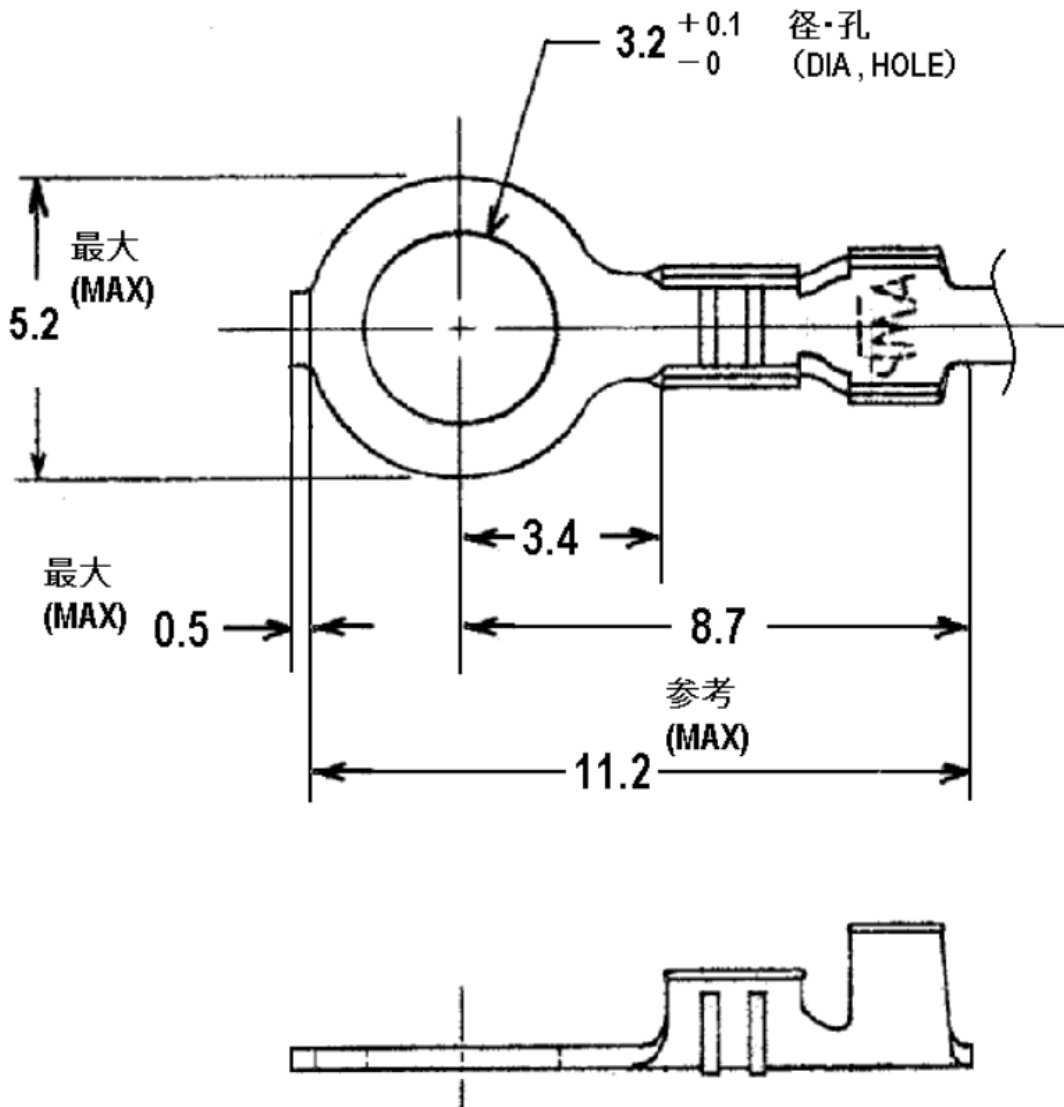


図号 (NUMBER)
C-170022



| | | | |
|-----------|----|---------|----------|
| Ni下地・錫めつき | 黄銅 | 板厚 0.36 | 170022-3 |
| 錫めつき | 黄銅 | 板厚 0.36 | 170022-2 |
| — | 黄銅 | 板厚 0.36 | 170022-1 |
| 仕上 | 材 | 料 | 型 番 |

| | | | |
|---|--------------------------------------|--|--------------|
| ©1961 BY AMP (JAPAN), Ltd. ALL RIGHTS RESERVED. AMP PRODUCTS COVERED BY PATENTS AND/OR PATENTS PENDING. | | 参考図面 (CUSTOMER COPY) (REFERENCE ONLY) | |
| 材料 (MATERIAL) | 表参照 | tyco Electronics Tyco Electronics AMP K.K. Kawasaki, Japan | |
| 仕上げ (FINISH) | 表参照 | 分類 (CLASS) リンブ | |
| 適合電線径 (WIRE RANGE) φ | 0.2~0.35 mm ² (AWG 26~22) | 型式 (TYPE) オートマチック (ALTIMATIC) | |
| 適用外径 (INSULATION DIA.) | 1.3~1.6 mm (0.050~0.060 IN) | LOG | SIZE 番号 (NO) |
| 公差 (TOLERANCE EXCEPT AS NOTED) | ±0.1 (0.010) | 5-1 | J A C-170022 |
| 名称 (NAME) | 丸型端子 (RING TONGUE WIRE TERMINAL) | | |

単位：寸法 DIMENSIONS IN MM. DO NOT SCALE PRINT

PRINT DIST

| | | | | |
|------|-----------------------------------|------|------|------------|
| D | REVISED | S.I | N.Y | 29 JAN '07 |
| C | ADDED -2 (P-DWG REV. E) | M.Y | OK | 2/6/07 |
| E | CHANGED WIRE RANGE (P-DWG REV. D) | K.W | STAN | 2/9/07 |
| A | REVISED WIRE RANGE (IN 2007) | N.H | ST | 2/14/07 |
| LTR. | 変更 (REVISION RECORD) | DR. | CHK. | DATE |
| DR. | N. IRIE / hls | DR. | | |
| CHK. | | APP. | | |