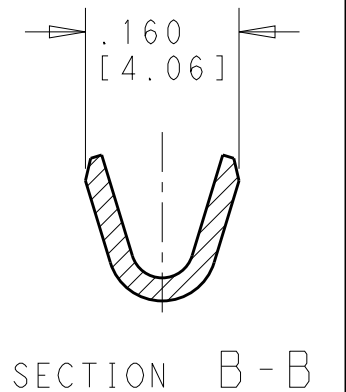
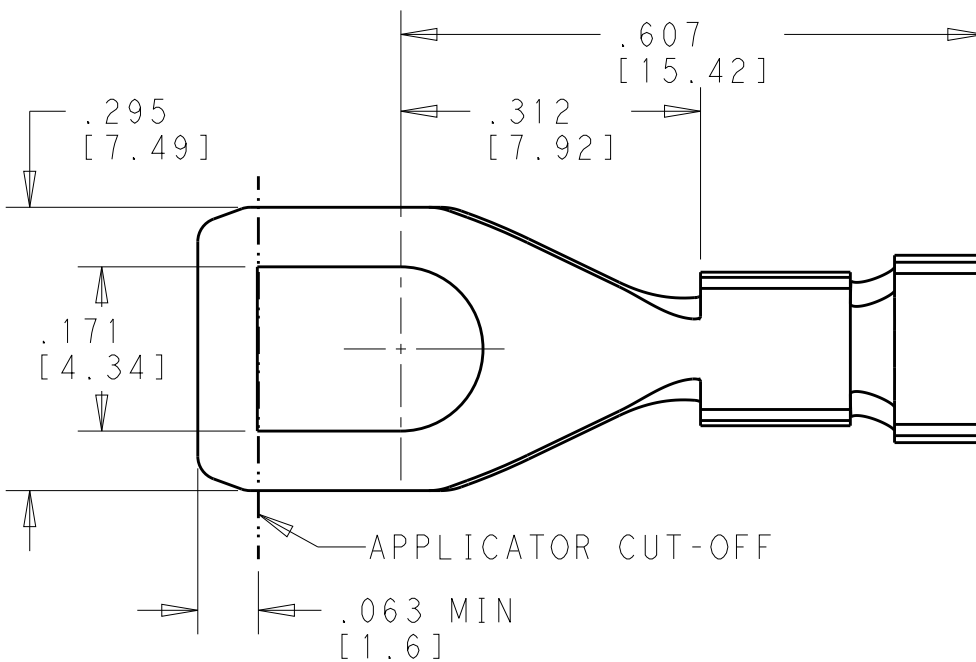
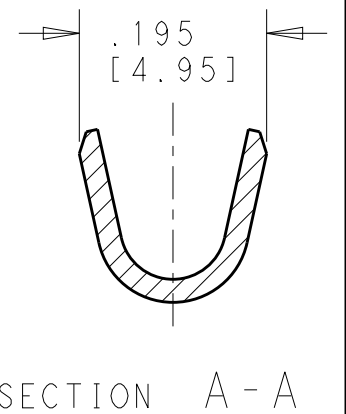
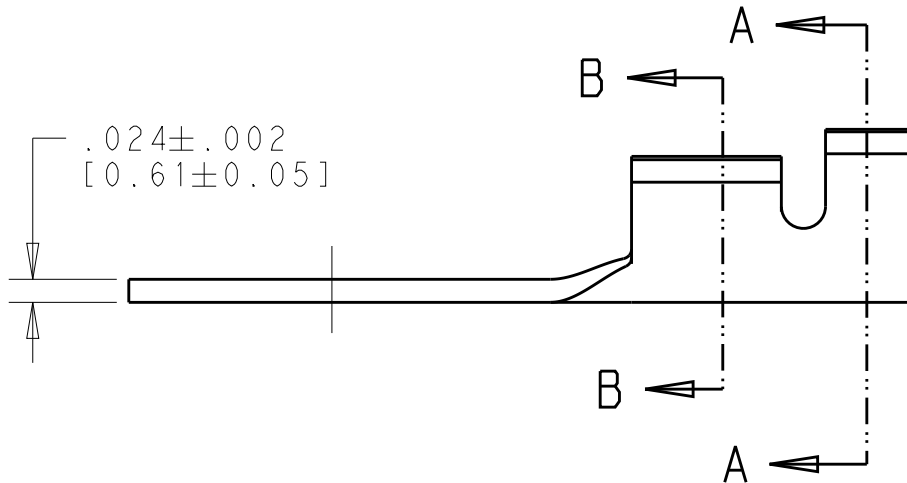


| | | | | | | | |
|-----|------|-----------|-----|---------------------------|------------|-----|------|
| LOC | DIST | REVISIONS | | | | | |
| IR | - | P | LTR | DESCRIPTION | DATE | DWN | APVD |
| | | | C1 | REDRAWN IN CAD | 11MAY2011 | PKS | RRP |
| | | | C2 | REVISED PER ECR-20-012529 | 30SEPT2020 | AA | LZ |

| | |
|--------------|-------------|
| WIRE RANGE | 18-14 AWG |
| INSUL. RANGE | ∅.098-∅.137 |



| | | |
|------------|----------|----------|
| TIN PLATED | BRASS | 140791-2 |
| NONE | BRASS | 140791-1 |
| FINISH | MATERIAL | P/N |

1973

RELEASED FOR PUBLICATION

ALL RIGHTS RESERVED.


1973

© COPYRIGHT 2011

THIS DRAWING IS UNPUBLISHED.

| | |
|--|-------|
| DIMENSIONS: | |
| INCHES | |
| TOLERANCES UNLESS OTHERWISE SPECIFIED: | |
| 0 PLC | ± |
| 1 PLC | ± |
| 2 PLC | ± |
| 3 PLC | ±.010 |
| 4 PLC | ± |
| ANGLES | ±1° |

| | |
|------------------|-----------|
| DWN | 09MAY2011 |
| SENTHIL | |
| CHK | 10MAY2011 |
| M.GREENER | |
| APVD | 12MAY2011 |
| RAJENDRA | |
| PRODUCT SPEC | - |
| APPLICATION SPEC | - |
| WEIGHT | - |
| CUSTOMER DRAWING | |

| | | | |
|---|-----------|------------|---------------|
| MATERIAL | SEE TABLE | FINISH | SEE TABLE |
|  TE Connectivity | | | |
| NAME | | | |
| WIRE TERMINAL | | | |
| SIZE | CAGE CODE | DRAWING NO | RESTRICTED TO |
| A4 | 00779 | C-140791 | |
| SCALE | | SHEET | REV |
| 5:1 | | 1 OF 1 | C2 |