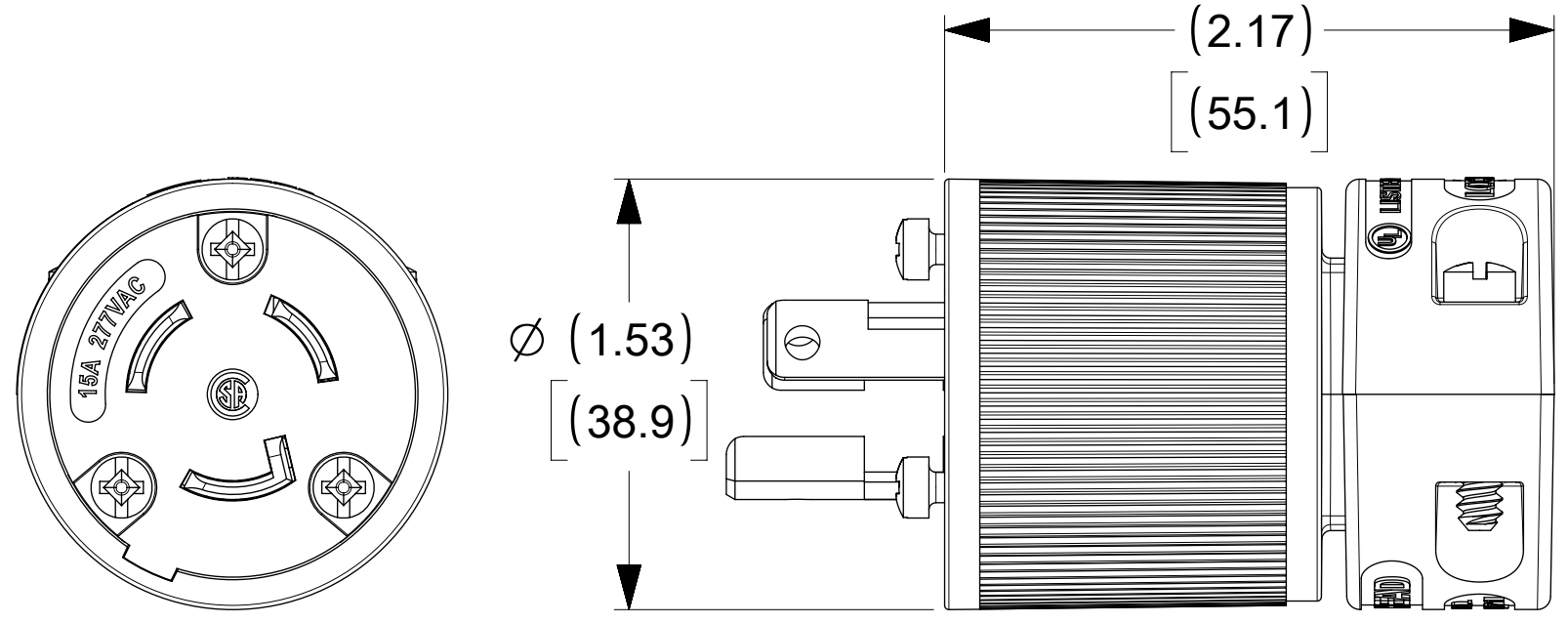
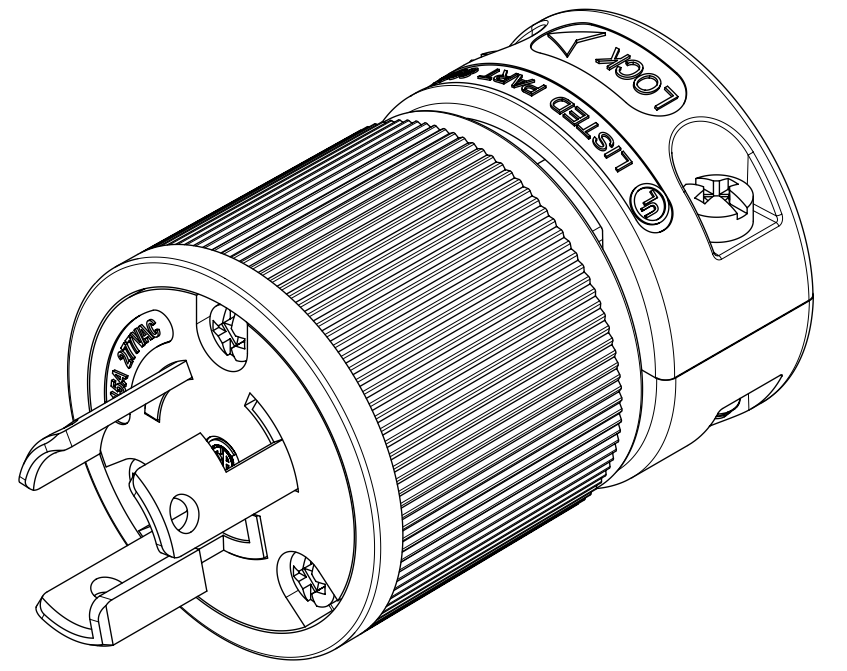
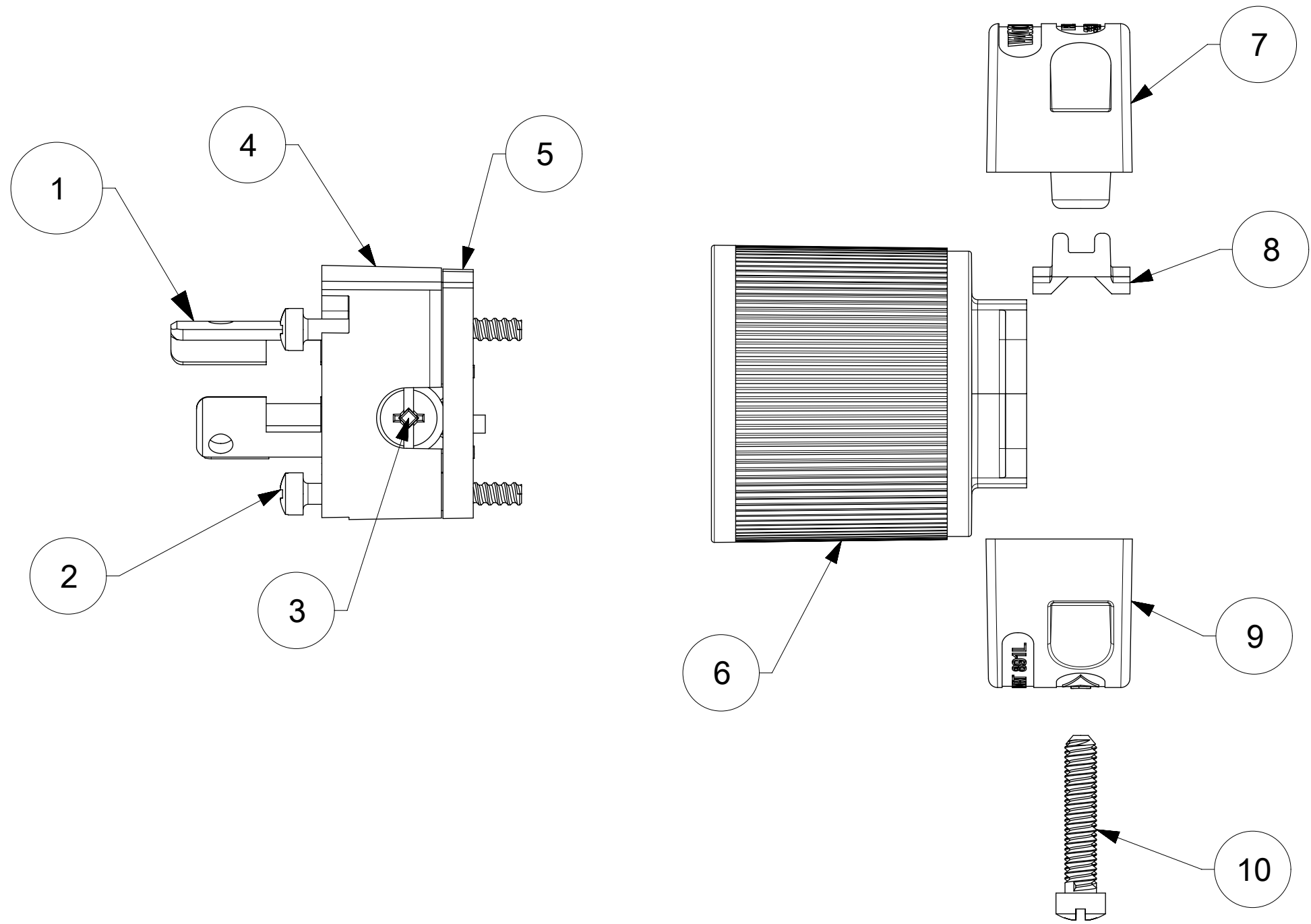
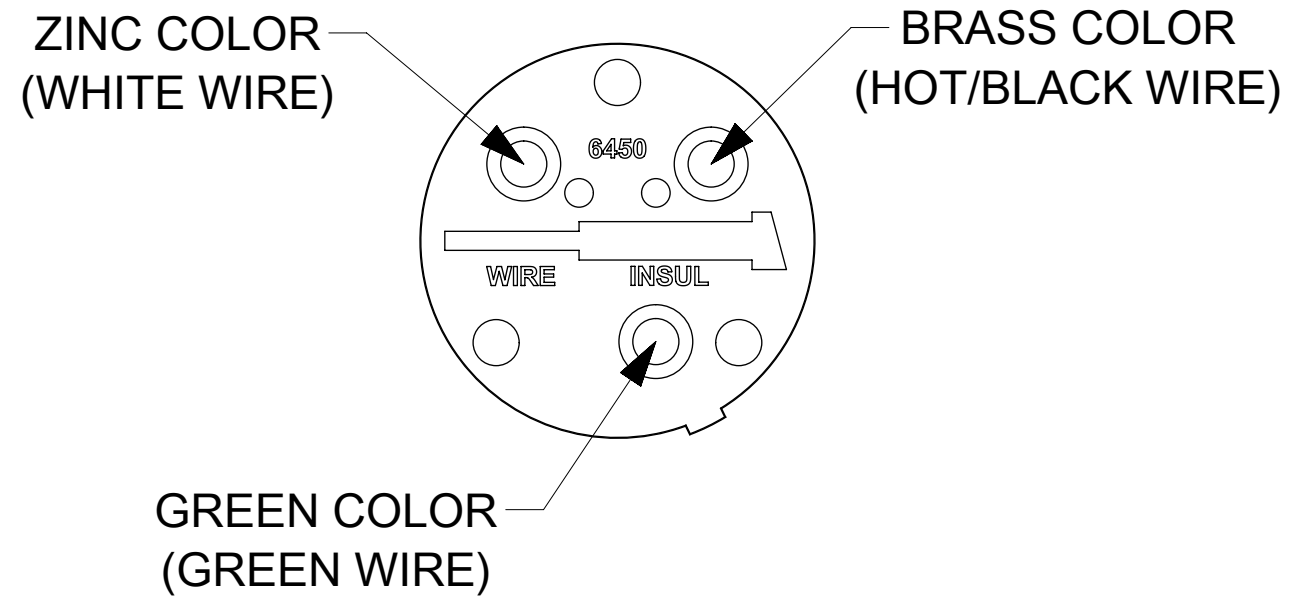


ORDER NO.	WOODHEAD NO.	COLOR
130144-0031	4770	BLACK
130144-0032	4770YL	YELLOW



**WIRING TERMINATION**



ITEM NO.	DESCRIPTIONS	MATERIAL	QTY.
1	BLADES	BRASS, NICKEL PLATED	3
2	RETAINING SCREWS	STAINLESS STEEL	3
3	TERMINAL SCREWS/CLAMP ASSEMBLY	BRASS, ZINC PLATED	3
4	INSERT	NYLON	1
5	TERMINAL COVER	POLYCARBONATE	1
6	HOUSING	NYLON	1
7	CLAMP CORD MALE	NYLON	1
8	CLAMP CORD INSERT	NYLON	1
9	CLAMP CORD FEMALE	NYLON	1
10	RETAINING SCREWS	STEEL, ZINC PLATED	2

PRE-RELEASE  
REFERENCE  
USE ONLY

SYMBOLS		THIS DRAWING CONTAINS INFORMATION THAT IS PROPRIETARY TO MOLEX ELECTRONIC TECHNOLOGIES, LLC AND SHOULD NOT BE USED WITHOUT WRITTEN PERMISSION		CURRENT REV DESC: NEW RELEASE	
▽ = 0	INCH[MM]	SCALE		NTS	
▽ = 0	GENERAL TOLERANCES (UNLESS SPECIFIED)		EC NO: 621778		
▽ = 0		MM	INCH	DRWN: VBASUTHKARP	2019/04/03
▽ = 0	4 PLACES	±	±	CHK'D: DNGUYEN62	2019/12/02
▽ = 0	3 PLACES	±	±	APPR:	
▽ = 0	2 PLACES	±	±	INITIAL REVISION:	
▽ = 0	1 PLACE	±	±	DRWN: VBASUTHKARP	2019/04/03
▽ = 0	0 PLACES	±	±	APPR:	
▽ = 0	ANGULAR TOL	±	°	THIRD ANGLE PROJECTION	DRAWING
▽ = 0	DRAFT WHERE APPLICABLE MUST REMAIN WITHIN DIMENSIONS		THIRD ANGLE PROJECTION	DRAWING	SERIES
				C-SIZE	130144

<b>molex</b>		SAFeway PLUG 2P3W L7-15	
PRODUCT CUSTOMER DRAWING			
DOCUMENT NUMBER	DOC TYPE	DOC PART	REVISION
1301440031	PSD	000	A
MATERIAL NUMBER	CUSTOMER	SHEET NUMBER	
SEE TABLE	GENERAL MARKET	1 OF 1	

DOCUMENT STATUS	RV	RELEASE DATE