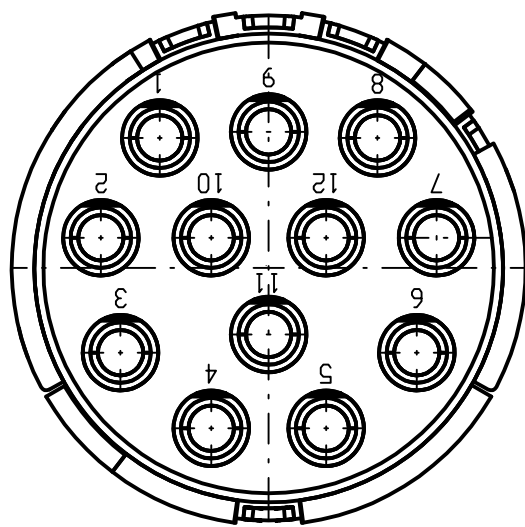
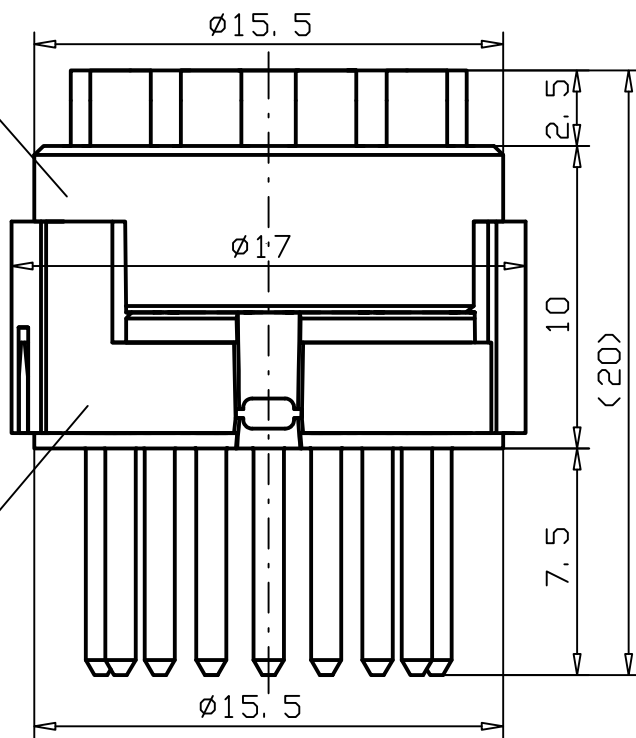


Lower part, Pins
Unterteil, Stifte

Upper part, Pins
Oberteil, Stifte



Notes:

Packaging units: 5 pcs
Tolerances (unless specified): DIN ISO 2768 m

Bemerkungen:

Verpackungseinheit: 5 Stück
Toleranzen (sofern nichts anderes angegeben ist): DIN ISO 2768 m

DESCRIPTION EC NO: WEU2008-0019 DRWN: BBRAUCH 2008/05/13 CHKD: LS 2008/05/21 APPR: REISSNER 2008/05/27	QUALITY SYMBOLS	GENERAL TOLERANCES (UNLESS SPECIFIED)		DIMENSION STYLE		SCALE	DESIGN UNITS	FIRST ANGLE PROJECTION
	▽ = 0 ◻ = 0			MM		4:1	METRIC	
			mm	INCH	DRAWN BY	DATE	M23 SIG INSERT MALE 12P SOLDER P/N: KISC6-55	
		4 PLACES	±----	±----	BB	2008/05/13		
3 PLACES	±----	±----	CHECKED BY	DATE	MOLEX INCORPORATED			
2 PLACES	±----	±----	---	---				
1 PLACE	±----	±----	APPROVED BY	DATE	DOCUMENT NO. SD-120232-044 SHEET NO. 1 OF 1			
ANGULAR ± --- °		RE	2008/05/21					
DRAFT WHERE APPLICABLE MUST REMAIN WITHIN DIMENSIONS		MATERIAL NO. 1202320044		SIZE A4		THIS DRAWING CONTAINS INFORMATION THAT IS PROPRIETARY TO MOLEX INCORPORATED AND SHOULD NOT BE USED WITHOUT WRITTEN PERMISSION		