

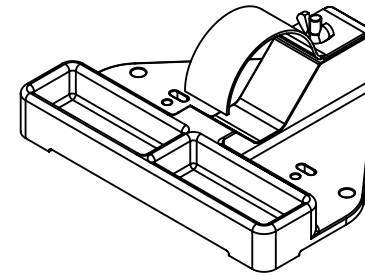
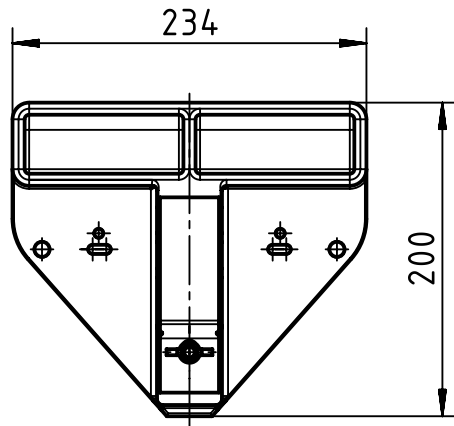
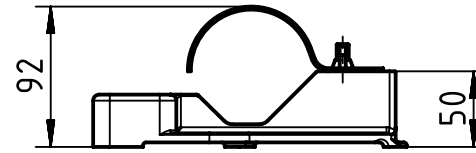
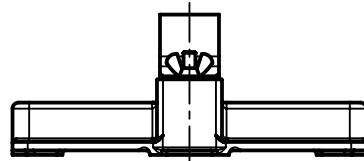
1 2 3 4 5 6


A

B

C

D



	All rights reserved Department EL PD HARTING Electric GmbH & Co. KG D-32339 Espelkamp	All Dimensions in mm Original Size DIN A4	Scale 1:5	Free size tol.		Ref. Sub.	
		Created by TEICHRIBER	Inspected by SUNDERMEIER	Standardisation RUETERA	Date 2018-05-16	State Final Release	
Title Bench Mount f. 0314/0307						Doc-Key / ECM-Nr. 100782877/UGD/001/A 500000135200	
Type TB		Number 09 99 000 0309				Rev. A	Page 1/1