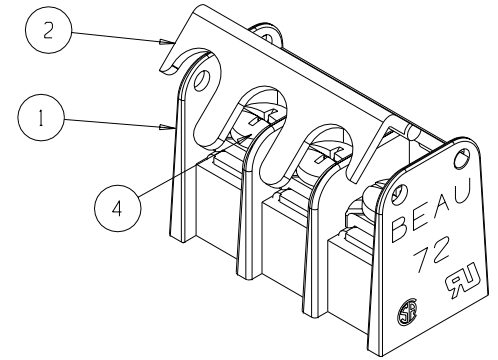
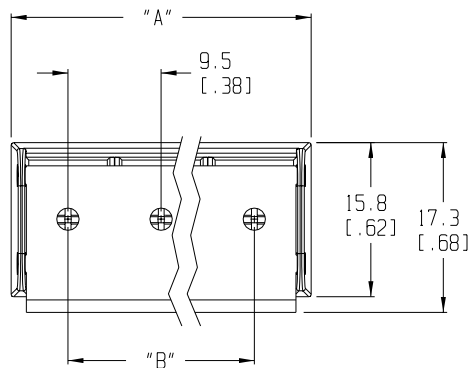
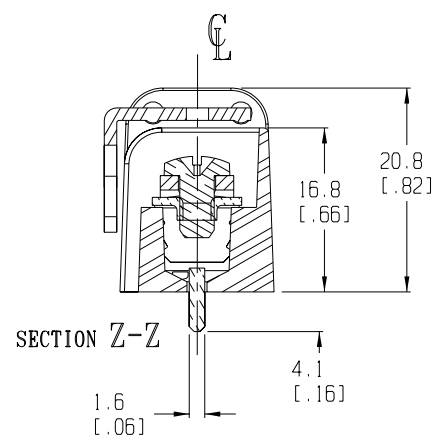
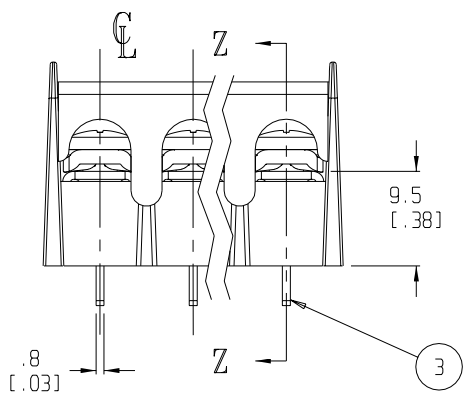


ASSEMBLY MATERIAL NO.	# OF CIRCUITS "XX"	DIM "A"	DIM "B"
387291455	2	21.2 (0.83)	9.5 (0.38)
387291456	3	30.7 (1.21)	19.1 (0.75)
	4	40.2 (1.58)	28.6 (1.13)
	5	49.7 (1.96)	38.1 (1.50)
	6	59.2 (2.33)	47.6 (1.88)
	7	68.8 (2.71)	57.2 (2.25)
	8	78.3 (3.08)	66.7 (2.63)
	9	87.8 (3.46)	76.2 (3.00)
	10	97.3 (3.83)	85.7 (3.38)
	11	106.9 (4.21)	95.3 (3.75)
	12	116.4 (4.58)	104.8 (4.13)
	13	125.9 (4.96)	114.3 (4.50)
	14	135.5 (5.33)	123.8 (4.88)
	15	145.0 (5.71)	133.4 (5.25)
	16	154.5 (6.08)	142.9 (5.63)



3 LENGTH SHOWN



- NOTES:
1. MATERIAL: SEE TABLE
  2. FINISHES: SEE TABLE
  3. PRODUCT SPECIFICATION: NOT REQUIRED
  4. PACKAGING: NOT REQUIRED
  5. MATES WITH: NONE

ITEM	QTY.	DESCRIPTION	MATERIAL	FINISH
4	XX	SCREW	STEEL	ZN, CLEAR CHROMATE
3	XX	TERMINAL	BRASS	TIN
2	1	COVER	THERMOPLASTIC	BLACK
1	1	BARRIER	THERMOPLASTIC	BLACK

EC NO. RELEASED DRAWN: CY CHK: K APPR:	DESCRIPTION MAJOR CRITICAL SPC S	GENERAL TOLERANCES: (UNLESS SPECIFIED)		SCALE 2:1	DESIGN UNITS <input type="checkbox"/> mm <input checked="" type="checkbox"/> INCH	THIRD ANGLE PROJECTION	PROJECT NO. - -	1 -	
		DIMENSIONS: <input checked="" type="checkbox"/> mm <input type="checkbox"/> INCH <input type="checkbox"/> mm <input type="checkbox"/> INCH		DRAWN BY & DATE C. YORK 6-9-03	TITLE: SR BTS, CS ASSY WITH PC TAIL (-16 OPT) AND HINGED COVER		SHT REV	REVISE ON CAD ONLY	
		APPROVED BY & DATE		MOLEX INCORPORATED		MATERIAL NO. SEE CHART		DRAWING NO. SD-38729-013	
		DRAFT WHERE APPLICABLE MUST REMAIN WITHIN DIMENSIONS		CAD FILENAME 72R5XX-CH16		SHEET NO. 1 OF 1		SIZE B	