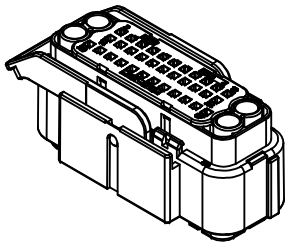
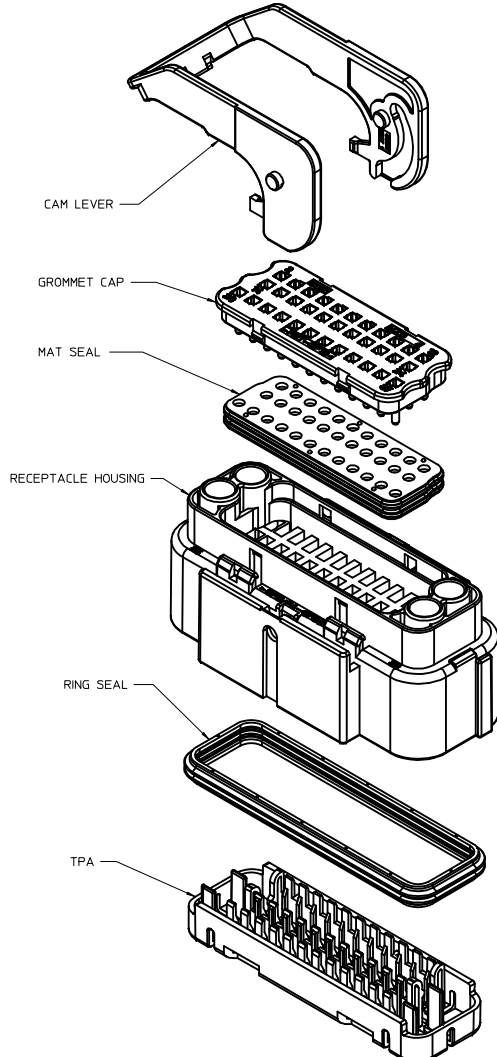


TABLE OF CONTENTS	
SHEET NO.	SHEET DESCRIPTION
1	NOTES AND BOM
2	CONFIGURATIONS
3	RECEPTACLE CONNECTOR ASSEMBLY
4	WIRE SHIELD

- NOTES: VALID UNLESS OTHERWISE SPECIFIED
- CONNECTOR TO BE SHIPPED WITH TPA IN PRE-LOAD POSITION AS SHOWN IN SECTION Y-Y.
  - ALL TEXT TO BE CLEARLY LEGIBLE AND 1.50MM MIN. HEIGHT.
 

DATE CODE DESCRIPTION:  
 -1st THROUGH 3rd DIGIT = "DAY#" OF THE CALENDAR YEAR. (EXAMPLE FEB, 3rd = '034')  
 -LAST DIGIT = LAST DIGIT OF CALENDAR YEAR. (EXAMPLE: 2000 = '0')  
 SERIAL NUMBER DESCRIPTION:  
 -STARTS AT '00001' AND IS RESET FOR EACH NEW 'DAY#'.  
 3. DIMENSIONS NOT SHOWN CAN BE OBTAINED FROM THE ASSOCIATED MODEL.
  - GENERAL:
    - APPLICATION SPECIFICATION SEE: N/A  
 -DESIGNED TO MATE WITH INTERFACE DEVICE #999-S-038-3-Z02.  
 \*DENOTES DRAWINGS THAT CAN BE ACCESSED AT <http://ewcop.uscorteam.org/>.
    - PRODUCT SPECIFICATION SEE: N/A  
 THIS PART IS FOR USE WITH THE FOLLOWING TERMINAL SYSTEMS:  
 0.64mm: TYCO PART NUMBERS 0-1393366-1 AND 0-1393367-1  
 2.80mm: YAZAKI PART NUMBER 7116-4152-02  
 CONTACT TERMINAL SUPPLIER FOR APPLICATION DETAILS
    - PACKAGING SPECIFICATION PER MOLEX DRAWING: PK-30907-491
    - PARTS MUST BE IN COMPLIANCE TO MOLEX CHEMICAL SUBSTANCES FOR PRODUCTS AND PACKAGING SPECIFICATION: QEHS-699000-300
    - DATA MUST BE SUBMITTED UNDER THE MOLEX PART NUMBER TO IMDS (COMPANY ID#13255)
  - DESIGN - MATERIALS:
    - SEE BOM TABLE IN SD-31187-0002
  - DESIGN - GEOMETRY:
    - THE 3-D CAD DATA IS BASIC (WITHOUT TOLERANCE) AND MASTER FOR THIS PART WITH THE EXCEPTION OF UNDERLINED DIMENSIONS. DIMENSIONAL INFORMATION NOT SHOWN ON THIS DRAWING IS DEFINED BY THE DATA FILE AT ITS LATEST REVISION.
    - GEOMETRIC DIMENSIONS AND TOLERANCES PER ASME Y14.5M-2009
    - EDGES AND UNDIMENSIONED DETAILS PER ISO13715
    - CORNERS SHOWN AS SHARP TO BE R 0.2 MAX.
    - VISUAL DEFECTS SHALL MEET COSMETIC STANDARD PS-45499-002 (Class B).
  - MUST BE USED WITH WIRE SHIELD - MOLEX PART NUMBER 31192-1000. WIRE SHIELD SHIPPED SEPARATELY.



INSPECTION NUMBER LOG	
LAST NUMBER: 2	A
ADDED:	INITIAL RELEASE
REMOVED:	

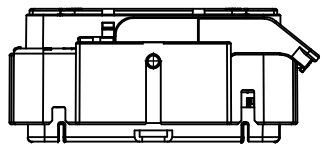
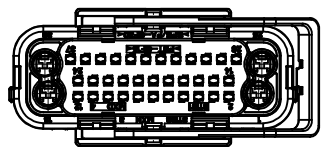
ENTER DESCRIPTION	QUALITY SYMBOLS	GENERAL TOLERANCES (UNLESS SPECIFIED)		DIMENSION STYLE		DRAWN BY	DATE	TITLE
		mm	INCH	MM ONLY	SCALE			
LEC NO: UAU2015-0211	▽=0	4 PLACES ±---	±---	MM ONLY	1.5:1	APROFFITT	2014/08/05	38 WAY ABS RCPT SEALED ASSEMBLY
DRWNAPROFFITT	▽=0	3 PLACES ±---	±---			CRIZZI	2014/08/05	
CHKD:ZUZELSKI	▽=0	2 PLACES ±0.13	±---					
APPR:VKOSHY	▽=0	1 PLACE ±0.25	±---					
		0 PLACE ±---	±---			VKOSHY	2014/08/28	
		ANGULAR ± 1°						
		DRAFT WHERE APPLICABLE MUST REMAIN WITHIN DIMENSIONS						
		SEE NOTE 5a.						
		THIS DRAWING CONTAINS INFORMATION THAT IS PROPRIETARY TO MOLEX INCORPORATED AND SHOULD NOT BE USED WITHOUT WRITTEN PERMISSION						

SCALE	DESIGN UNITS	THIRD ANGLE PROJECTION	REV	REV DESCRIPTION
1.5:1	METRIC			

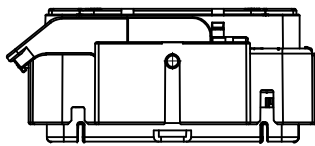
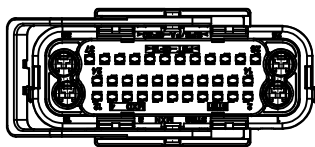
DOCUMENT NO.	SHEET NO.
SD-31187-0001	1 OF 4

**SHEET DESCRIPTION**

CONFIGURATIONS



31187-10XX  
31187-20XX  
COUNTERCLOCKWISE LEVER THROW



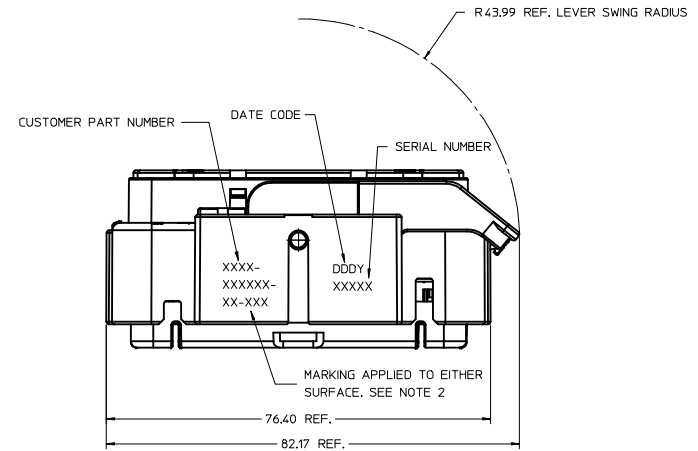
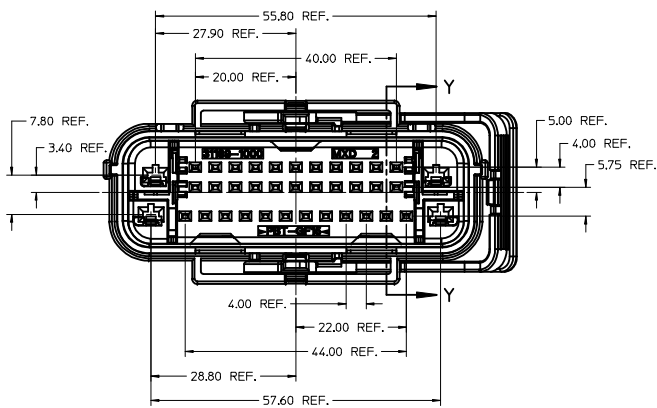
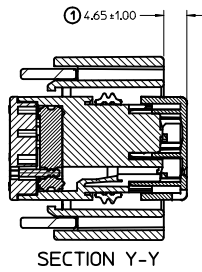
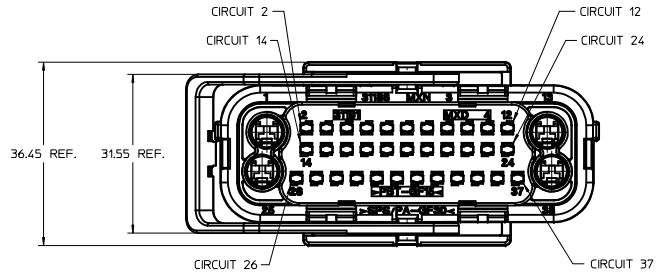
31187-11XX  
31187-21XX  
CLOCKWISE LEVER THROW

<b>ENTER DESCRIPTION</b> EDC NO: UAU2015-0211 DRAWN: APROFFITT 2014/08/05 CHECKED: ZIZELSKI 2014/08/14 APPR: VKOSHY 2014/08/28 A	<b>QUALITY SYMBOLS</b> ∇=0 ∇=0 ∇=0	<b>GENERAL TOLERANCES (UNLESS SPECIFIED)</b>		DIMENSION STYLE <b>MM ONLY</b>	SCALE <b>1.5:1</b>	DESIGN UNITS <b>METRIC</b>	THIRD ANGLE PROJECTION		
		4 PLACES ± --- ± ---	3 PLACES ± --- ± ---	2 PLACES ± 0.13 ± ---	1 PLACE ± 0.25 ± ---	0 PLACE ± --- ± ---	ANGULAR ± 1 °	DRAFT WHERE APPLICABLE MUST REMAIN WITHIN DIMENSIONS	
		DRAWN BY DATE APROFFITT 2014/08/05		CHECKED BY DATE CRIZZI 2014/08/05		APPROVED BY DATE VKOSHY 2014/08/28		MATERIAL NO. <b>SEE NOTE 5a.</b>	DOCUMENT NO. <b>SD-31187-0001</b>
		SIZE: <b>1</b>						SHEET NO. 2 OF 4	

THIS DRAWING CONTAINS INFORMATION THAT IS PROPRIETARY TO MOLEX INCORPORATED AND SHOULD NOT BE USED WITHOUT WRITTEN PERMISSION

**SHEET DESCRIPTION**

RECEPTACLE CONNECTOR ASSEMBLY

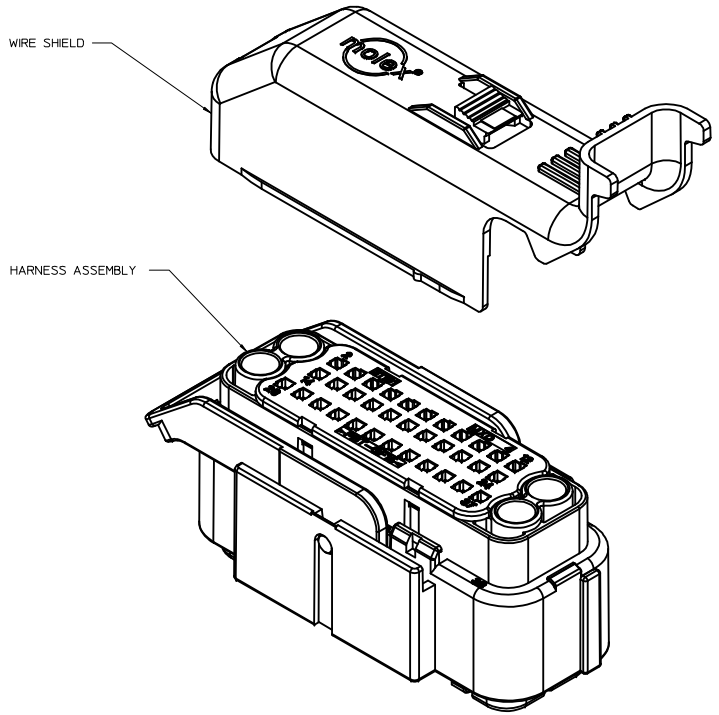
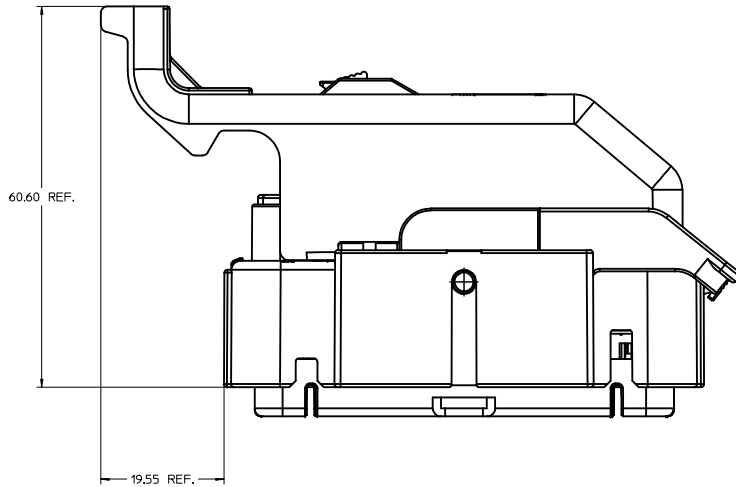


<b>ENTER DESCRIPTION</b> IEC NO: UAU2015-0211 DRW/APPROF/ITT 2014/08/05 CHYK/JZELSKI 2014/08/14 APPR/WKOSHY 2014/08/28	<b>QUALITY SYMBOLS</b> ∇=0 ∇=0 ∇=0	<b>GENERAL TOLERANCES (UNLESS SPECIFIED)</b>		<b>DIMENSION STYLE</b> MM ONLY		SCALE 2:1	DESIGN UNITS METRIC	THIRD ANGLE PROJECTION	
		m/m	INCH	DRAWN BY APPROF/ITT	DATE 2014/08/05	TITLE 38 WAY ABS RCPT SEALED ASSEMBLY			
		4 PLACES ± --- ± ---		CHECKED BY CRIZZI	DATE 2014/08/05	MATERIAL NO. SEE NOTE 5a.			
		3 PLACES ± --- ± ---		APPROVED BY WKOSHY	DATE 2014/08/28	DOCUMENT NO. SD-31187-0001			
2 PLACES ± 0.13 ± ---		ANGULAR ± 1 °		DRAFT WHERE APPLICABLE MUST REMAIN WITHIN DIMENSIONS		SHEET NO. 3 OF 4			
1 PLACE ± 0.25 ± ---		THIS DRAWING CONTAINS INFORMATION THAT IS PROPRIETARY TO MOLEX INCORPORATED AND SHOULD NOT BE USED WITHOUT WRITTEN PERMISSION							
0 PLACE ± --- ± ---									

**SHEET DESCRIPTION**  
WIRE SHIELD

WIRESHIELD NOTES: VALID UNLESS OTHERWISE SPECIFIED

1. GENERAL:  
 a. APPLICATION SPECIFICATION: N/A  
 -WIRE SHIELD (MOLEX PART NUMBER 31192-1000) MUST BE USED WITH HARNESS ASSEMBLY  
 -WIRE SHIELD SHIPPED SEPARATELY  
 -FOR ADDITIONAL INFORMATION SEE THE WIRE SHIELD COMPONENT DRAWING SD-31192-100.



<b>ENTER DESCRIPTION</b> EC NO: UAU2015-021 DRWNG: APROFF ITT 2014/08/05 CHKD: JZUZELSKI 2014/08/14 APPR: VKOSHY 2014/08/28	<b>QUALITY SYMBOLS</b> ∇=0 ∇=0 ∇=0	<b>GENERAL TOLERANCES (UNLESS SPECIFIED)</b>		<b>DIMENSION STYLE</b> MM ONLY		SCALE 2.5:1	DESIGN UNITS METRIC	THIRD ANGLE PROJECTION
		4 PLACES ± --- ± ---	DRAWN BY APROFF ITT	DATE 2014/08/05	TITLE 38 WAY ABS RCPT SEALED ASSEMBLY			
		3 PLACES ± --- ± ---	CHECKED BY CRIZZI	DATE 2014/08/05	<b>molex</b>			
		2 PLACES ± 0.13 ± ---	APPROVED BY VKOSHY	DATE 2014/08/28	DOCUMENT NO. SD-31187-0001	SHEET NO. 4 OF 4		
1 PLACE ± 0.25 ± ---	ANGULAR ± 1 °		SEE NOTE 5a.		THIS DRAWING CONTAINS INFORMATION THAT IS PROPRIETARY TO MOLEX INCORPORATED AND SHOULD NOT BE USED WITHOUT WRITTEN PERMISSION			
0 PLACE ± --- ± ---	DRAFT WHERE APPLICABLE MUST REMAIN WITHIN DIMENSIONS							