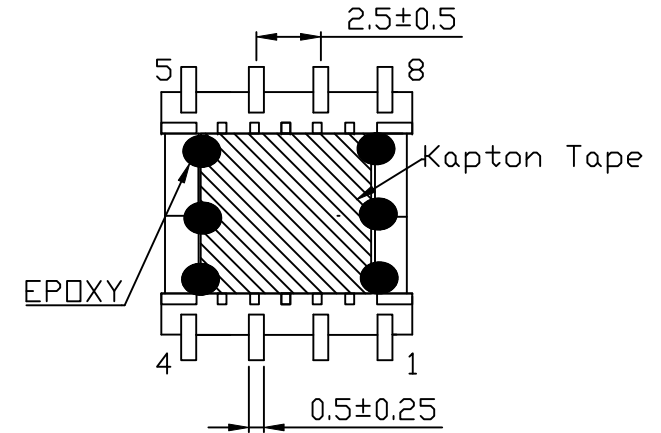
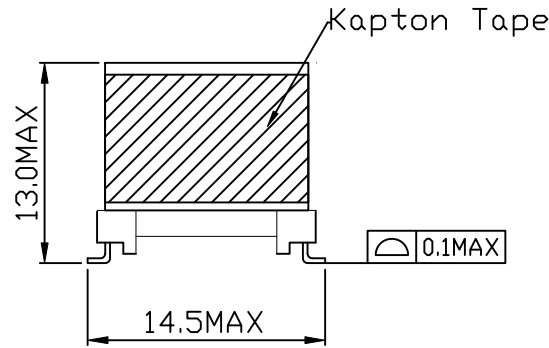
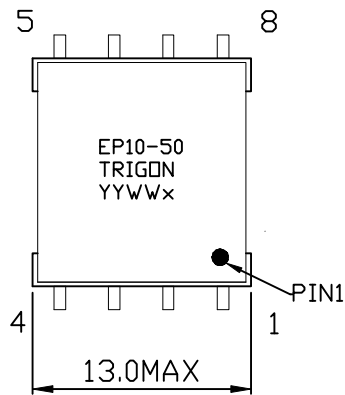


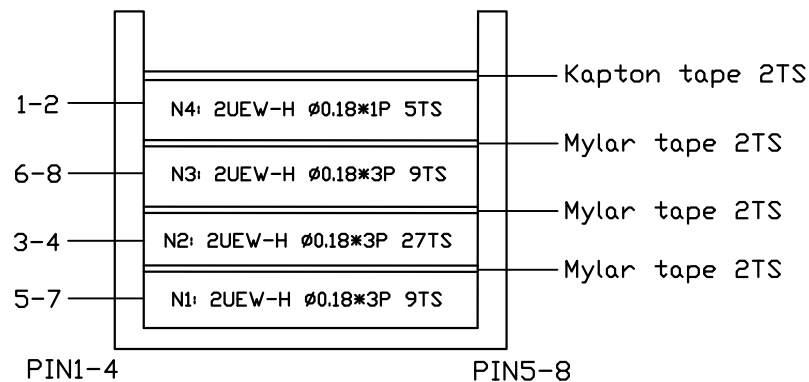
CONFIGURATION & DIMENSIONS: (mm)



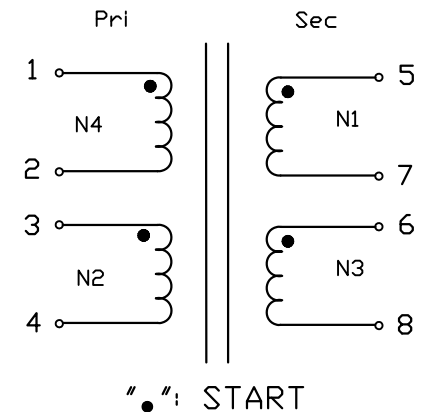
ELECTRICAL SPECIFICATION: @25°C

Inductance: @10KHz/0.1V
 L(3-4): 50uH±10%
 Leakage Inductance: @100KHz/0.1V
 LK(3-4): 5.0uH MAX
 (short other PINS)
 DCR:
 R(3-4): 150mΩ MAX
 R(1-2): 115mΩ MAX
 R(5-7): 62mΩ MAX
 R(6-8): 44mΩ MAX
 HI-POT:
 Pri to Sec: 1850VAC/5mA/1S
 Turns Ratio: @20KHz/1V
 (3-4):(1-2)=1:0.185±5%
 (3-4):(5-7)=1:0.333±5%
 (3-4):(6-8)=1:0.333±5%

WINDING CONSTRUCTION:



SCHEMATIC:



NOTE:

This part is ROHS compliant

TOL UNLESS NOTED				TITLE: TRANSFORMER			PART NO: YEP10S-8P50UH				
.X: ±0.40mm					APPROVED BY	CHECKED BY	DRAWN BY	UNIT	mm	SCALE	NONE
.XX: ±0.25mm					ES	LL	JK	SHEET	1	OF	1
.XXX: ±0.10mm					01	08-31-2018	JK				
ANGLE: ±3.0°				REV	DATE	SIGN	TRIGON COMPONENTS, INC. www.trigoncomponents.com				