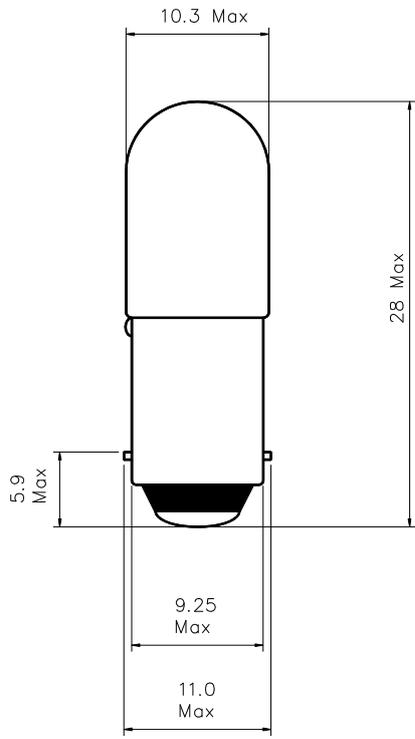


Part Number: W1201

| Type | Size | Rating | Description |
|--------------|------|--------|-----------------------------|
| Incandescent | T10 | 24V 2W | T-3¼ Miniature Bayonet Lamp |



Dimensions in millimetres

| TEST VOLTS | CURRENT (mA) | | | LIGHT OUTPUT (Lm) | | | LIFE Hours |
|------------|--------------|------|------|-------------------|------|------|------------|
| | Min. | Nom. | Max. | Min. | Nom. | Max. | |
| 24 | 75 | 83 | 91 | 4.7 | 6.3 | 7.9 | 10,000 |

Notes:

- 1 **Base Type** BA9s/13 in accordance with IEC61-1, (BS EN 60061-1) sheet 7004-14-x
- 2 **Filament Shape** C-2F
- 3 **Lamp Marking** CML 24V 2W
- 4 **Light Centre Length** 16mm nominal
- 5 **Bead Colour** White or clear
- 6 **Environmental** RoHS & REACH SVHC compliant