

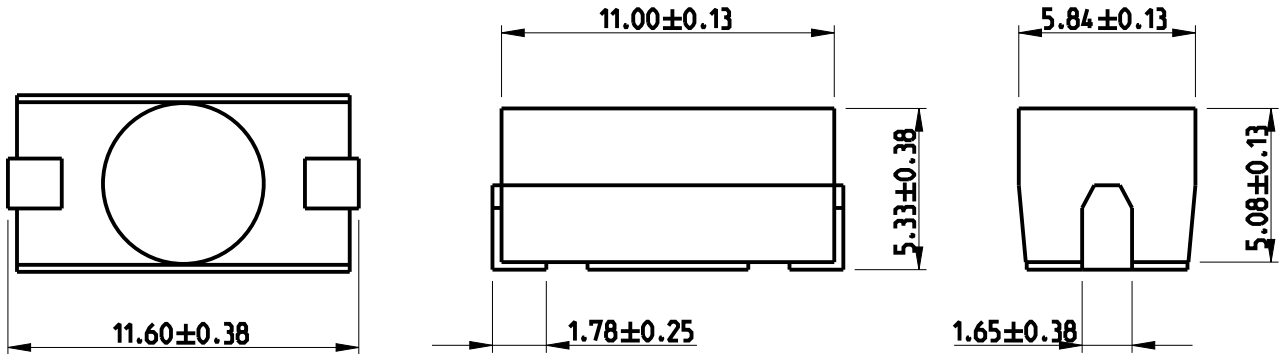
REVISIONS

P	LTR	DESCRIPTION	DATE	DWN	APVD
	BA	NEW RELEASE	10 JULY 2010	PT	SI.P
	BA1	ECR-13-019092	07 DEC 2013	KR	TN
	BB	ECR-14-002163	17 FEB 2014	KR	TN

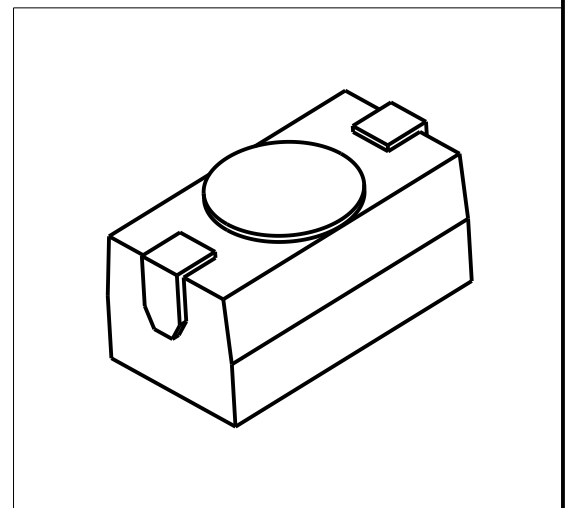
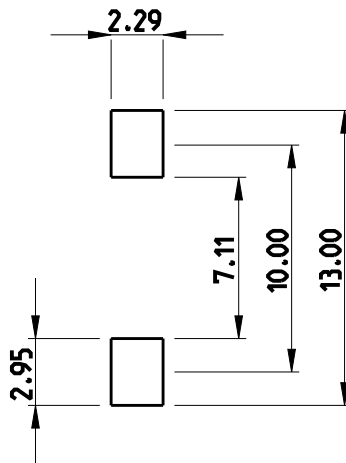
FOR FURTHER INFORMATION SEE DATA SHEET FOR SERIES S - SMD MOULDED POWER RESISTOR

NOTE:

- Terminal Finish - Hot Dipped Sn. Min 5µm



RECOMMENDED LAND PATTERN



2008


RELEASED FOR PUBLICATION

ALL RIGHTS RESERVED.

THIS DRAWING IS UNPUBLISHED.

BY -

© COPYRIGHT 2008

DIMENSIONS: mm		DWN PARUSURAM.T 10 JULY 2010	MATERIAL -	FINISH -			
TOLERANCES UNLESS OTHERWISE SPECIFIED:		CHK ALLAN.P 10 JULY 2010	 <b>TE Connectivity</b>				
0 PLC ±0.2 1 PLC ±0.1 2 PLC ±# 3 PLC ±# 4 PLC ±# ANGLES 35°		APVD STEPHEN.P 10 JULY 2010					
		PRODUCT SPEC -	NAME SMD MOULDED POWER RESISTOR SERIES SP2				
		APPLICATION SPEC -	SIZE A 4	CAGE CODE 00779	DRAWING NO C-1624298	RESTRICTED TO -	
		WEIGHT -	Customer Drawing		SCALE 4:1	SHEET 1 OF 1	REV BB