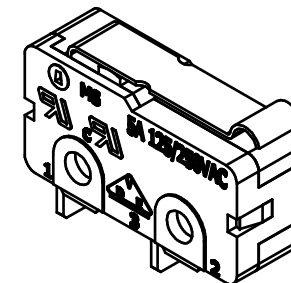
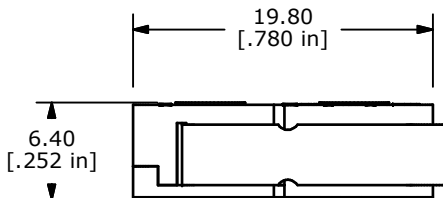
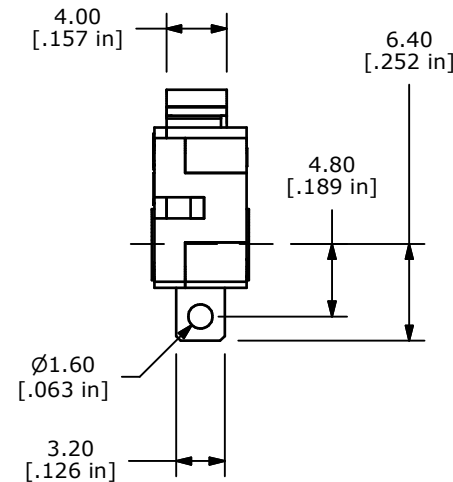
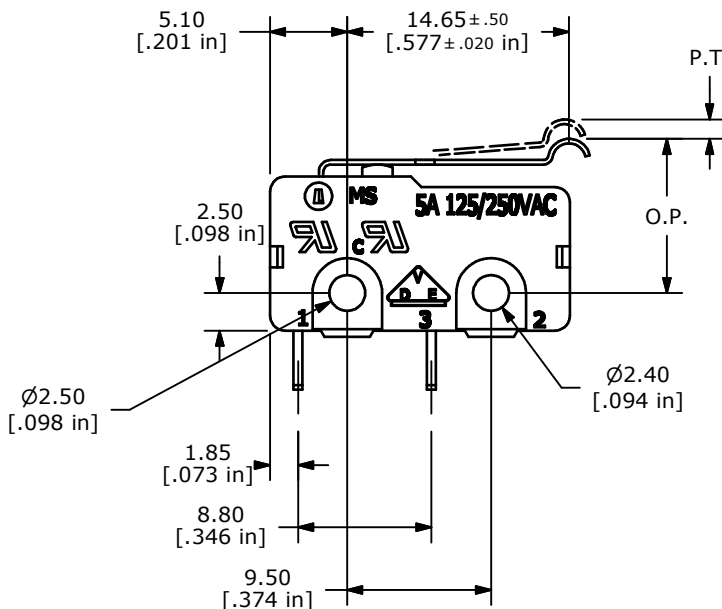
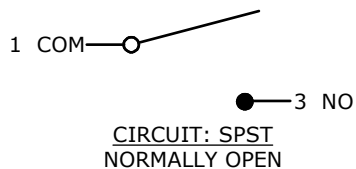


O.P. (MM)	P.T. (MM)
10.9 ± 1.0	3.2 MAX

O.P. = OPERATING POINT  
P.T. = PRE-TRAVEL



ISOMETRIC



- NOTES:
1. ALL DIMENSIONS IN MM [INCH]
  2. GENERAL TOLERANCE: X.X=± 0.4  
X.XX=± 0.25
  3. RATING: 5A @125/250VAC UL, CUL, VDE APPROVED
  - ▲ 4. OPERATING FORCE: 30 ± 12 GRAMS
  5. OPERATING TEMP: -25°C TO 85°C
  6. ELECTRICAL LIFE: 50,000 CYCLES MIN.
  7. MECHANICAL LIFE: 1,000,000 CYCLES TYP.
  8. INSULATION RESISTANCE: 100 MEGA-OHMS
  9. DIELECTRIC STRENGTH: 1000VAC 1 MINUTE (INITIAL VALUE)
  10. CONTACT RESISTANCE: 100 MILLI-OHMS MAX.
  11. ▲ DENOTES CRITICAL PARAMETER.
  12. 2002/95/EC (ROHS) COMPLIANT



TITLE MS0850504F030S1C

A	18597	RELEASED FOR PRODUCTION	8/4/09	BLR
REV	PCR NO	DESCRIPTION	DATE	BY

SCALE	DATE	DR	DWG	REV
2:1	8/4/2009	BLR	Q970105	A

THE INFORMATION CONTAINED IN THIS DOCUMENT IS PROPRIETARY TO E-SWITCH AND IS NOT TO BE COPIED OR TRANSFERRED