



RADIALL®
Fibre Optic Components

TECHNICAL DATA SHEET

F 709 098 XXX

Titre: ST2 MULTIMODE PLUG \varnothing 128 μ m CERAMIC FERRULE CABLE \varnothing 2.7 to 3

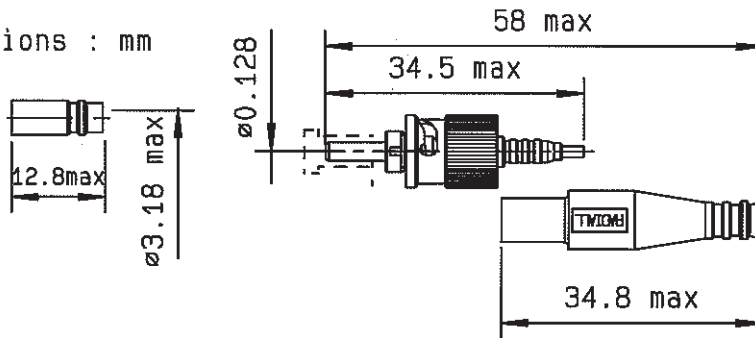
Series
F709

Issue:
06-04-00

Page
1/1

PACKAGING :	SINGLE	F 709 098 000
	PACK OF 100	F 709 098 200

Dimensions : mm



mm to inch : 0.03937

BOOT :
- COLOUR BLACK
- INFLAMMABILITY : V1 (UL94)
- MATERIAL IN ACCORDANCE WITH BELLCORE GR 326 CORE Issue 2, par. 3.3.1

BODY :
- BRASS
- NICKEL PLATED

GENERAL

- TYPE :** - IEC 1754-2 Type BFOC/2.5 - "ST2"
- Ceramic Zirconia ferrule 20 mm pre-radius
- Bayonet latching system
- FIBRE :** - Multimode 62.5/125
- CABLE :** - Cable \varnothing 2.7 to 3 mm (Hex. 3.84)
- WIRING :** ASSEMBLY PROCEDURE 503 08 390
- For a tight cable \varnothing 3 with aramid strength member and a coated fiber \varnothing 0.9 :
----- See procedure F709PC39
- For a loose cable \varnothing 3 with aramid strength member, a tube \varnothing 0.6/1 and a coated fiber \varnothing 0.25 :-----See procedure F709PC38

CHARACTERISTICS

(Depending on fibre or cable construction)

- OPTICAL:** Typical insertion loss (IEC 1300-3-4, Methode B or CECC 86000 Methode 7) with adaptor F709730000 at 850 nm.
- Typical : 0.25 dB
- Standard deviation : 0.08 dB
- Reproducibility ; 0.05 dB
- Return loss (IEC 61300-3-6 Methode B or CECC Methode 3, OTDR) :
- >30 dB (PC)
- MECHANICAL :** - Mating life : 500 mating cycles
- Fibre retention : 5 N
- Cable retention : 100 N
- Jacket retention : 10 N (depending of the material)
- Vibrations : 10-55Hz, 1.5 mm

ENVIRONMENTAL:- Climatic category : 25/70/4 0.2 dB

CREATION					
N°	: EPF 9752-2	06-04-00	Change protective cap	LAHERA	
Name	: BECAVIN K.	03-17-99	ASSEMBLY PROCEDURE REFERENCE	VALENCIA	
Date	: 08-11-98	08-11-98	First issue	VALENCIA	
Verif.:	: VALENCIA	Issue	Revisions	Name	Approved