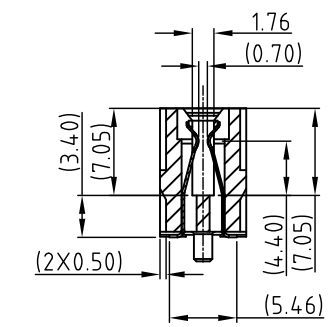
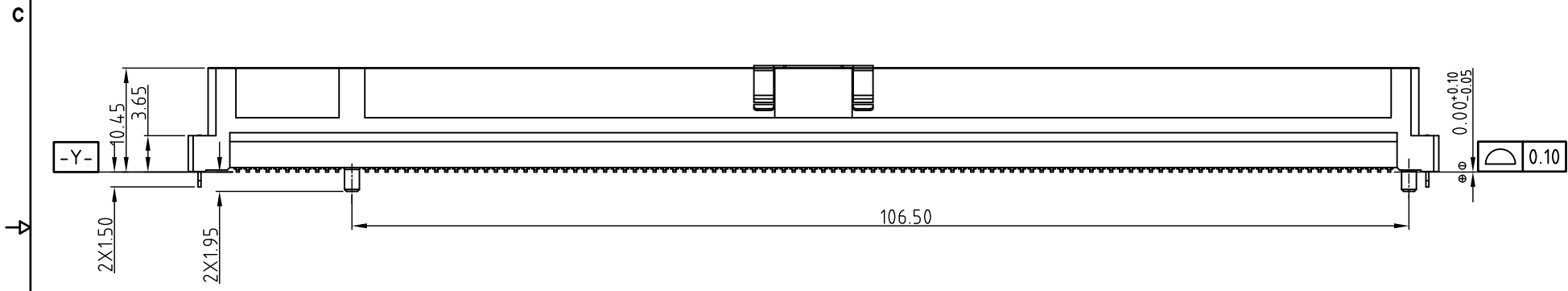
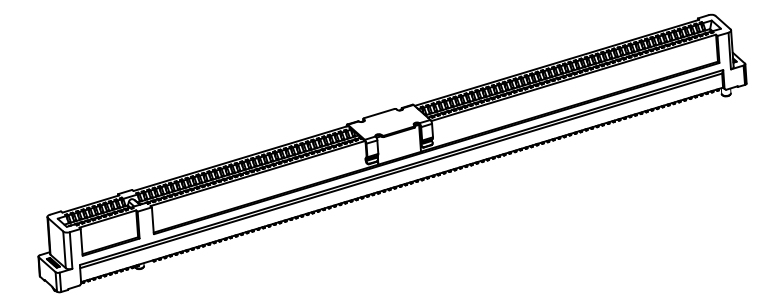
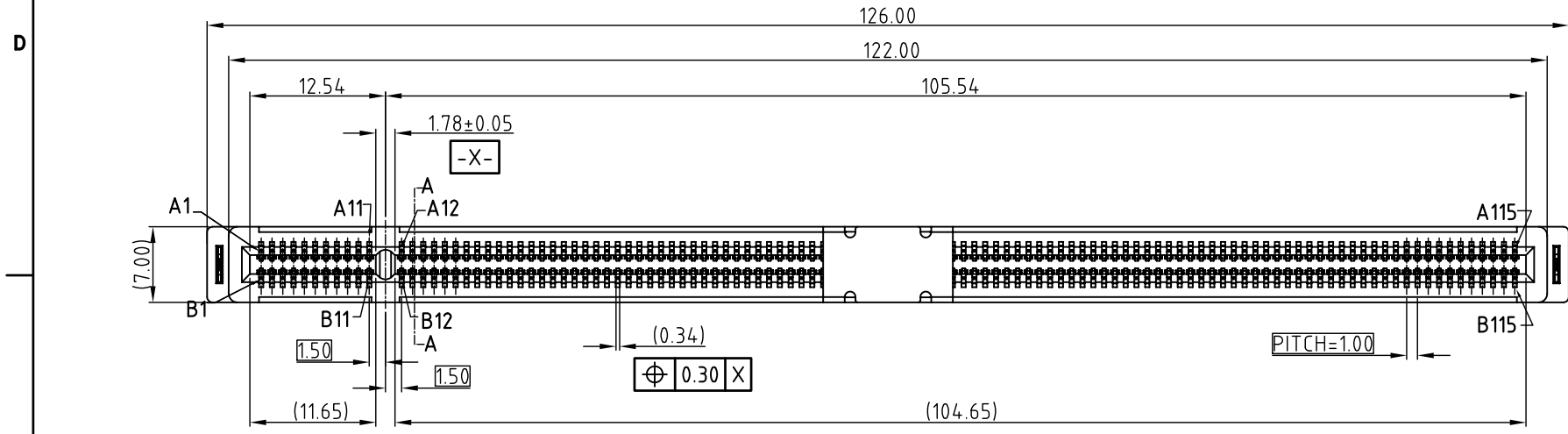


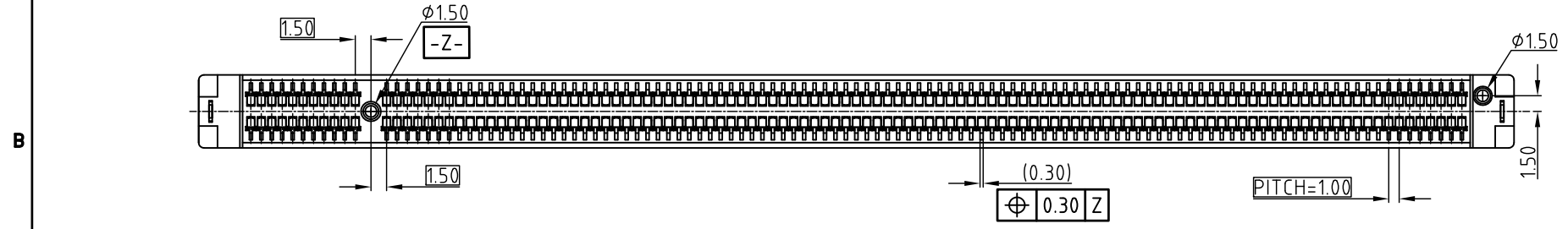
This document is the property of Amphenol Corporation and is delivered on the express condition that it is not to be disclosed, reproduced or used, in whole or in part, for manufacture or sale by anyone other than Amphenol Corporation without its prior consent, & that no right is granted to disclose or to use any information in this document.

CUSTOMER DRAWING

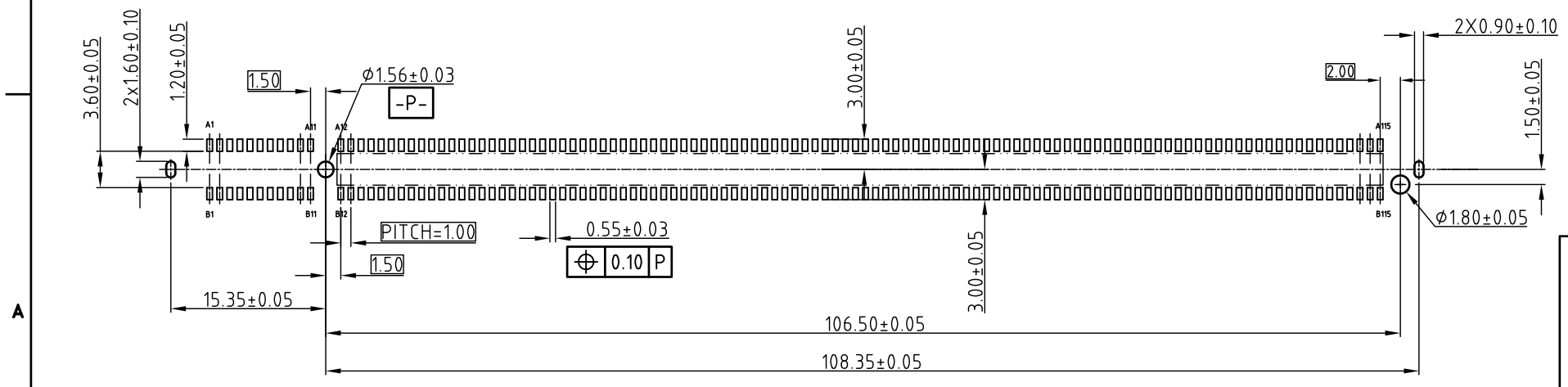
REVISIONS				
SYM	ECN	DESCRIPTION	DATE	APPROVED
1	CD1591	FIRST RELEASE	Oct.12,2018	YH
2	CDXXXX	Update	Feb.28,2019	YH



PART NUMBER SYSTEM
 CEE0230001403X X
 — PLATING SPEC
 1 0.76um Au
 2 0.38um Au
 3 GOLD FLASH
 — Speed
 0 32Gbps
 1 16Gbps
 — Solder tails:
 1 STD tail and soft tray
 2 STD tail
 3 Short tail
 — PIN COUNT
 230



- NOTE:
- MATERIAL:
 HOUSING: HIGH TEMPERATURE THERMOPLASTIC BLACK UL94-V0
 CONTACT: COPPER ALLOY
 BOARDLOCK: SPCC
 - PLATING:
 CONTACT: MATING AREA: SEE PLATING SEPC OVER 1.27-2.54 UM NICKEL UNDERPLATED
 SOLDER AREA: 1.27 MIN TIN OVER 1.27-2.54 UM NICKEL UNDERPLATED
 BOARDLOCK: 1.27 MIN TIN OVER 1.27-2.54UM NICKEL UNDERPLATED
 - ELECTRICAL PERFORMANCE:
 RATED CURRENT FOR SIGNAL PIN: 0.7A/PIN;
 RATED CURRENT FOR Power Pin:1.1A/pin(total:8pin Include:A2/A3/A9/A10/B1/B2/B3/B8).
 - PRODUCT SHALL MEET ALL DIMENSIONS BEFORE EXPOSURE TO 260°C MAX. FOR 10S.
 - MATERIAL SHOULD BE FULFILLED AMPHENOL SPEC # SSN002
 - ORDERING PN: REFER TO THE PN SYSTEM
 - 25~32Gbps: THE ECB CONNECTS ALL GND PIN.
 16Gbps max: DO NOT HAVE TO CONNECTS ALL GND PIN
 - MOISTURE SENSIVITY LEVEL:1.



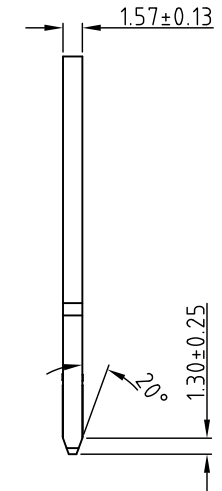
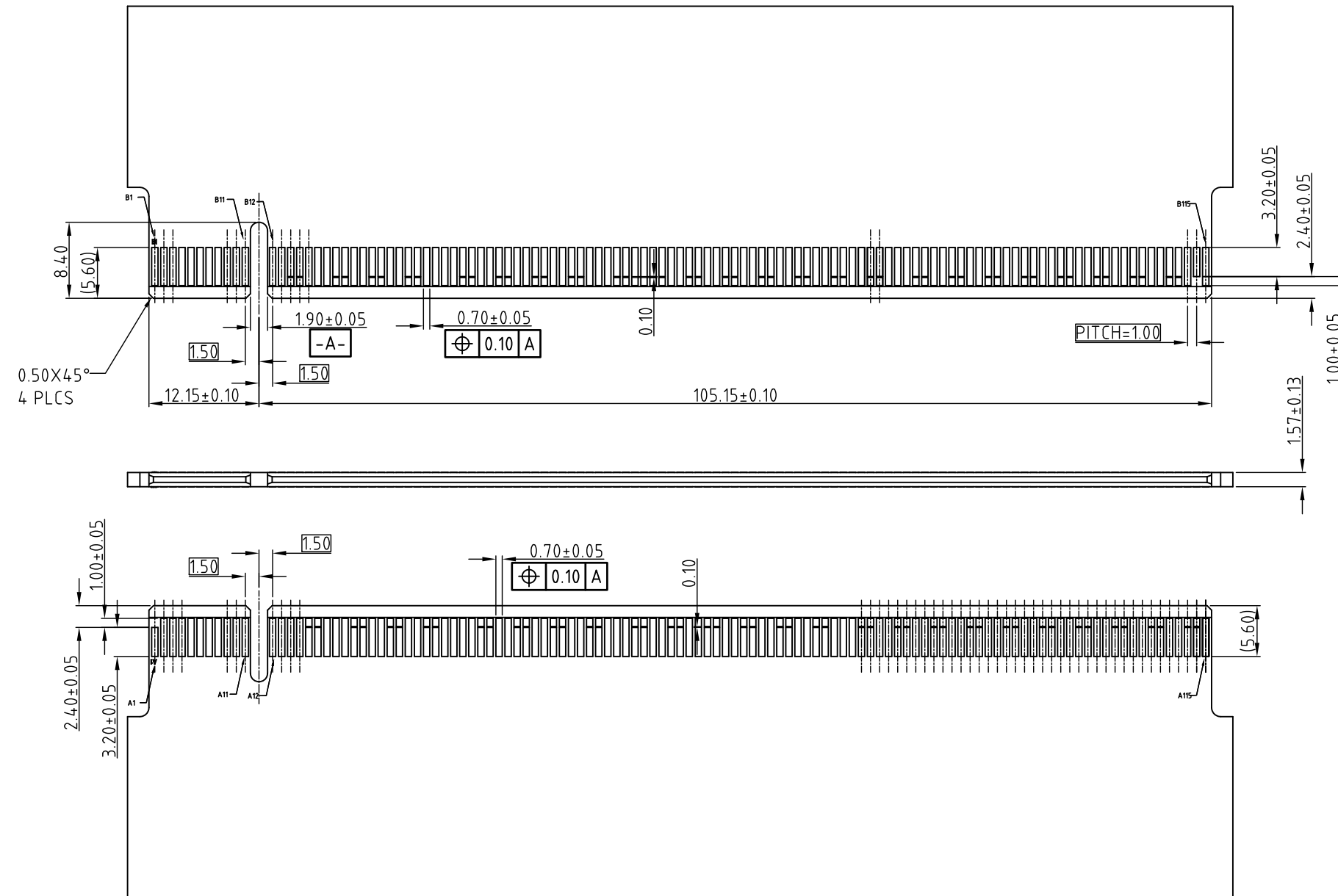
RECOMMENDED LAYOUT FOR SOLDER PCB
 GENERAL TOLERANCE ±0.05

UNLESS OTHERWISE SPECIFIED TOLERANCES U.S. METRIC .X +/- 0.25 .XX +/- 0.20 .XXX +/- 0.15 FRACTIONS +/- ANGLES +/- 5°	APPROVAL	DATE	Amphenol
	DRAWN Xg.Ilu	Feb.28,2019	
FOR MATERIALS AND FINISHES SEE NOTES	CHECKED		TITLE Cool Edge 32&16Gbps 1.0mm Pitch X24 Short
REMOVE SHARP EDGES	APPROVED		
DIMENSIONS	DRAWING FILE :		SIZE
—U.S.— INCHES	INTERNAL\DRAWING\CE\C CEE0230001403XX		DRAWING NO.
(METRIC) (mm)	ANGLE OF PROJECTION		A3C CEE0230001403XX
			REV.
			2
			SCALE
			NONE
			SHEET 1 OF 2

This document is the property of Amphenol Corporation and is delivered on the express condition that it is not to be disclosed, reproduced or used, in whole or in part, for manufacture or sale by anyone other than Amphenol Corporation without its prior consent, & that no right is granted to disclose or to use any information in this document.

CUSTOMER DRAWING

REVISIONS				
SYM	ECN	DESCRIPTION	DATE	APPROVED
		SEE SHEET 1		



RECOMMENDED LAY OUT FOR MATING CARD, THICKNESS=1.57mm
GENERAL TOLERANCE ±0.05



UNLESS OTHERWISE SPECIFIED TOLERANCES U.S. METRIC .X +/- 0.25 .XX +/- 0.20 .XXX +/- 0.15 FRACTIONS +/- ANGLES +/- 5° FOR MATERIALS AND FINISHES SEE NOTES REMOVE SHARP EDGES DIMENSIONS U.S. INCHES (METRIC) (mm)	APPROVAL DRAWN Xg.Ilu CHECKED APPROVED		DATE Feb.28,2019	Amphenol	
	DRAWING FILE : INTERNAL\DRAWING\CE\C CEE0230001403XX		TITLE Cool Edge 32&16Gbps 1.0mm Pitch X24 Short		
	ANGLE OF PROJECTION 		SIZE A3C	DRAWING NO. CEE0230001403XX	REV. 2
			SCALE NONE	SHEET 2 OF 2	