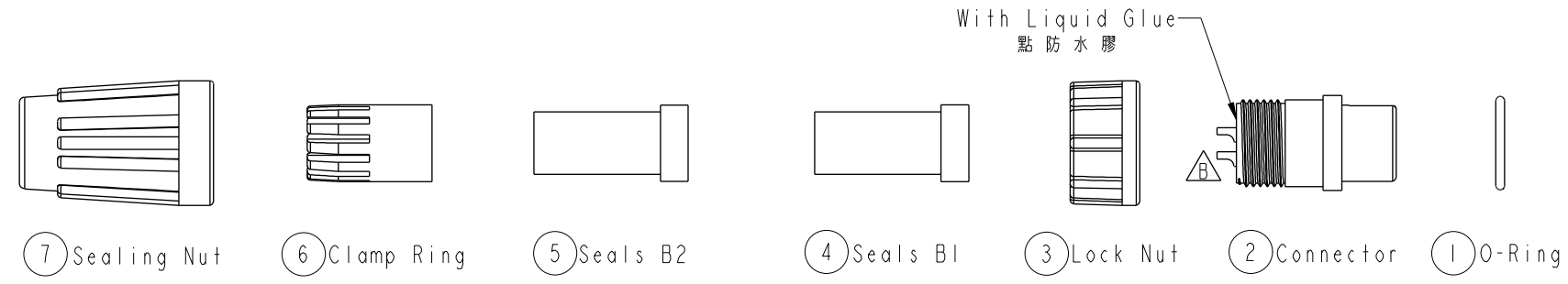


THIS DOCUMENT IS SUBJECT TO CHANGE WITHOUT NOTICE. IT IS CONFIDENTIAL AND A PROPERTY OF AMPHENOL LTW. DISCLOSURE TO THIRD PARTY HAS TO BE AUTHORIZED BY AMPHENOL LTW.

REV.	ECN NO.	DATE	SIGN	DESCRIPTION
B	LEN-0C0553	2010/11/26	Ivan	Change View

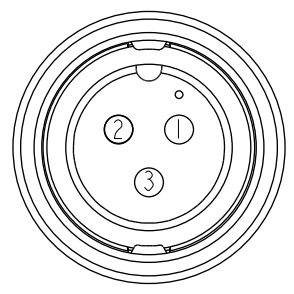
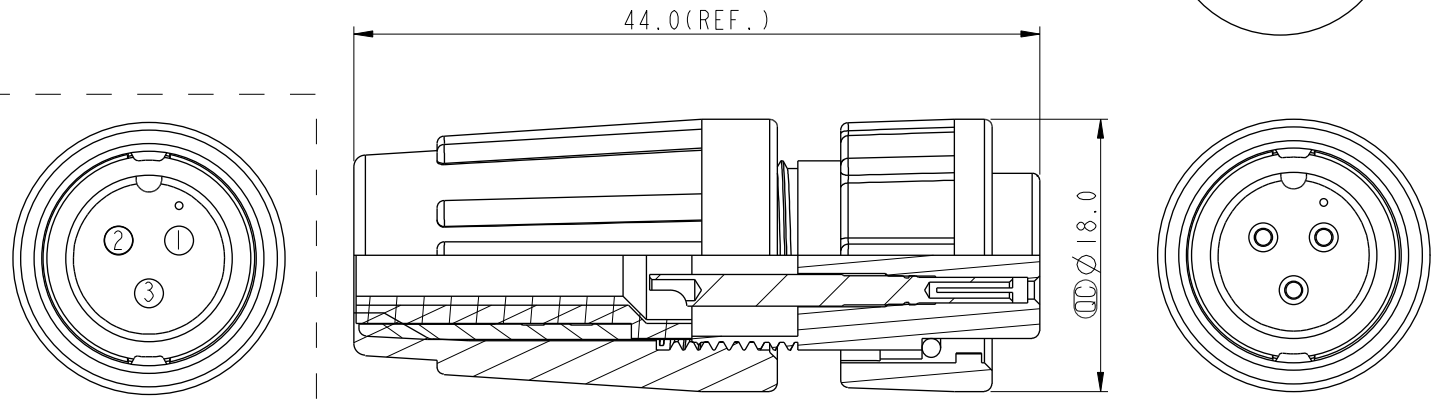


ALTW
DCC. DEPT.
CONFIDENTIAL
2012-03-26
ISSUED

ALTW
CONFIDENTIAL
2012-03-15
R&D DEPT.

Note:

- * \varnothing Important Dimension.
- * Waterproof Rate : IP66
- * Housing: Black, Nylon+GF
- * Female Pin: Copper Alloy, Gold Plated
- * Lock Nut: Black, Nylon+GF
- * O-Ring: EPDM, Black
- * Seals: EPDM, Black
- * Clamping Ring: Nylon, Black
- * Sealing Nut: Nylon, Black
- * Seals B1 for Cable OD: $\varnothing 4.5\text{mm} \sim \varnothing 6.5\text{mm}$
(防水墊圈B1線徑: $\varnothing 4.5\text{mm} \sim \varnothing 6.5\text{mm}$)
- * Seals B2 for Cable OD: $\varnothing 3.5\text{mm} \sim \varnothing 5.3\text{mm}$
(防水墊圈B2線徑: $\varnothing 3.5\text{mm} \sim \varnothing 5.3\text{mm}$)
- * One Set Unassembled in One PE Bag
(每一組未組裝, 放置於一個PE袋, 並封口)
- * PE Bag: 90mm*85mm



Pin Assignments
Front View 前視圖

UNIT: mm		TITLE Standard, Assy Lock 3Pin F Conn F Pin			ITEM NO. BD-03BFFA-LL6001	DRAWN BY SamChang	DATE 2012-03-15			
		TOLERANCE .X ±0.25 .XX ±0.1 .XXX ±0.05 ANGLES ±1°			SCALE 1:1	SIZE A4	SHEET 1 OF 1	DWG NO. BD-03BFFA-LL6001	CHECKED BY Jeffrey	DATE 2012-03-26
		REV. B	WC-REV. A.2	Inspection item	CUSTOMER ALTW		APPROVED BY Kevin	DATE 2012-03-26		

Amphenol LTW
安費諾亮泰企業股份有限公司