



Rayovac Stock Number: 813, 813 OEM

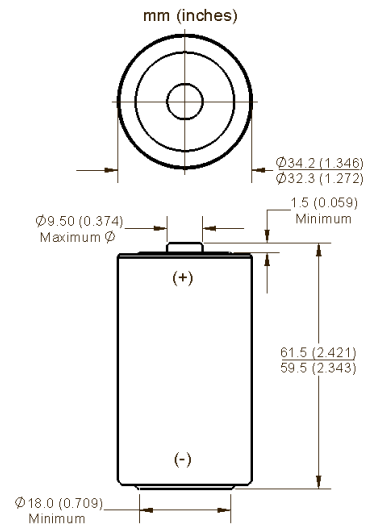
Name: 13A/AC D Alkaline Battery

Specifications

| | |
|----------------------------|--|
| Chemistry: | Alkaline (Zinc-Manganese Dioxide) |
| Designation: | ANSI – 13A/AC, IEC – LR20 |
| Nominal Voltage: | 1.5 volts |
| Approximate Weight: | 4.7 Oz (133.6 grams) |
| Approximate Volume: | 3.0 CU IN (48.9 cc) |
| Operating Temp: | -30°C to 55°C (-20°F to 130°F) |
| Shelf Life: | 10 years at 21°C |
| Terminals: | Flat Contact |
| Case material: | Plastic Film |
| Environmental: | No mercury added formulation. Meets Environmental Protection Agency (EPA) requirements for landfill disposal. |

[Rayovac Material Safety Sheets](#)

IEC Standard Dimensions



Typical Service Life – ANSI Application Tests

| Application and Duty Cycle | Discharge Load | Service |
|---|----------------|-------------|
| Stereo 2 hr/day | 600 mA | 17.7 hours |
| Lighting 1 4 min/15 min, 8 hr/day | 1.5 Ω | 15.4 hours |
| Toy 1 hr/day | 3.9 Ω | 25.7 hours |
| Radio 4 hr/day | 10 Ω | 123.9 hours |
| Lighting 2 4 min/hr, 8 hr/day | 2.2 Ω | 25.3 hours |

Discharge Curves (Continuous Load)

