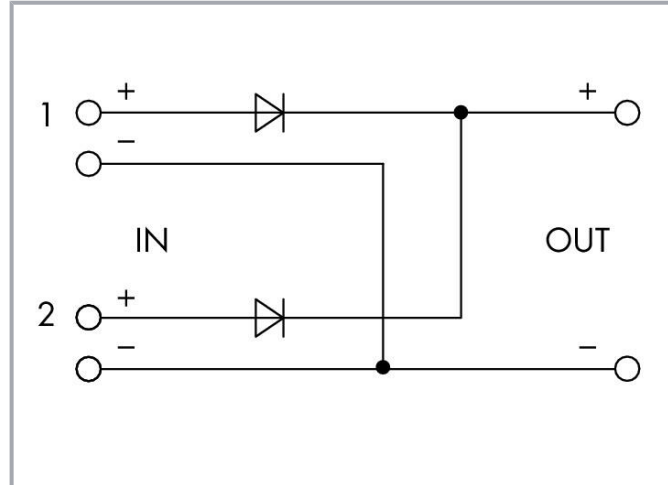


## Data sheet | Item number: 787-886

Redundancy Module; 2 x 48 VDC input voltage; 2 x 20 A input current; 48 VDC output voltage; 40 A output current; communication capability; 10,00 mm<sup>2</sup>

[www.wago.com/787-886](http://www.wago.com/787-886)



## Item description

### Features:

- Redundancy module with two inputs decouples two power supplies
- For redundant and fail-safe power supply
- With LED and potential-free contact for input voltage monitoring on site and remotely

Subject to changes. Please also observe the further product documentation!

WAGO GmbH & Co. KG  
Hansastr. 27  
32423 Minden  
Phone: +49571 887-0 | Fax: +49571 887-169  
Email: [info.de@wago.com](mailto:info.de@wago.com) | Web: [www.wago.com](http://www.wago.com)

Do you have any questions about our products?  
We are always happy to take your call at +49 (571) 887-44222.



## Data

### Technical data

#### Input

Nominal input voltage $U_{i\text{ nom}}$	2 x DC 48 V
Input voltage range	2 x DC 36 ... 54 V
Nominal mains frequency range	0 Hz
Input current $I_i$	$\leq 20$ A (per path); $\leq 40$ A (in total)

#### Output

Nominal output voltage $U_{o\text{ nom}}$	DC 48 V
Output voltage range	DC 36 ... 54 V ( $U_e$ - voltage drop)
Voltage drop	$\leq 1$ V (Input/output)
Nominal output current $I_{o\text{ nom}}$	20 A (redundancy operation); 40 A (parallel operation)
Nominal output power	1920 W

#### Signaling and Communication

Signaling	1 x OUT LED (green) 1 x IN1 LED (yellow) 1 x IN2 LED (yellow)
Operation status indicator	Green LED ( $U_o$ ) 2 x Yellow LED ( $U_i$ )

#### Efficiency/power losses

Power loss $P_i$	$\leq 1.7$ W (48 VDC; No load); $\leq 20$ W (48 VDC; 20 A); $\leq 40$ W (48 VDC; 40 A)
Efficiency (typ.)	96 %

#### Circuit protection

Internal fuse	No
---------------	----

#### Safety and protection

Protection class	III
Protection type	IP20; per EN 60529

Subject to changes. Please also observe the further product documentation!



Reverse voltage protection	Yes
Pollution degree	2
Parallel operation	Yes
Series operation	Yes
MTBF	> 500,000 h (per IEC 61709)

### Connection data

Connection type 1	Input/output
Connection technology	Push-in CAGE CLAMP®
WAGO connector	WAGO 831 Series
Solid conductor	0.5 ... 10 mm <sup>2</sup> / 20 ... 8 AWG
Fine-stranded conductor	0.5 ... 10 mm <sup>2</sup> / 20 ... 8 AWG
Strip length	13 ... 15 mm / 0.51 ... 0.59 inches
Connection type 2	Relay
Connection technology 2	CAGE CLAMP®
WAGO connector 2	WAGO 231 Series
Solid conductor 2	0.08 ... 2.5 mm <sup>2</sup> / 28 ... 12 AWG
Fine-stranded conductor 2	0.08 ... 2.5 mm <sup>2</sup> / 28 ... 12 AWG
Strip length 2	8 ... 9 mm / 0.31 ... 0.35 inches

### Physical data

Width	40 mm / 1.575 inches
Height	181 mm / 7.126 inches
Depth from upper-edge of DIN-rail	163 mm / 6.417 inches
Note (dimensions)	Height with connector Height with connector

### Mechanical Data

Mounting type	DIN-35 rail
---------------	-------------

### Material Data

Weight	860 g
--------	-------

### Environmental requirements

Ambient temperature (operation)	-10 ... +60 °C
Ambient temperature (storage)	-25 ... +85 °C

Subject to changes. Please also observe the further product documentation!

Relative humidity	5 ... 96 % (no condensation permissible)
-------------------	--

## Standards and specifications

Conformity marking	CE
Standards/specifications	EN 60950 EN 61000-6-2 EN 61000-6-3
Standards/specifications (pending)	UL 60950 UL 508

## Commercial data


Product Group	6 (INTERFACE ELECTRONIC)
eCl@ss 10.0	27-04-07-01
eCl@ss 9.0	27-04-07-01
ETIM 8.0	EC002540
ETIM 7.0	EC002540
PU (SPU)	1 pcs
Packaging type	Box
Country of origin	DE
GTIN	4050821262725
Customs tariff number	85049017000

## Environmental Product Compliance

RoHS Compliance Status	Compliant, No Exemption
------------------------	-------------------------

## Approvals / Certificates

### General approvals

Logo	Approval	Additional Approval Text	Certificate name
	EAC Brjansker Zertifizierungsstelle	TP TC 020/2011	EAC_Certificate_RU_C- DE.AM02.B.00115_19

### Declarations of conformity and manufacturer's declarations

Logo	Approval	Additional Approval Text	Certificate name
	EU-Declaration of Conformity WAGO GmbH & Co. KG	-	-

Subject to changes. Please also observe the further product documentation!

WAGO GmbH & Co. KG  
Hansastr. 27  
32423 Minden  
Phone: +49571 887-0 | Fax: +49571 887-169  
Email: [info.de@wago.com](mailto:info.de@wago.com) | Web: [www.wago.com](http://www.wago.com)

Do you have any questions about our products?  
We are always happy to take your call at +49 (571) 887-44222.



## Optional accessories

### Mounting adapter

#### Wall-mount adapter



**Item no.: 787-895**

Mounting carrier; for screw fixing of 787-8xx devices on mounting plate or wall without DIN 35 rail

[www.wago.com/787-895](http://www.wago.com/787-895)

#### DIN-rail adapter



**Item no.: 787-897**

Carrier rail adapter made of zinc die-cast; for mounting 787-8xx devices to a DIN 35 rail

[www.wago.com/787-897](http://www.wago.com/787-897)



**Item no.: 787-896**

Carrier rail adapter; for mounting 787-8xx devices to a DIN 35 rail

[www.wago.com/787-896](http://www.wago.com/787-896)

### Marking accessories

#### Marking strip



**Item no.: 2009-110**

Marking strips; for Smart Printer; on reel; not stretchable; plain; snap-on type; white

[www.wago.com/2009-110](http://www.wago.com/2009-110)



**Item no.: 210-831**

Marking strips; on reel; 2.3 mm wide; plain; Self-adhesive; white

[www.wago.com/210-831](http://www.wago.com/210-831)



**Item no.: 210-832**

Marking strips; on reel; 3 mm wide; plain; Self-adhesive; white

[www.wago.com/210-832](http://www.wago.com/210-832)

#### Marker



**Item no.: 2009-145**

Mini-WSB Inline; for Smart Printer; 1700 pieces on roll; stretchable 5 - 5.2 mm; plain; snap-on type; white

[www.wago.com/2009-145](http://www.wago.com/2009-145)



**Item no.: 2009-115**

WMB-Inline; for Smart Printer; 1500 pieces on roll; stretchable 5 - 5.2 mm; plain; snap-on type; white

[www.wago.com/2009-115](http://www.wago.com/2009-115)



**Item no.: 248-501**

Mini-WSB marking card; as card; not stretchable; plain; snap-on type; white

[www.wago.com/248-501](http://www.wago.com/248-501)



**Item no.: 793-501**

WMB marking card; as card; not stretchable; plain; snap-on type; white

[www.wago.com/793-501](http://www.wago.com/793-501)

**Item no.: 793-5501**

Subject to changes. Please also observe the further product documentation!

WAGO GmbH & Co. KG

Hansastr. 27

32423 Minden

Phone: +49571 887-0 | Fax: +49571 887-169

Email: [info.de@wago.com](mailto:info.de@wago.com) | Web: [www.wago.com](http://www.wago.com)

Do you have any questions about our products?

We are always happy to take your call at +49 (571) 887-44222.



WMB marking card; as card; for terminal block width 5 - 17.5 mm; stretchable 5 - 5.2 mm; plain; snap-on [www.wago.com/793-5501](http://www.wago.com/793-5501)  
type; white

**Tool**

Operating tool



**Item no.: 210-721**

Operating tool; Blade: 5.5 x 0.8 mm; with a partially insulated shaft; multicoloured

[www.wago.com/210-721](http://www.wago.com/210-721)



**Item no.: 210-720**

Operating tool; Blade: 3.5 x 0.5 mm; with a partially insulated shaft; multicoloured

[www.wago.com/210-720](http://www.wago.com/210-720)

**Downloads**

**Documentation**

**Bid Text**

787-886 X81 - Datei	2019 Jul 15	xml 6.2 kB	Download
------------------------	-------------	---------------	----------

787-886 docx - Datei	2019 Jul 15	docx 22.8 kB	Download
-------------------------	-------------	-----------------	----------

**Instruction Leaflet**

Redundanzmodul DC 48 V, 2x20 A, 1x40 A		pdf 278.8 kB	Download
---	--	-----------------	----------

**Additional Information**

Disposal and Recycling Electrical and electronic equipment, Batteries, Packaging	V 1.1.0 2022 Aug 18	pdf 2.2 MB	Download
---	------------------------	---------------	----------

**CAD/CAE-Data**

**CAE data**

EPLAN Data Portal 787-886		URL	Download
---------------------------	--	-----	----------

WSCAD Universe 787-886		URL	Download
------------------------	--	-----	----------

Subject to changes. Please also observe the further product documentation!



## Environmental Product Compliance

### Compliance Search

Environmental Product Compliance 787-886

URL

Download

Redundancy Module; 2 x 48 VDC input voltage; 2 x 20 A input current; 48 VDC output voltage; 40 A output current; communication capability; 10,00 mm<sup>2</sup>

---

## Installation Notes

Subject to changes. Please also observe the further product documentation!

---

WAGO GmbH & Co. KG

Hansastr. 27

32423 Minden

Phone: +49571 887-0 | Fax: +49571 887-169

Email: [info.de@wago.com](mailto:info.de@wago.com) | Web: [www.wago.com](http://www.wago.com)

Do you have any questions about our products?

We are always happy to take your call at +49 (571) 887-44222.