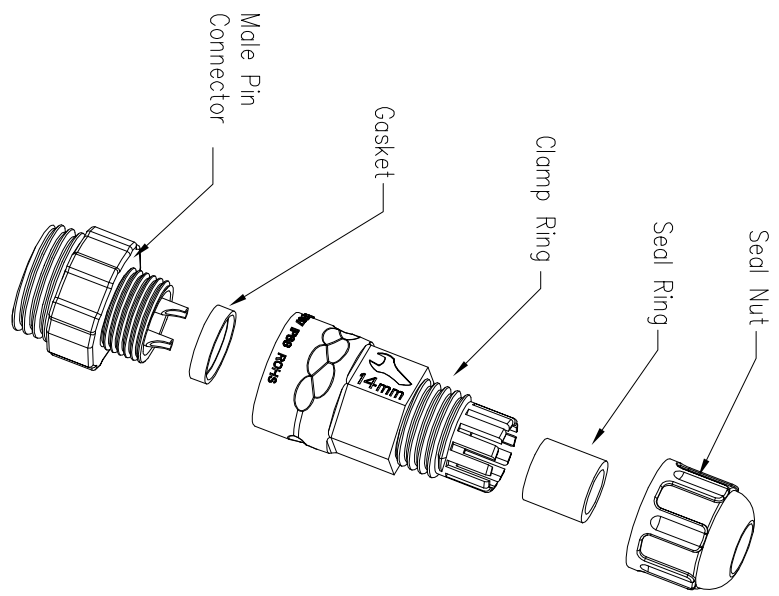
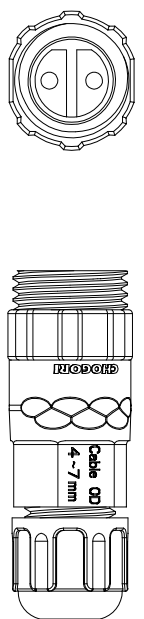
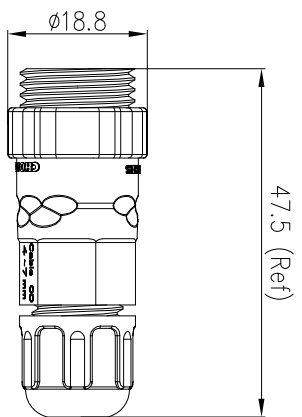
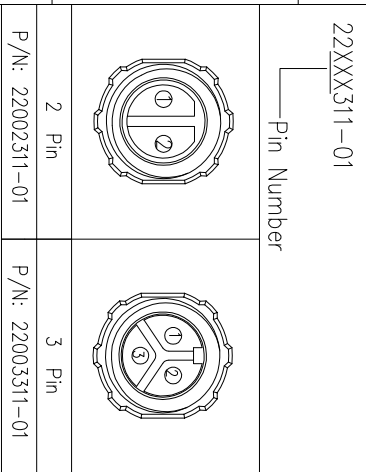


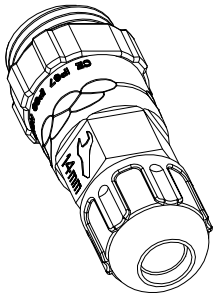
REV.	EN. NO.	DESCRIPTION	SIGN	DATE
C1	N/A	INITIAL DRAWING	Liu	2019/08/13



- Specification:
1. Operation Temperature: $-45^{\circ}\text{C} \sim 105^{\circ}\text{C}$.
 2. Insulation Resistance: $100\text{M}\Omega$ at DC500V.
 3. Contact Resistance: $<10\text{m}\Omega$.
 4. Withstand Voltage: 2000V AC
 5. Operating Current: 10A
 6. Operating Voltage: AC 300V
 7. Waterproof Rate: IP67 (Mated)
 8. Seal Nut: Nylon, Black
 9. Seal Ring: Silicon, Black.
 10. Clamp Ring: Nylon, Black
 11. Gasket: Silicon, Red
 12. Male Pin: Copper Alloy, Gold Plated
 13. Connector: Nylon+GF, Black
 14. RoHS Compliant.
 15. UL Compliant.
 16. Cable Range OD: $\phi 3.5\text{mm} \sim \phi 6.8\text{mm}$
 17. Mating Cap: 806-00060-01



UNIT: mm	DESCRIPTION
TOLERANCE X XX XXX ANGLES	Standard Series Screw Female Plug With Male Pin
±0.25 ±0.15 ±0.05 ±1°	SCALE: 1:1
	SIZE: A4
	SHEET: 1 OF 1
	REV: C1
	* : Inspection Item



PART NO	22XXX311-01	DRAWN BY	Liu	DATE	2019/08/13
DWG NO		CHECKED BY	Mo	DATE	2019/08/13
CUSTOMER		APPROVED BY	Panison	DATE	2019/08/13

CHOGORI