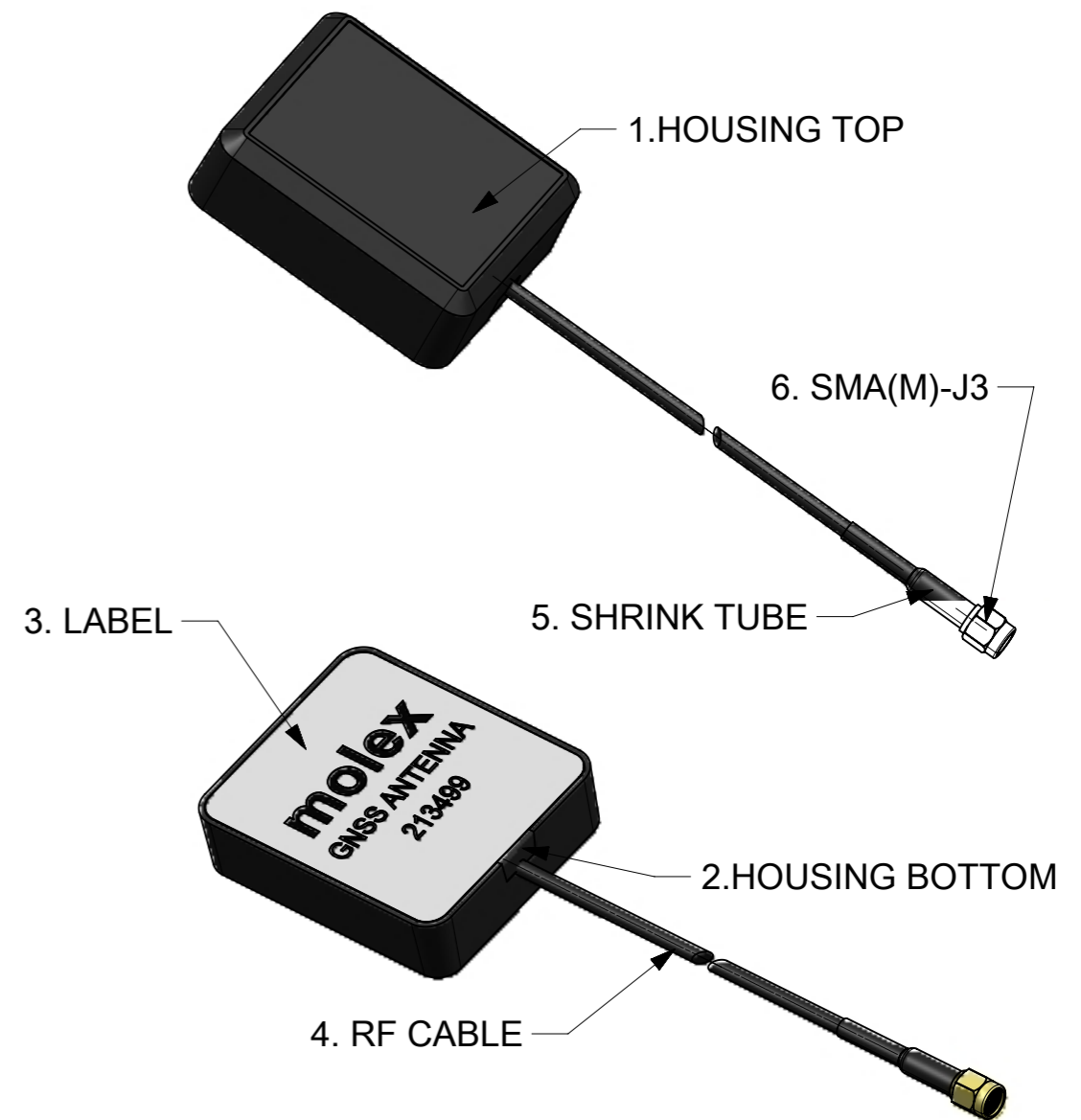
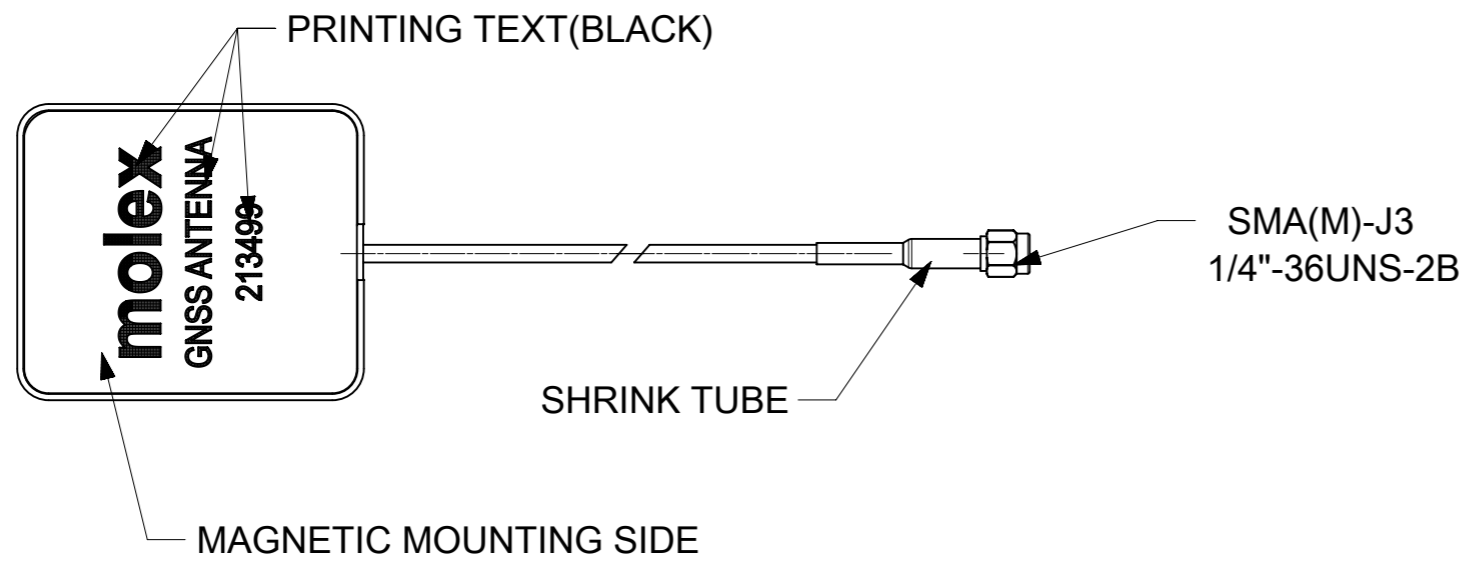
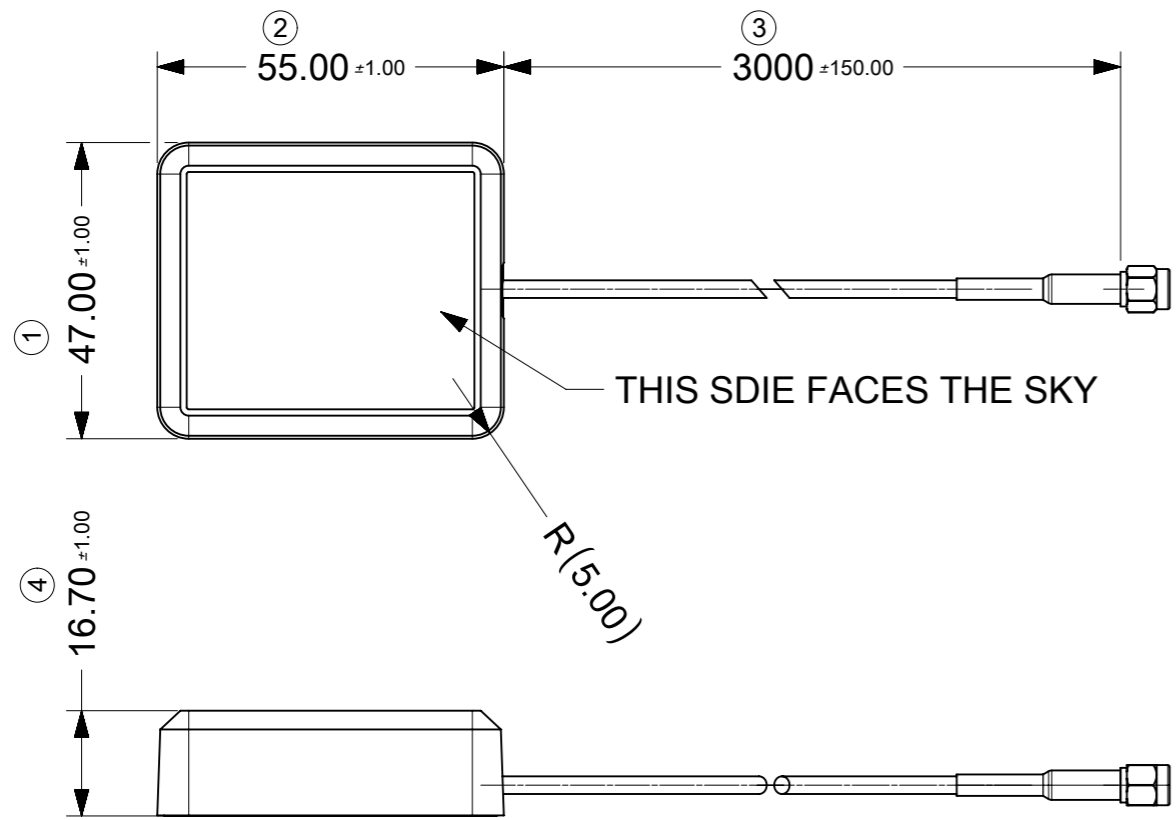


REV	CHANGE HISTORY	DATE
A	FIRST RELEASE	20191113



ITEM	COMPONENTS	MATERIAL	FINISH	QTY
1	HOUSING TOP	ABS	BLACK	1
2	HOUSING BOTTOM	ABS	BLACK	1
3	LABEL	DUMB SILVER ADHESIVE	SILVER	1
4	RF CABLE	RG174(Low SMOKE, NON-HALOGEN)	BLACK	1
5	SHRINK TUBE	PE/EVA	BLACK	1
6	SMA(M)-J3	BRASS	GOLD PLATING	1

Notes

1. MATERIAL: REFER TO TABLES.
2. PACKAGE SPEC. REFER TO PK OF 2134993000.
3. PRODUCT SPEC. REFER TO PS OF 2134993000.
4. APPLICATION SPEC. REFER TO AS OF 2134993000.

SYMBOLS DIMENSION UNITS: mm SCALE: CURRENT REV DESC: GENERAL TOLERANCES (UNLESS SPECIFIED): ANGULAR TOL: ± ° 4 PLACES: ± 3 PLACES: ± 0.15 2 PLACES: ± 0.2 1 PLACE: ± 0.3 0 PLACES: ± DRAFT WHERE APPLICABLE MUST REMAIN WITHIN DIMENSIONS		EC NO: 627922 DRWN: CZHOU05 2019/11/21 CHK'D: KCHENG06 2019/11/28 APPR: KCHENG06 2019/11/28 INITIAL REVISION: DRWN: CZHOU05 2019/11/21 APPR: KCHENG06 2019/11/28		 MOLEX GNSS ANTENNA-MAGNETIC MOUNT PRODUCT CUSTOMER DRAWING	
DOCUMENT STATUS: P1 RELEASE DATE: 2019/11/28 07:06:18		DOCUMENT NUMBER: 2134993000 DOC TYPE: PSD DOC PART: SD REVISION: A		MATERIAL NUMBER: SEE TABLES CUSTOMER: 213499 SHEET NUMBER: 1 OF 1	