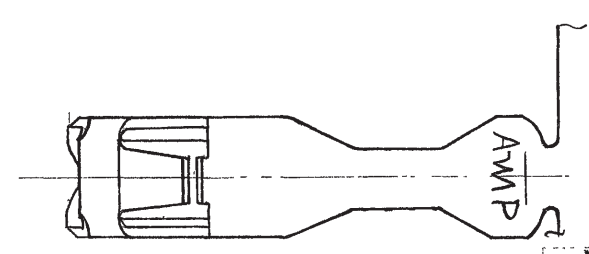
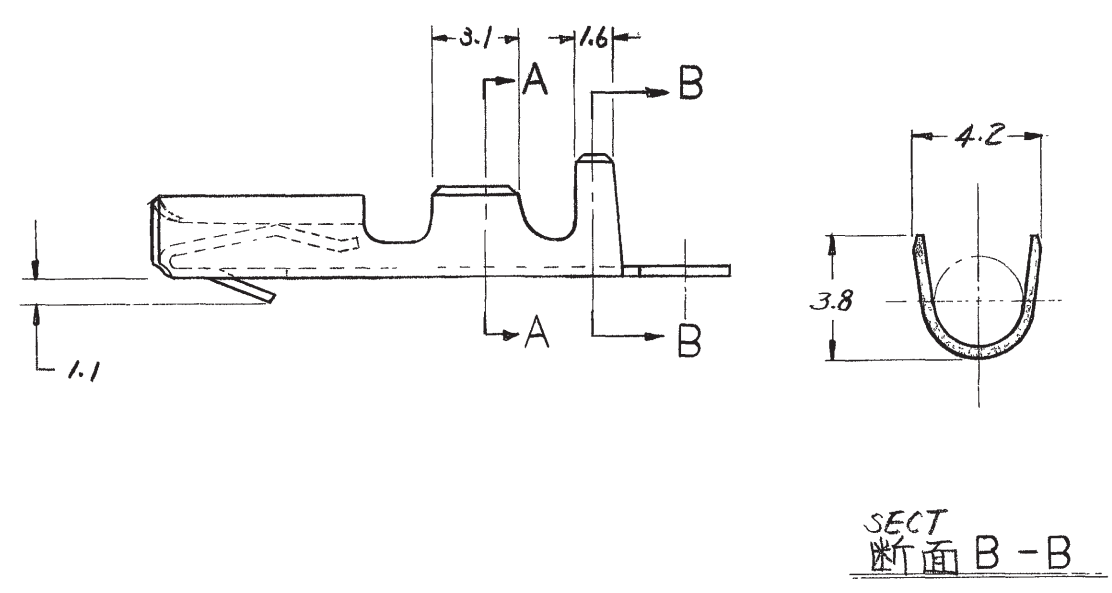
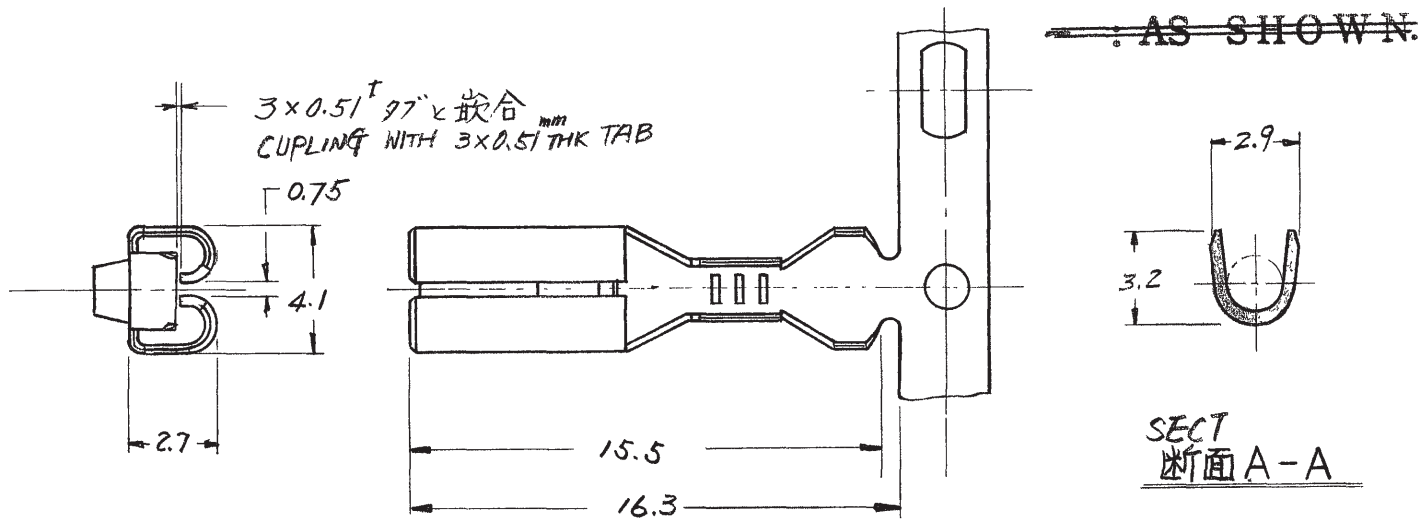


品番 NUMBER
C-170382



OBSOLETE

錫めっき 黄銅 仕上 枝 型番

170382

PRINT DIST 単位 純 DIMENSIONS IN MM DO NOT SCALE PRINT

| | | | |
|-----|-----------------|-----|---------|
| DR | A. Tama 7/29/80 | DE | 7/29/80 |
| CHK | M. Aizawa | APP | 7/29/80 |

| | | | | | | | | |
|--------------------------------|----------------------|----|-----|------------|---|--|---------------------------------------|--------|
| A3 REVISED PER ECR-19-018072 | | SS | TD | 27NOV 2019 | ①9 年日本エーピーシー株式会社 AMP社の産製品(特)又は特許出願中 | ①9 BY AMP (Japan), Ltd. ALL RIGHTS RESERVED AMP PRODUCTS COVERED BY PATENTS AND/OR PATENTS PENDING | 参考図面 (CUSTOMER COPY) (REFERENCE ONLY) | |
| A2 改訂 J81-6090 olma MK 7/6/81 | | | | | 材料 (MATERIAL) | | TE Connectivity | |
| A1 改訂 J81-6065 olma MK 6/16/80 | | | | | 仕上 (FINISH) | | | |
| A 改訂 J81-5956 aj MK 3/16/81 | | | | | 適合電線断面積 (WIRE RANGE) #20-16 0.50~1.42 mm ² (AWG) | | 分類 (CLASS) | |
| O 作成 J80-5418 aj m 7/29/80 | | | | | 挿入径 (INSULATION DIA) 2.03~3.05 mm (IN) | | 型式 (TYPE) | |
| LTR | 変更 (REVISION RECORD) | DR | CHK | DATE | 一般公差 (TOLERANCE) EXCEPT AS NOTED | 尺度 (SCALE) 4-1 | LOC SIZE 番号 (NO) J A C-170382 | REV A3 |
| DR A. Tama 7/29/80 | | | | | 名称 (NAME) "110" SERIES RECEPTACLE | | | |
| CHK M. Aizawa 7/29/80 | | | | | "110" シリーズ | | 1127971L H.M.D.C | |