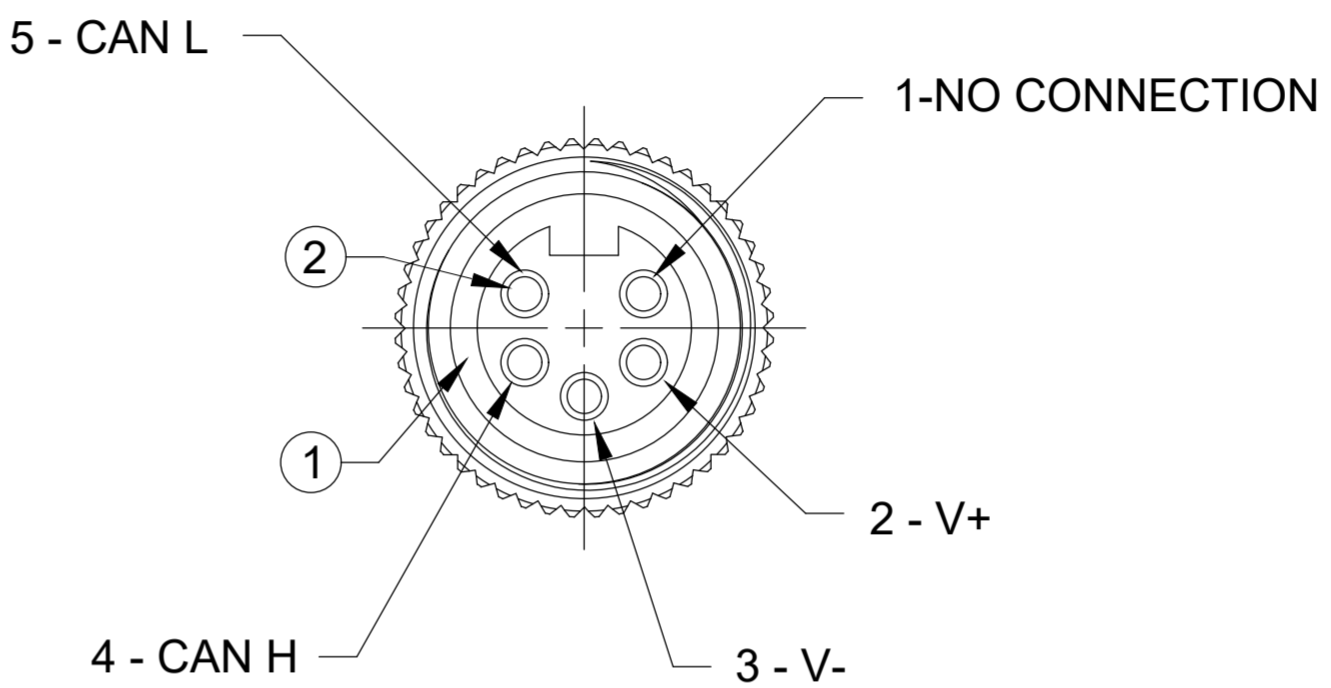
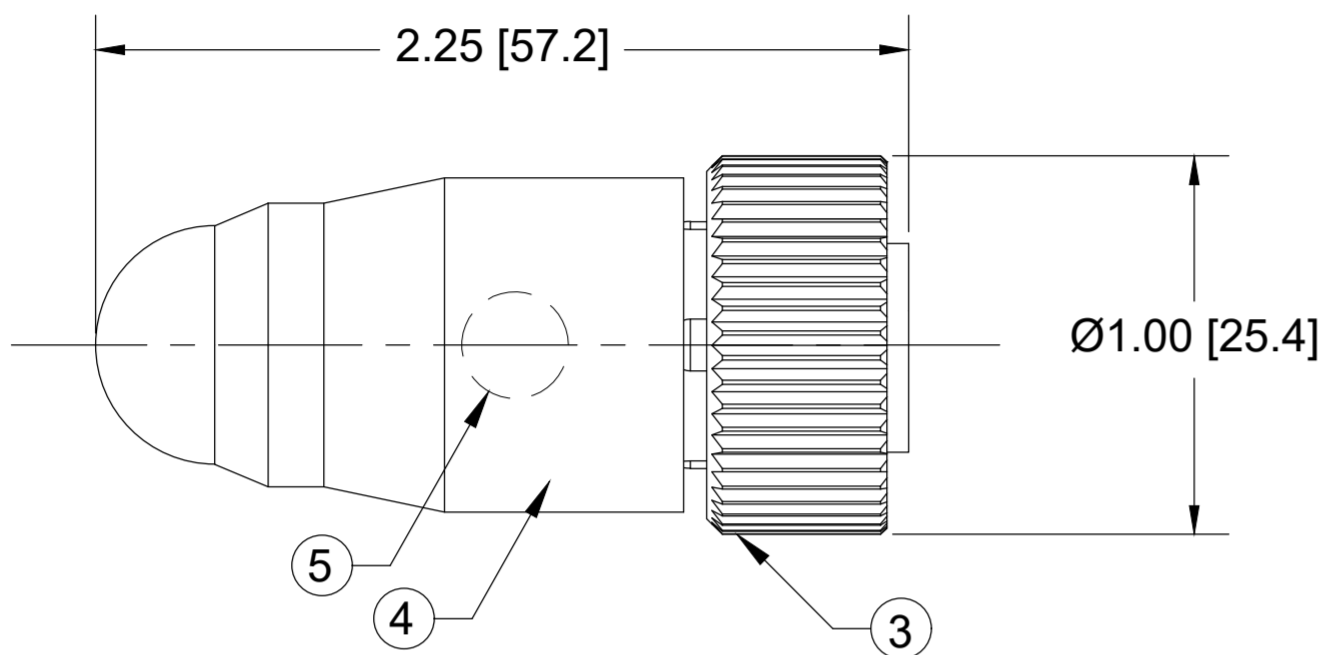
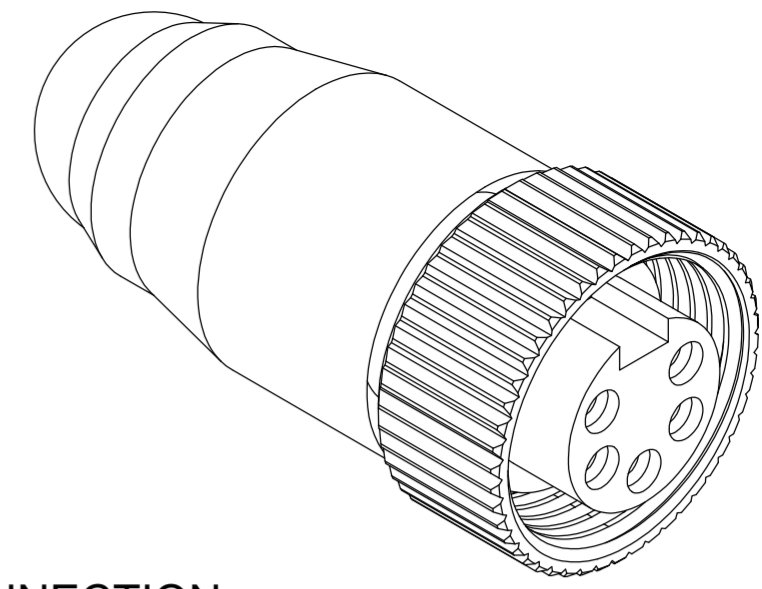
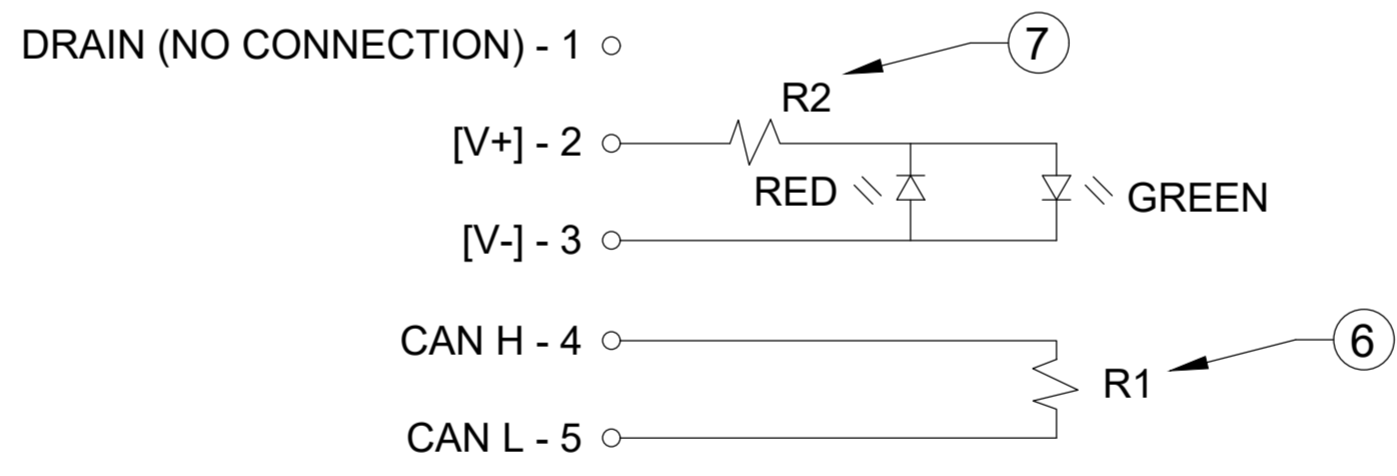


MATERIAL NUMBER	ENGINEERING NUMBER
1300390072	DN150L



NOTES:

- MATERIAL: AS NOTED
- FINISH: AS NOTED
- ELECTRICAL:  
VOLTAGE: 50 VAC/VDC  
CURRENT: 8 AMPS
- TEMP RATING: 0°C TO +60°C
- PROTECTION: IP67 (WHEN MATED)
- COUPLING THREAD: 7/8"-16UN
- ALL DIMENSIONS ARE FOR REFERENCE UNLESS TOLERANCED OR NOTED OTHERWISE



WIRING SCHEMATIC

PRE-RELEASE  
REFERENCE  
USE ONLY

ITEM	COMPONENT	MATERIAL	FINISH
1	INSERT	TPE	GRAY
2	CONTACT SOCKET	COPPER ALLOY	GOLD OVER NICKEL
3	COUPLNG NUT	ZINC DIE CAST	BLACK E-COATED
4	OVERMOLD	PUR	CLEAR
5	LED		RED/GREEN
6	RESISTOR(R1)	121 OHM 1/4 WATT	
7	RESISTOR(R2)	1600 OHM 1/2 WATT	

THIS DRAWING CONTAINS INFORMATION THAT IS PROPRIETARY TO MOLEX ELECTRONIC TECHNOLOGIES, LLC AND SHOULD NOT BE USED WITHOUT WRITTEN PERMISSION											
FUNCTIONAL SYMBOLS	DIMENSION UNITS	SCALE	CURRENT REV DESC: ITEM# 1 & 4 WERE PVC								
	INCH/MM	NTS	<p><b>molex</b></p> <p>MINI-CHANGE TERMINATOR, A-SIZE, 5 POLE, FEMALE, STRAIGHT, SINGLE KEY, 22AWG</p> <p>PRODUCT CUSTOMER DRAWING</p>								
GENERAL TOLERANCES (UNLESS SPECIFIED)		EC NO: 643513									
DIVISIONAL SYMBOLS	4 PLACES	±----	±----	APPR: ----		----		INITIAL REVISION:			
	3 PLACES	±----	±0.005	DRWN: LHARTMAN		2009/08/28		DOCUMENT NUMBER			
	2 PLACES	±0.13	±0.01	APPR: JFMURPHY		2009/08/31		SD-130039-015		DOC TYPE/DOC PART/REVISION	
	1 PLACE	±0.25	±0.02	DRAFT WHERE APPLICABLE MUST REMAIN WITHIN DIMENSIONS		THIRD ANGLE PROJECTION		DRAWING		SHEET NUMBER	
0 PLACES	±----	±----	ANGULAR TOL ± 0.5°		C-SIZE		SERIES		MATERIAL NUMBER		
								3		CUSTOMER	
								130039		GENERAL MARKET	
								SEE CHART		1 OF 1	