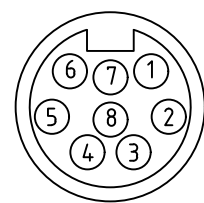
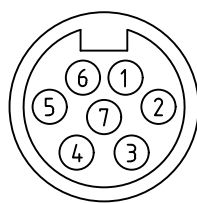
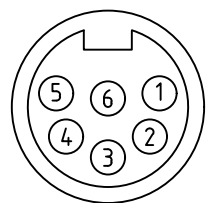


FACE VIEW-FEMALE INSERT



1 ORANGE
2 BLUE
3 BLACK
4 WHITE
5 RED
6 GREEN/YELLOW

1 WHITE/BLACK
2 BLACK
3 WHITE
4 RED
5 ORANGE
6 BLUE
7 GREEN/YELLOW

1 ORANGE
2 BLUE
3 WHITE/BLACK
4 BLACK
5 WHITE
6 RED
7 GREEN/YELLOW
8 RED/BLACK

PART NO. MATRIX

2R8004A20M005

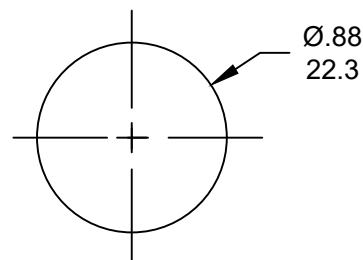
POLES
6-8

FINISHED LENGTH:
A120= 12 IN.
F020= 2 FEET
F200= 20 FEET

M005= 0.5 METER
M010= 1 METER
M100= 10 METER

CABLE LENGTH TOLERANCES

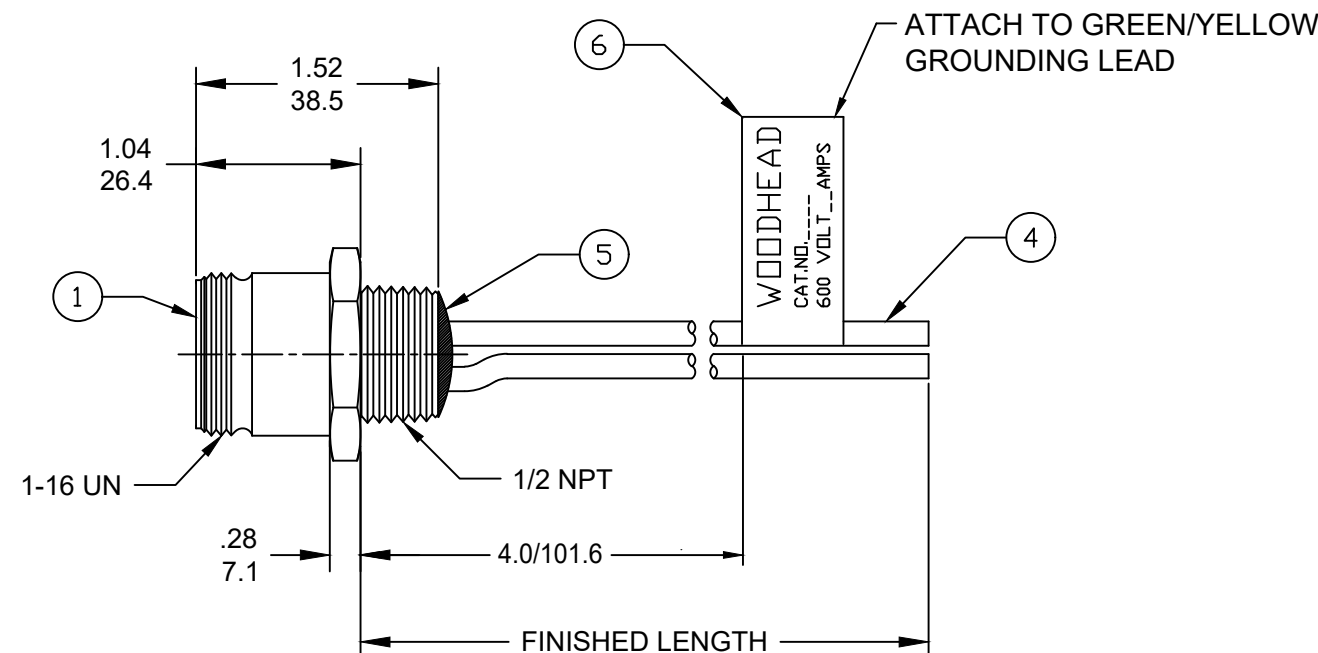
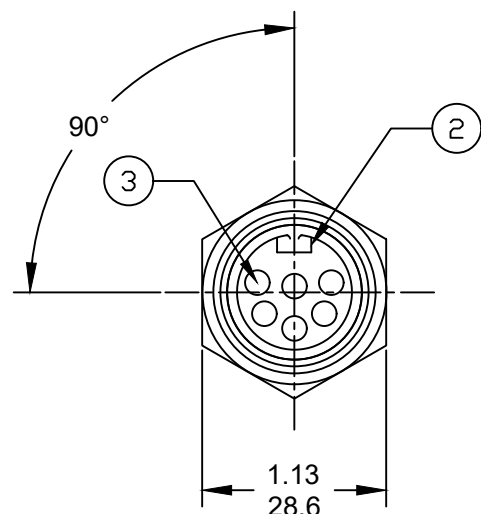
>.3M [1FT]: +19mm-0 [+.75in-0]
.3 - .9M [1 - 3FT]: +44.5mm-0 [+1.75in-0]
.9 - 1.8M [3 - 6FT]: +55.6mm-0 [+2.19in-0]
1.8 - 3.7M [6 - 12FT]: +88.9mm-0 [+3.50in-0]
3.7 - 7.3M [12 - 24FT]: +165.1mm-0 [+6.50in-0]
7.3-14.6M [24 - 48FT]: +317.5mm-0 [+12.50in-0]
14.6 - 30.5M [48-100FT]: +622.3mm-0 [+24.50in-0]
OVER 30M [100FT] +2% OF FINISHED LENGTH



REF. KNOCKOUT HOLE

NOTES:

- MATERIAL: AS NOTED
- FINISH: AS NOTED
- ELECTRICAL:
VOLTAGE: 6 THRU 8P 600V PER UL 2238
6P 400V PER IEC 60664
7 & 8P 320V PER IEC 60664
CURRENT: 6 & 7 POLE: 8A
8 POLE: 7A
- TEMP RATING: -20°TO +105°C
- PROTECTION: IP67 (WHEN MATED)
- UL RECOGNIZED, FILE: E152210
CSA CERTIFIED, FILE: LR6837 (B)
- ALL DIMENSIONS ARE FOR REFERENCE UNLESS TOLERANCED OR NOTED OTHERWISE



(B) PART NO	ENGINEERING NO.	FINISHED LENGTH
1300140015	2R6004A20A120	12 IN [0.3M]
1300140042	2R7004A20F060	6 FT [1.8M]
1300140158	2R8004A20M040	4.0M [13 FT 1 IN]

ITEM	COMPONENT	MATERIAL	FINISH
6	FLAG LABEL	VINYL	BLACK/YELLOW
5	POTTING MATERIAL	EPOXY	
4	WIRE, 16 AWG UL (1015)	PVC INSULATION	SEE FACE VIEW
3	CONTACT SOCKET	COPPER ALLOY	GOLD PLATED
2	INSERT	TPE	YELLOW (B)
1	RECEPTACLE SHELL	ZINC DIE-CAST	BLACK

FUNCTIONAL SYMBOLS	THIS DRAWING CONTAINS INFORMATION THAT IS PROPRIETARY TO MOLEX ELECTRONIC TECHNOLOGIES, LLC AND SHOULD NOT BE USED WITHOUT WRITTEN PERMISSION			
	DIMENSION UNITS	SCALE		
$F_A=0$ $F_C=0$ $F_P=0$	INCH/MM	---	CURRENT REV DESC: ITEM #2 WAS PVC, CSA ADDED IN NOTES & MATERIAL TABLE MODIFIED EC NO: 641453 DRWN: ABENJAMINLW 2020/05/18 CHK'D: RSTONE 2020/07/20 APPR: BWOODMAN 2020/07/27	
	GENERAL TOLERANCES (UNLESS SPECIFIED)			
DIVISIONAL SYMBOLS	4 PLACES	±---	INITIAL REVISION: DRWN: RSTONE 2016/12/07 APPR: BWOODMAN 2017/01/16	
	3 PLACES	±---		
	2 PLACES	±---	DOCUMENT NUMBER: SD-130014-009 DOC TYPE: PSD DOC PART: 001 REVISION: B	
	1 PLACE	±---		
	0 PLACES	±---	MATERIAL NUMBER: SEE_CHART CUSTOMER: GENERAL MARKET SHEET NUMBER: 1 OF 1	
	ANGULAR TOL	± --- °		
DRAFT WHERE APPLICABLE MUST REMAIN WITHIN DIMENSIONS		THIRD ANGLE PROJECTION	DRAWING: B-SIZE	SERIES: 130014