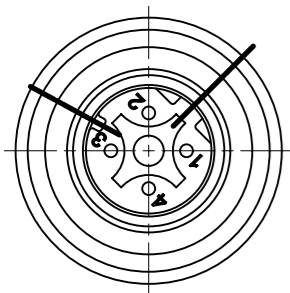


M12 4 POLE MALE



VIEW FROM THE FRONT SIDE

Pin	Wire color
1	OG
2	BU
3	OG/WH
4	BU/WH

PART No. MATRIX

E W W A 0 6 0 0 3 M X X X

E=ETHERNET

HEADS:
W=M12 4-Pole Ultra Lock D-Coding
W=M12 4-Pole Ultra Lock D-Coding

HEADS STYLE:
060=MALE STR / MALE STR

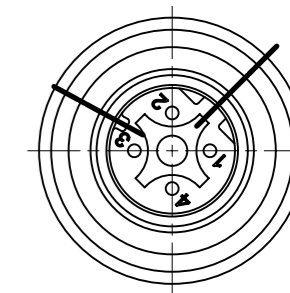
CABLE TYPE

UNITS:
M=METER
T=10x METER

LENGTH EXAMPLES:
005=0.5m
010=1m
150=15m

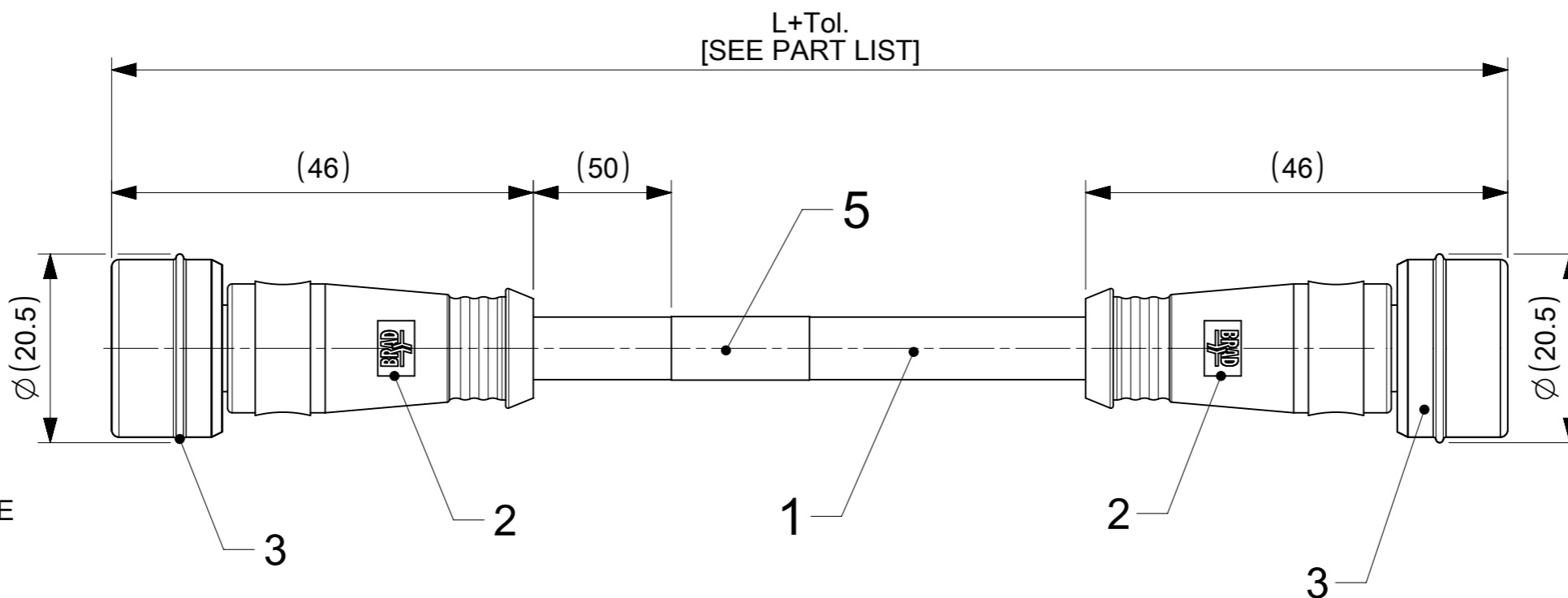
WIRING TYPE:
A=4 Pole (STRAIGHT WIRED)

M12 4 POLE MALE



VIEW FROM THE FRONT SIDE

Pin	Wire color
1	OG
2	BU
3	OG/WH
4	BU/WH



VIEW FROM THE FRONT SIDE

VIEW FROM THE FRONT SIDE

BOM

ITEM	QTY.	DESCRIPTION	MATERIAL	FINISH / COLOR
5	1	WRAP LABEL	VINYL	WHITE
4	8	CONTACT MALE	BRASS	GOLD OVER Ni-PLATED
3	2	ULTRALOCK MALE ASSEMBLY	-	-
2	-	MOULDING MATERIAL	TPU	BLACK
1	-	ETHERNET CABLE-CAT5E	PVC	TEAL

PART LIST

MOLEX PN	ENGINEERING No	L+Tol. [mm]
1201080065	EWWA06003M006	600 +45
1201080066	EWWA06003M010	1000+56
1201080067	EWWA06003M100	10000+317
1201080068	EWWA06003M020	2000 +89
1201080069	EWWA06003M050	5000+165

NOTES :

ACC. TO CAT5e ETHERNET STD.
MAX. VOLTAGE : 30V
MAX. CURRENT : 1.5A
IP RATING : IP67
TEMPERATURE RANGE : -20°C TO +75°C

FUNCTIONAL SYMBOLS FA = 0 FE = 0 FV = 0	THIS DRAWING CONTAINS INFORMATION THAT IS PROPRIETARY TO MOLEX ELECTRONIC TECHNOLOGIES, LLC AND SHOULD NOT BE USED WITHOUT WRITTEN PERMISSION	SCALE 3:2	CURRENT REV DESC:			
	GENERAL TOLERANCES (UNLESS SPECIFIED) ANGULAR TOL ± 1.0° 4 PLACES ±	EC NO: 703538 DRWN: SSM CHK'D: RSILLER APPR: RSILLER	2022/03/28 2022/04/22 2022/04/22	<p>MIC 4P M/MP ULLOCK ST/ST XM</p> <p>PRODUCT CUSTOMER DRAWING</p>		
DIVISIONAL SYMBOLS 3 PLACES ± 2 PLACES ± 0.05 1 PLACE ± 0.3 0 PLACES ± 0.5	DRAFT WHERE APPLICABLE MUST REMAIN WITHIN DIMENSIONS	THIRD ANGLE PROJECTION DRAWING A3-SIZE	SERIES 120108			
INITIAL REVISION: DRWN: SSM APPR: RSILLER		2022/03/28 2022/04/22	DOCUMENT NUMBER 1201080065	DOC TYPE PSD	DOC PART 000	REVISION A
			SHEET NUMBER 1 OF 1			

DOCUMENT STATUS	P1	RELEASE DATE	2022/04/22	06:35:57
-----------------	----	--------------	------------	----------