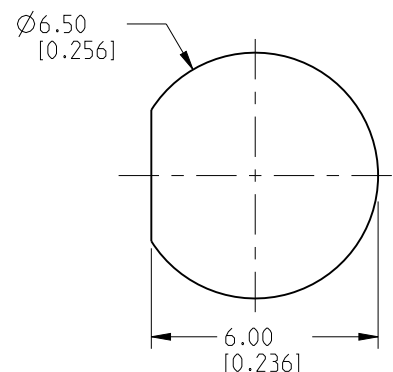


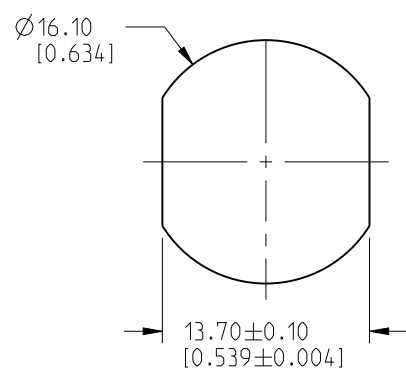
NOTES:

- 1. MATERIALS AND FINISHES:  
SMA STR BHD JACK - BRASS, GOLD PLATING  
N STR BHD JACK - BRASS, WHITE BRONZE PLATING  
CABLE - RG 58
- 2. ELECTRICAL:  
A. IMPEDANCE: 50 OHM
- 3. PACKAGING:  
A. QUANTITY: SINGLE PACK  
B. MARKING: BAG TO BE MARKED  
"AMPHENOL RF, 95-902-527-XXX AND DATE CODE"

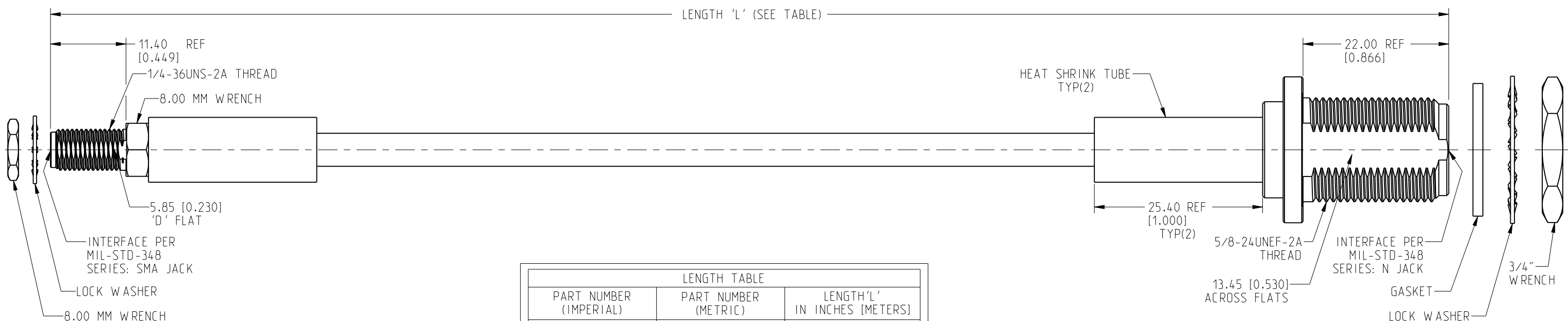
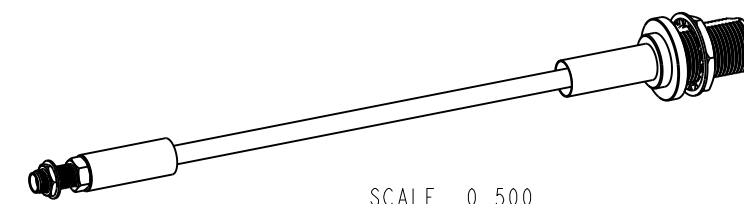
REVISIONS				
REV	DESCRIPTION	DATE	ECN	APPR
A	RELEASE TO MFG.	21-APR-20	15001	KR



**RECOMMENDED MOUNTING HOLE DIMENSIONS FOR SMA**



**RECOMMENDED MOUNTING HOLE DIMENSIONS FOR N**



LENGTH TABLE		
PART NUMBER (IMPERIAL)	PART NUMBER (METRIC)	LENGTH 'L' IN INCHES [METERS]
95-902-527-012	-	12.00 [0.305]
95-902-527-024	-	24.00 [0.610]
95-902-527-036	-	36.00 [0.914]
-	95-902-527M100	39.37 [1.000]
95-902-527-048	-	48.00 [1.219]
95-902-527-060	-	60.00 [1.524]
95-902-527-072	-	72.00 [1.829]
-	95-902-527M200	78.74 [2.000]
95-902-527-084	-	84.00 [2.134]
95-902-527-096	-	96.00 [2.438]
-	95-902-527M300	118.11 [3.000]

TOLERANCE TABLE	
LENGTH IN INCHES/FT [METERS]	TOLERANCE
0" - 23.90" [0 - 0.607]	±0.25" [0.006]
24.00" - 59.00" [0.610 - 1.499]	±0.50" [0.013]
5.0' - 24.9' [1.524 - 7.617]	±2.5%
25.0' & UP [7.620 & UP]	±5.0%

**DESIGN REQUIREMENTS:**

- FREQUENCY: DC - 3 GHz
- CONTINUITY
- VSWR: ---- 1 MAX.
- HI-POT: 750 VRMS
- INS. LOSS: ---- dB MAX.
- OTHER

**CUSTOMER OUTLINE DRAWING**  
ALL OTHER SHEETS ARE FOR INTERNAL USE ONLY

<p>NOTICE: These drawings, specifications, or other data (1) are, and remain the property of Amphenol corp. (2) must be returned upon request; and (3) are confidential and not to be disclosed to any person other than those to whom they are given by Amphenol Corp. The furnishing of these drawings, specifications, or other data by Amphenol Corp., or to any other person to anyone for any purpose is not to be regarded by implication or otherwise in any manner licensing, granting rights to permitting such holder or any other person to manufacture, use or sell any product, process or design, patented or otherwise, that may in any way be related to or disclosed by said drawings, specifications, or other data.</p>		<p>UNLESS OTHERWISE SPECIFIED DIMENSIONS ARE METRIC [INCHES] AND TOLERANCES ARE:          &lt;0.5mm = ±0.05mm [-0.020 = ±0.002]          &gt;0.5 - 6mm = ±0.1mm [0.020 - 0.236 = ±0.004]          &gt;6.00 - 30mm = ±0.2mm [0.236 - 1.181 = ±0.008]          &gt;30.00 - 120mm = ±0.3mm [1.181 - 4.725 = ±0.012]</p>		<p>MATERIAL SEE NOTES</p>		<p>TITLE SMA STR BHD JACK TO N STR BHD JACK USING RG 58 CABLE VARIOUS LENGTH</p>		<p><b>Amphenol RF</b></p>	
<p>THIRD ANGLE PROJ. </p>		<p>REFERENCE</p>		<p>ENGINEER KARTHIK R</p>		<p>DATE 27-FEB-20</p>		<p>SHEET NO. 2 OF 2</p>	
<p>SCALE: 1.7:1.0</p>		<p>SCALE: 1.7:1.0</p>		<p>SCALE: 1.7:1.0</p>		<p>SCALE: 1.7:1.0</p>		<p>SCALE: 1.7:1.0</p>	
<p>SIZE B</p>		<p>DRAWING NO. 95-902-527-XXX</p>		<p>ITEM NO. 95-902-527-XXX</p>		<p>PART NO. 95-902-527-XXX</p>		<p>REV A</p>	