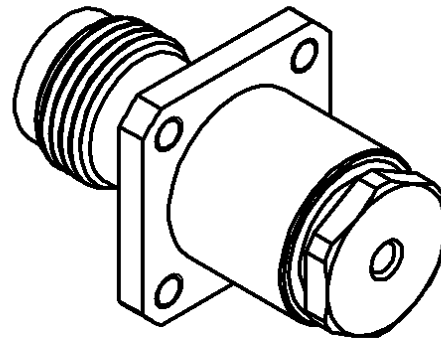
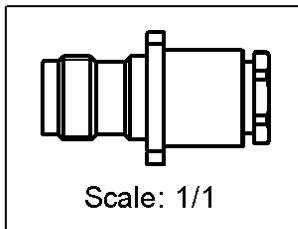
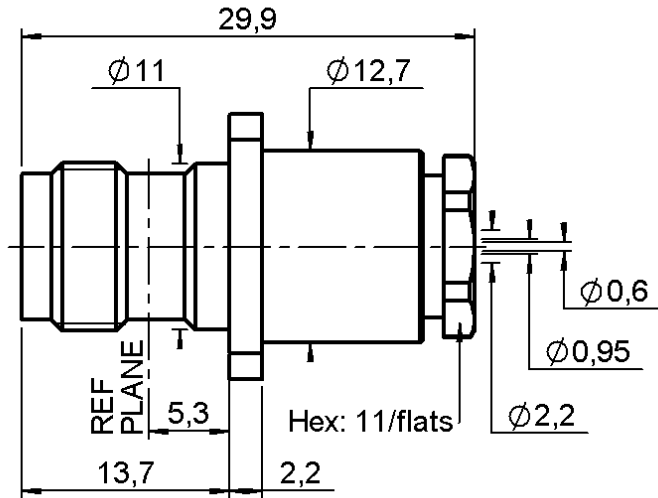
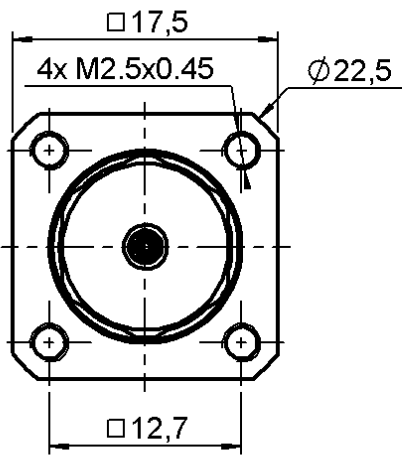


**STRAIGHT SQUARE FLANGE JACK**

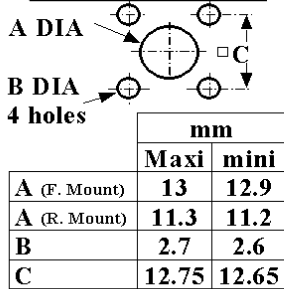
**R143.253.000**

**CLAMP TYPE - CABLE 2/50 S**

Series : TNC



**PANEL CUT OUT**



All dimensions are in mm.



| COMPONENTS     | MATERIALS        | PLATINGS (µm)          |
|----------------|------------------|------------------------|
| BODY           | BRASS            | NICKEL 2               |
| CENTER CONTACT | BERYLLIUM COPPER | GOLD 0.5 OVER NICKEL 2 |
| OUTER CONTACT  | -                | -                      |
| INSULATOR      | PTFE             | -                      |
| GASKET         | -                | -                      |
| OTHERS PARTS   | BRASS            | NICKEL 2               |
| -              | -                | -                      |
| -              | -                | -                      |

Issue : 0225 A

In the effort to improve our products, we reserve the right to make changes judged to be necessary.



**STRAIGHT SQUARE FLANGE JACK**

**R143.253.000**

**CLAMP TYPE - CABLE 2/50 S**

Series : TNC

**PACKAGING**

| Standard | Unit | Other             |
|----------|------|-------------------|
| <b>1</b> | -    | <b>Contact us</b> |

**SPECIFICATION**

**ELECTRICAL CHARACTERISTICS**

|                                 |               |                             |
|---------------------------------|---------------|-----------------------------|
| Impedance                       |               | <b>50</b> Ω                 |
| Frequency                       |               | <b>0-11</b> GHz             |
| VSWR                            | <b>1.40</b> + | <b>0.000</b> x F(GHz) Maxi  |
| Insertion loss                  |               | <b>0.06</b> √F(GHz) dB Maxi |
| RF leakage                      | - (           | <b>57</b> - F(GHz)) dB Maxi |
| Voltage rating                  |               | <b>335</b> Veff Maxi        |
| Dielectric withstanding voltage |               | <b>1000</b> Veff mini       |
| Insulation resistance           |               | <b>5000</b> MΩ mini         |

**CABLE ASSEMBLY**

| Stripping | a    | b    | c    | d    | e    | f    |
|-----------|------|------|------|------|------|------|
| mm        | 4.00 | 2.00 | 9.00 | 2.00 | 5.00 | 0.00 |

Assembly instruction : **Clamp 01**

Recommended cable(s)  
 RG 178  
 KX 21  
 RG 196  
 RG 178 LC

Cable retention  
 - pull off **58** N mini  
 - torque **NA** N.cm

**MECHANICAL CHARACTERISTICS**

|                            |           |           |
|----------------------------|-----------|-----------|
| Center contact retention   |           |           |
| Axial force – Mating end   | <b>27</b> | N mini    |
| Axial force – Opposite end | <b>27</b> | N mini    |
| Torque                     | <b>NA</b> | N.cm mini |

**TOOLING**

| Part Number | Description | Hexagon |
|-------------|-------------|---------|
| .           | .           | .       |

|                    |               |      |
|--------------------|---------------|------|
| Recommended torque |               |      |
| Mating             | <b>NA</b>     | N.cm |
| Panel nut          | <b>NA</b>     | N.cm |
| Clamp nut          | <b>150</b>    | N.cm |
| A/F clamp nut      | <b>11.000</b> | mm   |

|             |               |             |
|-------------|---------------|-------------|
| Mating life | <b>500</b>    | Cycles mini |
| Weight      | <b>22.074</b> | g           |

**OTHERS CHARACTERISTICS**

-

**ENVIRONMENTAL**

|                       |                 |           |
|-----------------------|-----------------|-----------|
| Operating temperature | <b>-65/+165</b> | ° C       |
| Hermetic seal         | <b>NA</b>       | Atm.cm3/s |
| Panel leakage         | <b>NA</b>       |           |

Issue : 0225 A

In the effort to improve our products, we reserve the right to make changes judged to be necessary.

