

FT9HV

(Former FOX801BHCLF)

11.4mm x 9.6mm

HCMOS, VCTCXO



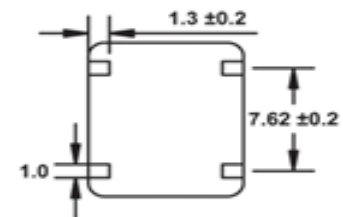
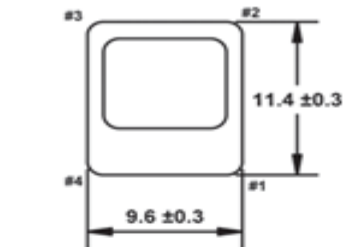
Features

- 3.3V Operation
- 2.0mm Height Max
- HCMOS Output
- Low Cost
- Tape and Reel (1,000 pcs. STD)

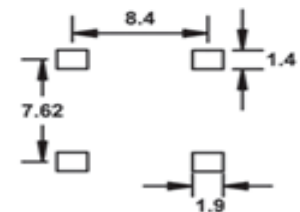
ELECTRICAL CHARACTERISTICS	
PARAMETERS	MAX (Unless otherwise noted)
Frequency Range (F_0)	9.600 ~ 56.000 MHz
Temperature Range	
Operating (T_{OPR})	-30°C ~ +75°C
Storage (T_{STG})	-40°C ~ +85°C
Initial Frequency Tolerance (@25°C) ($V_C = 1.65V^1$)	±2.0 PPM
Frequency Stability ref @ 25°C Over Operating Temp Range	±2.5 PPM
Pull ability ($V_C = 1.65 \pm 1.35V^1$)	±20 PPM Min
Supply Voltage (V_{DD})	3.3V ± 5%
Control Voltage (V_C) ¹	1.65V ± 1.35V
Input Current (I_{DD})	
9.600 ~ 21.999MHz	15mA
21.999+ ~ 56.000MHz	20mA
Output Symmetry (50% V_{DD})	40% ~ 60%
Rise Time (10% ~ 90% V_{DD}) (T_R)	7nS
Fall Time (90% ~ 10% V_{DD}) (T_F)	7nS
Output Voltage	
Output Low (V_{OL})	10% V_{DD}
Output High (V_{OH})	90% V_{DD} Min
Output Current	
(I_{OL})	2mA Min
(I_{OH})	2mA Min
Output Load	15pF Nom
Start-up Time (T_S)	10 mS

¹ For proper operation, a control voltage (V_C) must be applied to pin 1.

DIMENSIONS / MECHANICAL SPECIFICATIONS



Recommended Solder Pad Layout



Pin Connections

#1 V_C #3 Output
#2 GND #4 V_{DD}

All dimensions are in millimeters.

FT9HV

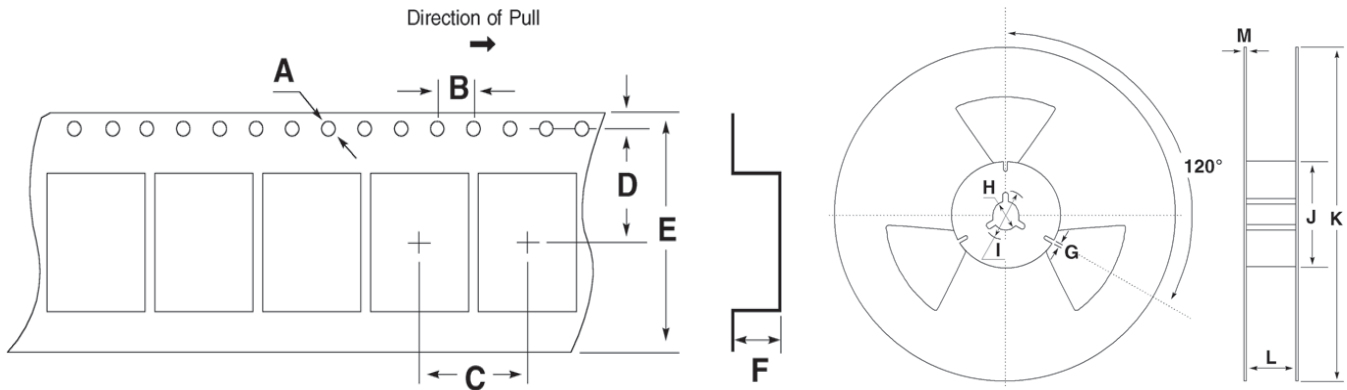
(Former FOX801BHCLF)

11.4mm x 9.6mm

HCMOS, VCTCXO



TAPE SPECIFICATIONS (mm)							REEL SPECIFICATIONS (mm)								
MODEL	A	B	C	D	E	F	REEL QTY	MODEL	G	H	I	J	K	L	M
FT9HV	Ø1.5	4.0	12.0	11.5	24.0	2.7	1,000	FT9HV	2.0	Ø13	Ø21	Ø80	Ø330	25.5	1.6



Available Options & Part Identification for VCTCXO Model T9HV

Sample PN: FT9HVBPH25.0-T1

F	T9HV	B	P	H	25.0	-T1
<u>Fox</u>	<u>Model Number</u> T9HV = VCTCXO	<u>Voltage</u> B = +3.3V±5%	<u>Stability</u> P = ±2.5 PPM	<u>Operating Temperature</u> H = -30 to +75°C	<u>Frequency (MHz)</u>	<u>Values Added Options</u> Blank = Bulk T1 = 1,000 pcs

Reliability Test Conditions

Please contact Abracon Quality Assurance department