

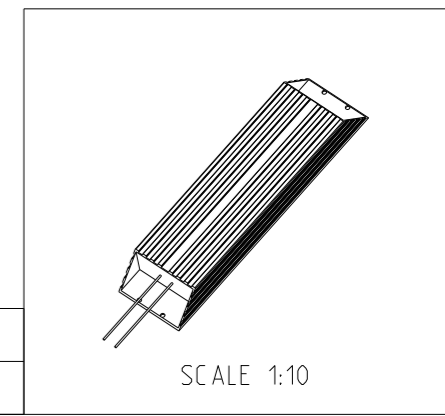
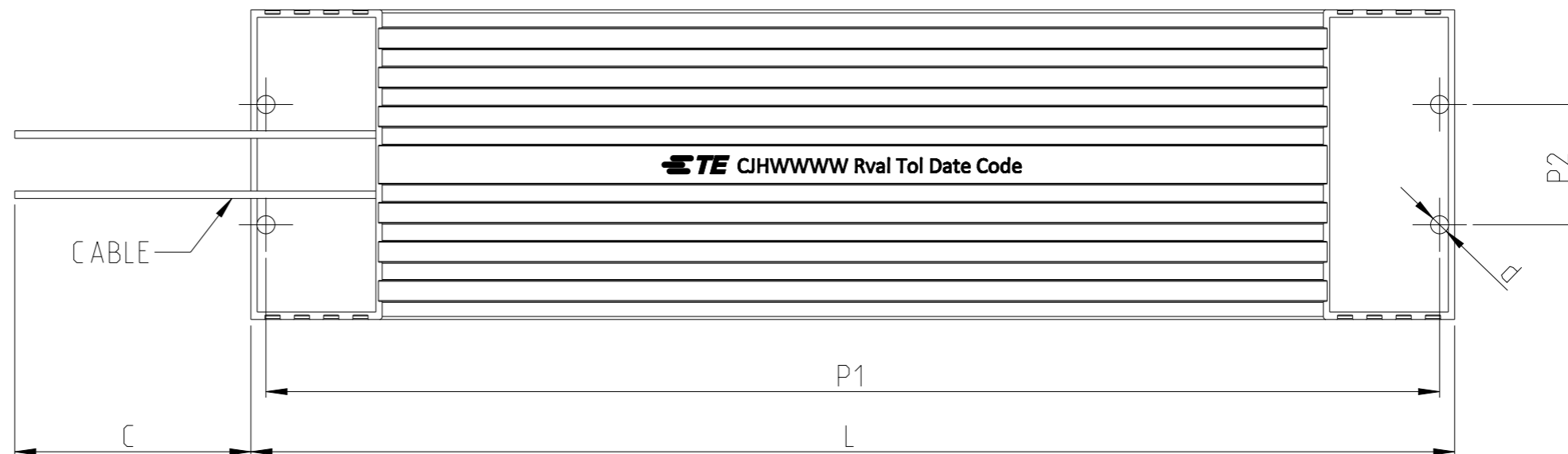
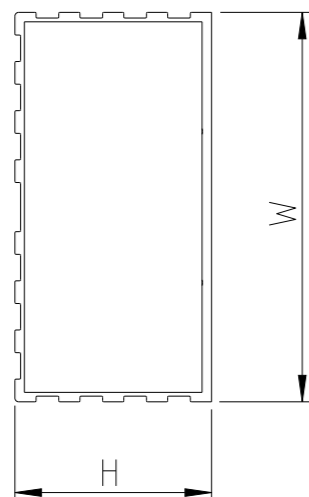
NOTE:

- 1 MOUNTING: 4 x HOLES Ø6mm
- 2 TERMINATION CABLES: UL APPROVED FEP CABLES FOR THE TERMINATIONS, BASED ON THE RESISTOR CURRENT RATING (SEE CHART BELOW) WITH E5 RING TERMINALS

CURRENT RATING	CABLE SIZE USED
≤15A	16 AWG
>15A & ≤25A	14 AWG
>25A & ≤35A	12 AWG

3 FOR FURTHER INFORMATION SEE DATA SHEET FOR CJH SERIES OF ALUMINIUM HOUSED RESISTOR

P	LTR	DESCRIPTION	DATE	DWN	APVD
	A	INITIAL DRAWING RELEASE	26MAY2022	KS	AP



PART NUMBER	L ±1	W ±1	H ±1	C ±1	P1 ±0.5	P2 ±0.5
CJH3000	400	103	52	290	390	40

THIS DRAWING IS A CONTROLLED DOCUMENT.

DWN 26MAY2022
KARTHIK S

CHK 26MAY2022
ALLAN P

APVD 26MAY2022
ALLAN P

PRODUCT SPEC

APPLICATION SPEC

WEIGHT

CUSTOMER DRAWING

NAME
ALUMINIUM ENCLOSED RESISTOR
CJH3000 SERIES

SIZE CAGE CODE DRAWING NO RESTRICTED TO

A3 00779 C=2176517

SCALE 1:2 SHEET 1 OF 2 REV A

DIMENSIONS:	TOLERANCES UNLESS OTHERWISE SPECIFIED:
mm	
	0 PLC ±
	1 PLC ±0.5
	2 PLC ±0.13
	3 PLC ±0.013
	4 PLC ±0.0001
	ANGLES ±
MATERIAL	FINISH
-	-
-	-



REVISIONS

P	LTR	DESCRIPTION	DATE	DWN	APVD
-		SEE SHEET 1	-	-	-

SCHEDULE

TCPN	PRODUCT NUMBER	MATERIAL DESCRIPTION	PART STATUS
2176517-1	CJH3000J10RJ	CJH 3000W 10R 5% LEAD	PRODUCTION
2176517-2	CJH3000J12RJ	CJH 3000W 12R 5% LEAD	PRODUCTION
2176517-3	CJH3000J15RJ	CJH 3000W 15R 5% LEAD	PRODUCTION
2176517-4	CJH3000J18RJ	CJH 3000W 18R 5% LEAD	PRODUCTION
2176517-5	CJH3000J22RJ	CJH 3000W 22R 5% LEAD	PRODUCTION
2176517-6	CJH3000J27RJ	CJH 3000W 27R 5% LEAD	PRODUCTION
2176517-7	CJH3000J33RJ	CJH 3000W 33R 5% LEAD	PRODUCTION
2176517-8	CJH3000J39RJ	CJH 3000W 39R 5% LEAD	PRODUCTION
2176517-9	CJH3000J47RJ	CJH 3000W 47R 5% LEAD	PRODUCTION
1-2176517-0	CJH3000J56RJ	CJH 3000W 56R 5% LEAD	PRODUCTION
1-2176517-1	CJH3000J68RJ	CJH 3000W 68R 5% LEAD	PRODUCTION
1-2176517-2	CJH3000J82RJ	CJH 3000W 82R 5% LEAD	PRODUCTION
1-2176517-3	CJH3000J100RJ	CJH 3000W 100R 5% LEAD	PRODUCTION
1-2176517-4	CJH3000J120RJ	CJH 3000W 120R 5% LEAD	PRODUCTION
1-2176517-5	CJH3000J150RJ	CJH 3000W 150R 5% LEAD	PRODUCTION
1-2176517-6	CJH3000J180RJ	CJH 3000W 180R 5% LEAD	PRODUCTION
1-2176517-7	CJH3000J220RJ	CJH 3000W 220R 5% LEAD	PRODUCTION
1-2176517-8	CJH3000J270RJ	CJH 3000W 270R 5% LEAD	PRODUCTION
1-2176517-9	CJH3000J330RJ	CJH 3000W 330R 5% LEAD	PRODUCTION
2-2176517-0	CJH3000J390RJ	CJH 3000W 390R 5% LEAD	PRODUCTION
2-2176517-1	CJH3000J470RJ	CJH 3000W 470R 5% LEAD	PRODUCTION
2-2176517-2	CJH3000J560RJ	CJH 3000W 560R 5% LEAD	PRODUCTION
2-2176517-3	CJH3000J680RJ	CJH 3000W 680R 5% LEAD	PRODUCTION
2-2176517-4	CJH3000J820RJ	CJH 3000W 820R 5% LEAD	PRODUCTION
2-2176517-5	CJH3000J1K0J	CJH 3000W 1K0 5% LEAD	PRODUCTION
2-2176517-6	CJH3000J1K2J	CJH 3000W 1K2 5% LEAD	PRODUCTION

THIS DRAWING IS A CONTROLLED DOCUMENT.

DWN 26MAY2022
KARTHIK S
CHK 26MAY2022
ALLAN P
APVD 26MAY2022
ALLAN P
PRODUCT SPEC



NAME ALUMINIUM ENCLOSED RESISTOR
CJH3000 SERIES

DIMENSIONS:	TOLERANCES UNLESS OTHERWISE SPECIFIED:
mm	
	0 PLC ± 1 PLC ±0.5 2 PLC ±0.13 3 PLC ±0.013 4 PLC ±0.0001 ANGLES ±
MATERIAL	FINISH
-	-
-	-

APPLICATION SPEC -
WEIGHT -

SIZE	CAGE CODE	DRAWING NO	RESTRICTED TO
A3	00779	©=2176517	-

CUSTOMER DRAWING SCALE 1:1 SHEET 2 OF 2 REV A