

LAYOUT SHOWN AS EXAMPLE

Keying Shown as example

**CHARACTERISTICS**

- Standard : Based on MIL-DTL-38999 Series III
- Shell Material : Stainless Steel
- Shell Plating : Nickel
- Insulator : Thermoplastic
- Contacts : Copper Alloy
- Seals & Grommet : Silicon Elastomer
- Contact Plating : Gold over copper Alloy 0.8µm minimum
- Durability : 500 Mating cycles
- Delivered with Souriau contacts and Accessories
- Temperature Range : -65°C to +200°C
- Salt Spray : 500 hours

Connector dimension	
Dim	Nominal
A	58.7±0.3
B	42.85+0.1/-0.15
R	32.5Max
S	55.6±0.4
W	3+0.9/-0.1
VV THREAD	M37x1-6g

SOURIAU shall not be liable for any non-conformity or damage due to a use of the Products which does not comply with the Specifications issued by either of the Parties or by a third party (professional recommendation, technical notice.)

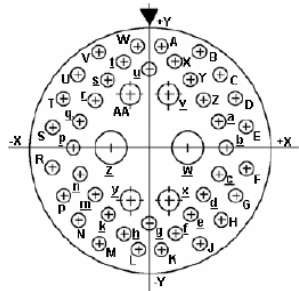
Country	Jurisdiction & Control List
FR	Not Listed

**PN: 8D725S90AE**

A	04-10-2016	First Release	
ISS	DATE	Latest modification - by	MOD N°
Designed By:		Date:	<b>CUSTOMER DRAWING</b>
<b>TITLE</b>	<b>Stainless Steel Receptacle 8D series</b>		
SCALE		General linear Tolerances:	NPRDS / PROJECT
NA		±--	<b>859</b>
<b>SOURIAU</b>	<b>WWW.SOURIAU.COM</b>		This document is the property of SOURIAU it must not be reproduced or communicated without permission
FORMAT	<b>SOURIAU DRG N° 8D725S90AE-C</b>		SHEET 1/2

BASIC SERIES:	8D	7	-	25	S	90	A	E	ORIENTATION : E
SHELL TYPE :	Jam nut Receptacle								
CONTACT TYPE :	Standard Crimp Contact								
SHELL SIZE :	25								
PLATING :	S = Nickel								
	CONTACT TYPE : PIN(500 Matings)								
	CONTACT LAYOUT : 25-90								

Contact Layout



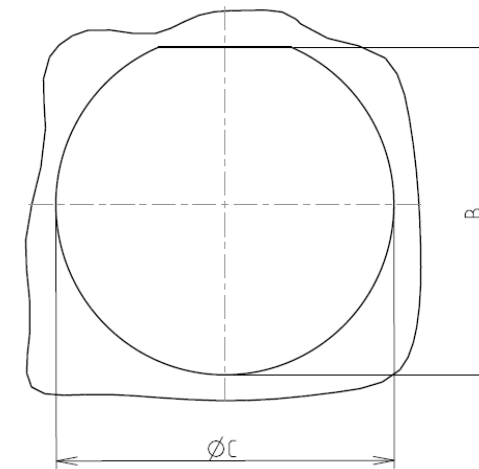
(Inactive for new design for MIL-DTL-38999. For new design, use arrangement no. 25-91.)

Contact position ID	Location		Contact position ID	Location	
	X-axis (mm)	Y-axis (mm)		X-axis (mm)	Y-axis (mm)
A	+065 (1.65)	+533 (13.54)	a	+404 (10.26)	+125 (3.18)
B	+275 (6.99)	+466 (11.84)	b	+437 (11.10)	+000 (0.00)
C	+420 (10.67)	+337 (8.56)	c	+404 (10.26)	-125 (3.18)
D	+490 (12.45)	+227 (5.77)	d	+314 (7.98)	-221 (5.61)
E	+531 (13.49)	+093 (2.36)	e	+245 (6.22)	-337 (8.56)
F	+531 (13.49)	-093 (2.36)	f	+136 (3.45)	-424 (10.77)
G	+490 (12.45)	-227 (5.77)	g	+000 (0.00)	-395 (10.03)
H	+420 (10.67)	-337 (8.56)	h	-136 (3.45)	-424 (10.77)
J	+275 (6.99)	-466 (11.84)	k	-245 (6.22)	-337 (8.56)
K	+065 (1.65)	-533 (13.54)	m	-314 (7.98)	-221 (5.61)
L	-065 (1.65)	-533 (13.54)	n	-404 (10.26)	-125 (3.18)
M	-275 (6.99)	-466 (11.84)	p	-437 (11.10)	+000 (0.00)
N	-420 (10.67)	-337 (8.56)	q	-404 (10.26)	+125 (3.18)
P	-490 (12.45)	-227 (5.77)	r	-314 (7.98)	+221 (5.61)
R	-531 (13.49)	-093 (2.36)	s	-245 (6.22)	+337 (8.56)
S	-531 (13.49)	+093 (2.36)	t	-136 (3.45)	+424 (10.77)
T	-490 (12.45)	+227 (5.77)	u	+000 (0.00)	+395 (10.03)
U	-420 (10.67)	+337 (8.56)	v	+097 (2.46)	+265 (6.73)
V	-275 (6.99)	+466 (11.84)	w	+180 (4.57)	+000 (0.00)
W	-065 (1.65)	+533 (13.54)	x	+097 (2.46)	-265 (6.73)
X	+136 (3.45)	+424 (10.77)	y	-097 (2.46)	-265 (6.73)
Y	+245 (6.22)	+337 (8.56)	z	-180 (4.57)	+000 (0.00)
Z	+314 (7.98)	+221 (5.61)	AA	-097 (2.46)	+265 (6.73)

Shell size	Arrangement no.	Number of contacts	Size contacts	Service rating	Contact location	Standard contact	
						Pin	Socket
25	-90	2	8 (see note)	Twinax	W, Z	M39029/90-529	M39029/91-530
		4	16	I	Y, X, Y, AA	M39029/58-364	M39029/56-352
		40	20		All others	M39029/58-363	M39029/56-351

Panel cutout

JAM NUT RECEPTACLE (TYPE 7)



Dim	Nominal
B	43.43+0/-0.25
ØC	44.7+0.25/-0

SOURIAU shall not be liable for any non-conformity or damage due to a use of the Products which does not comply with the Specifications issued by either of the Parties or by a third party (professional recommendation, technical notice.)

Country	Jurisdiction & Control List
FR	Not Listed

PN: 8D725S90AE

A	04-10-2016	First Release	
ISS	DATE	Latest modification - by	MOD N°
Designed By:		Date:	<b>CUSTOMER DRAWING</b>
<b>TITLE</b>	<b>Stainless Steel Receptacle 8D series</b>		
SCALE		General linear Tolerances: ±--	NPRDS / PROJECT <b>859</b>
NA		This document is the property of SOURIAU it must not be reproduced or communicated without permission	
<b>SOURIAU</b>	<b>WWW.SOURIAU.COM</b>		
FORMAT	<b>SOURIAU DRG N° 8D725S90AE-C</b>		SHEET 2/2