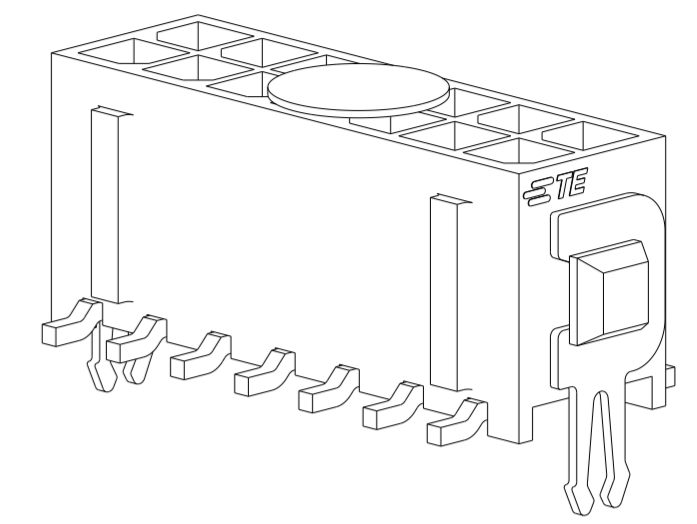
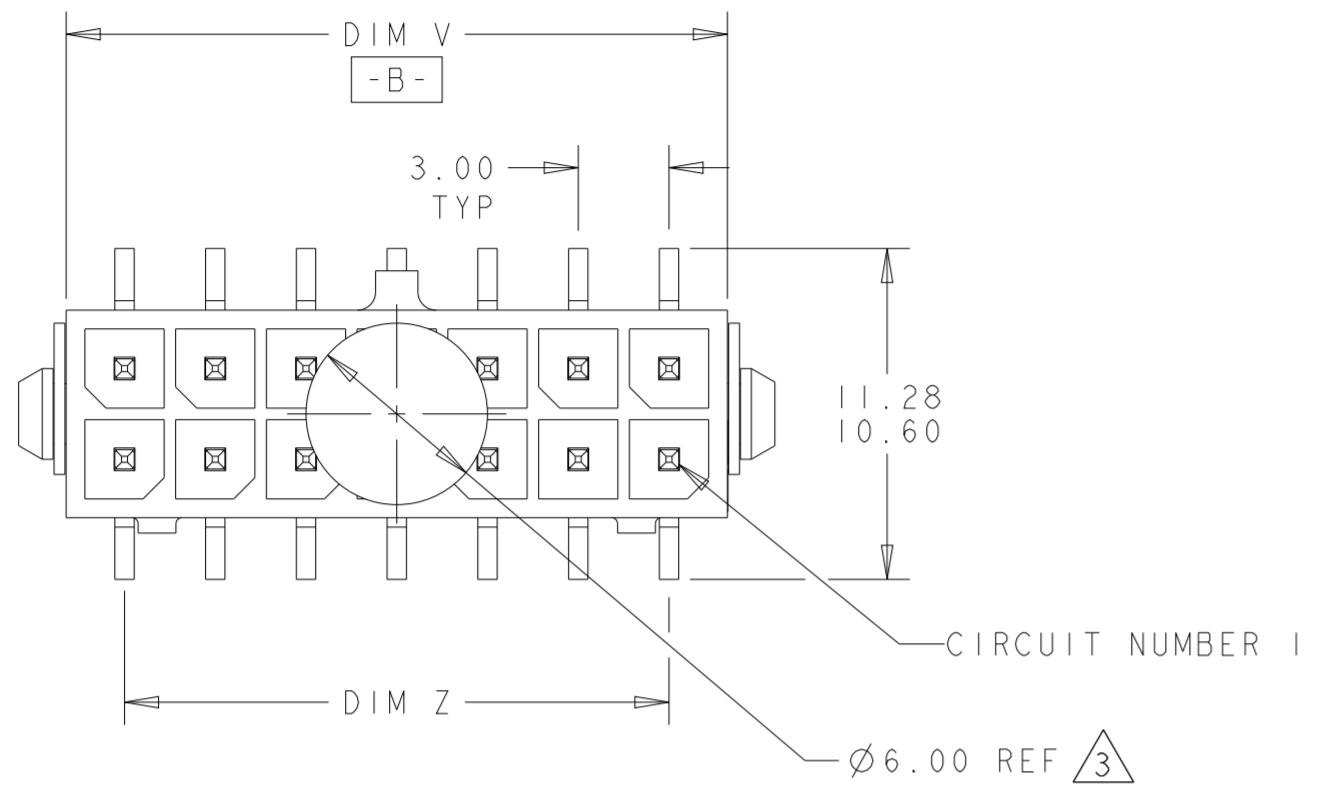
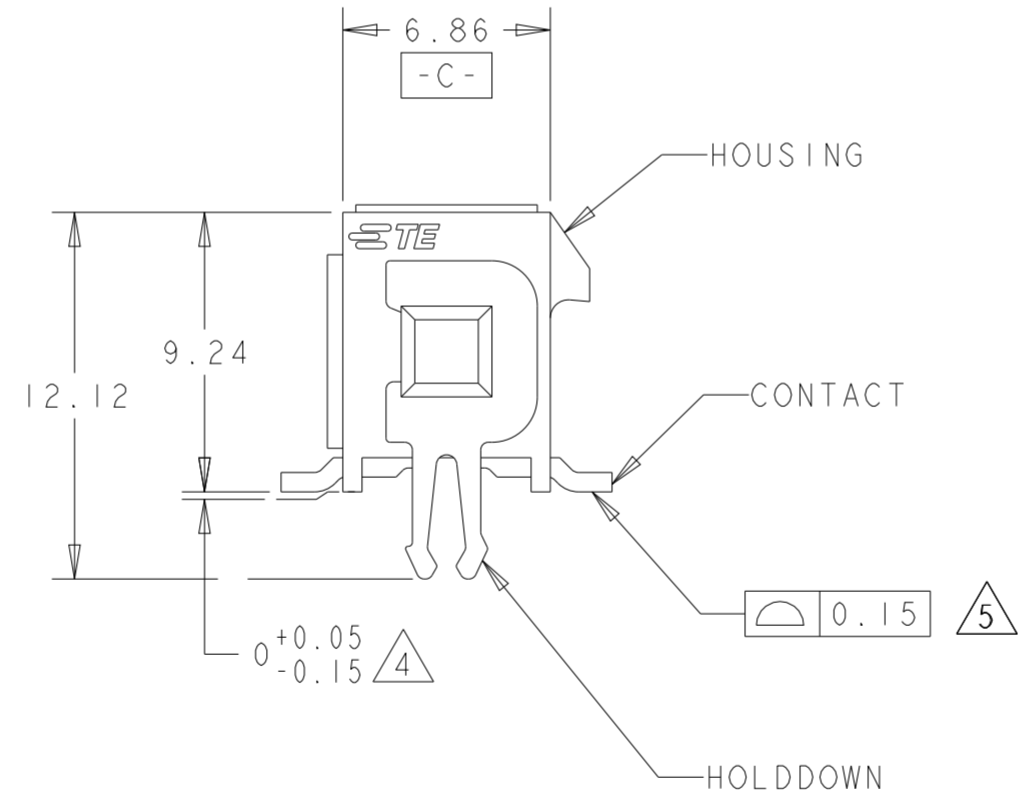
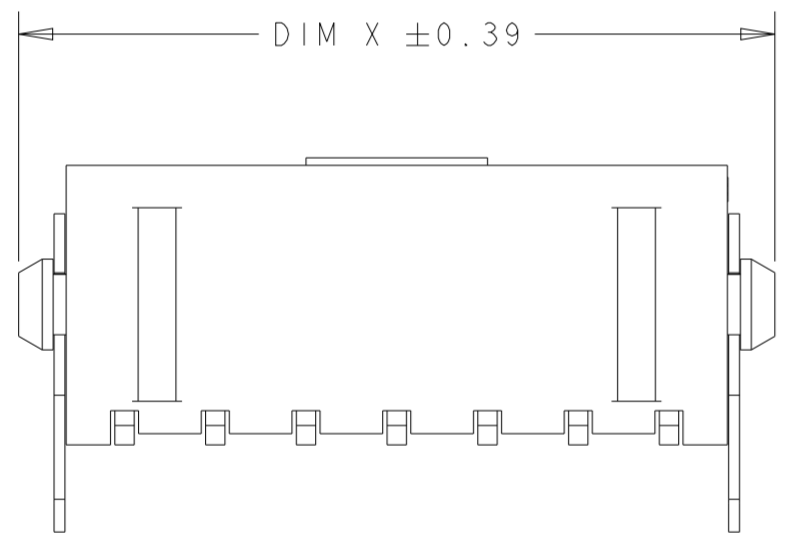


| REVISIONS | | | | | |
|-----------|-----|---------------------------|-----------|-----|------|
| P | LTR | DESCRIPTION | DATE | DWN | APVD |
| K2 | | REVISED PER ECR-17-017609 | 04DEC2017 | JB | DZ |
| K3 | | ECO-19-006502 | 30APR2019 | AP | WS |
| K4 | | REVISED PER ECN-23-206968 | 11APR2023 | WLS | VS |



- 1 MATERIAL:
HOUSING - UL 94V-0 RATED HIGH TEMP NYLON, COLOR BLACK.
CONTACTS - BRASS.
HOLDDOWNS - PHOSPHOR BRONZE.
- 2 RECOMMENDED PC BOARD THICKNESS OF 1.57.
- 3 KAPTON VACUUM PICK UP BUTTON.
- 4 DIMENSION APPLIES TO SOLDERTAIL SURFACES AND STANDOFF SURFACES.
- 5 ALL SOLDERTAILS.
- 6 PLATING:
CONTACTS - 0.76µm MINIMUM GOLD ON MATING AREA.
2.54µm MINIMUM MATTE TIN ON SOLDER TAILS.
ALL OVER 1.27µm MINIMUM NICKEL.
HOLDDOWNS - 2.54µm MINIMUM MATTE TIN OVER 1.27 MINIMUM NICKEL.
- 7 COUNTERPART RECOMMENDED IS PN 794617 (DASH ACC. TO NUMBER OF POSITION).
- 8 FOR REELING DIRECTION AND PACKAGING TYPE, SEE SPECIFICATION 114-13000.

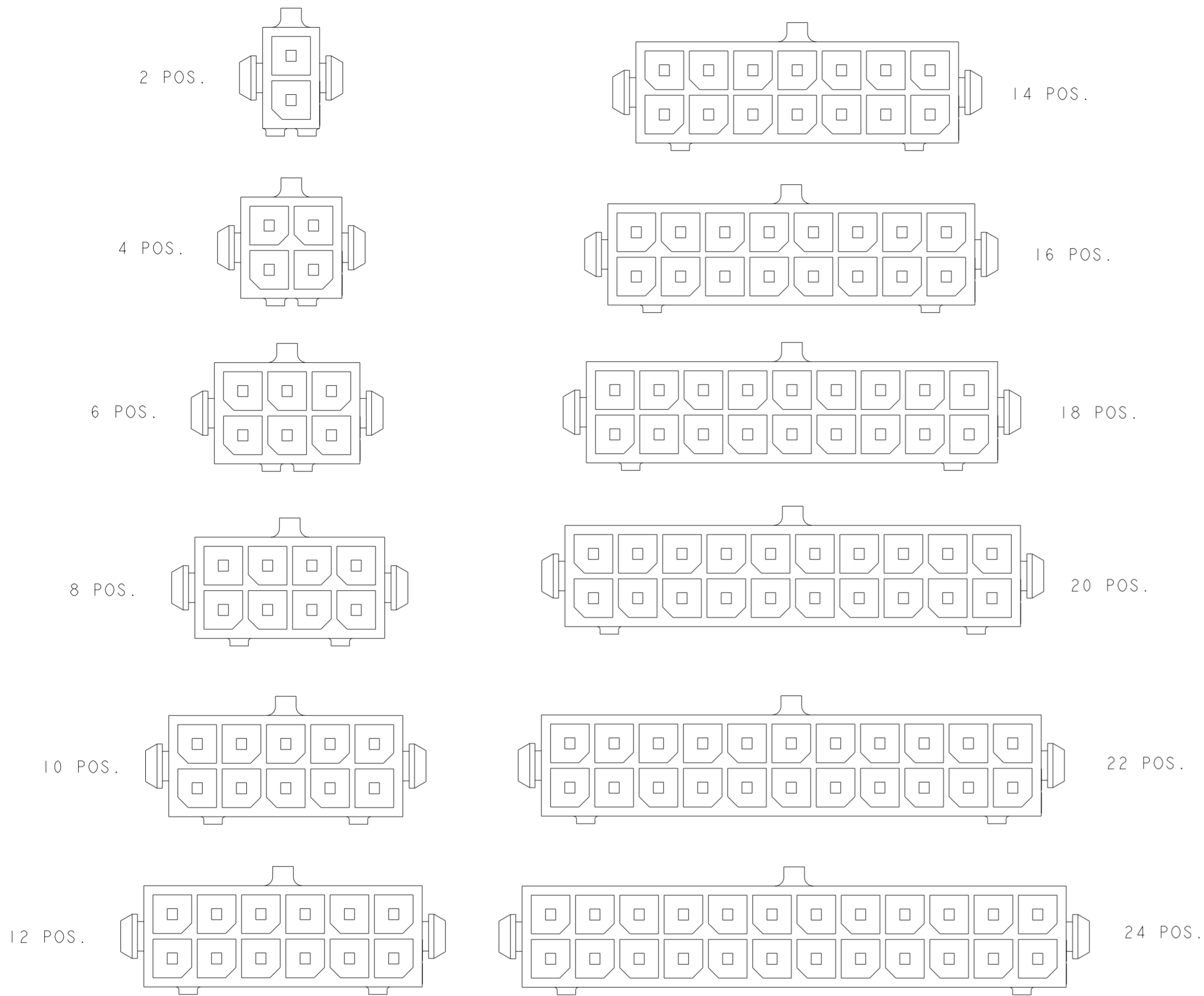


| 21.86 | 22.30 | 18.00 | 25.00 | 14 | 7-794635-4 |
|-------|-------|-------|-------|--------------|-------------|
| 36.86 | 37.30 | 33.00 | 40.00 | 24 | 5-794635-4 |
| 33.86 | 34.30 | 30.00 | 37.00 | 22 | 5-794635-2 |
| 30.86 | 31.30 | 27.00 | 34.00 | 20 | 5-794635-0 |
| 27.86 | 28.30 | 24.00 | 31.00 | 18 | 4-794635-8 |
| 24.86 | 25.30 | 21.00 | 28.00 | 16 | 4-794635-6 |
| 21.86 | 22.30 | 18.00 | 25.00 | 14 | 4-794635-4 |
| 18.86 | 19.30 | 15.00 | 22.00 | 12 | 4-794635-2 |
| 15.86 | 16.30 | 12.00 | 19.00 | 10 | 4-794635-0 |
| 12.86 | 13.30 | 9.00 | 16.00 | 8 | 3-794635-8 |
| 9.86 | 10.30 | 6.00 | 13.00 | 6 | 3-794635-6 |
| 6.86 | 7.30 | 3.00 | 10.00 | 4 | 3-794635-4 |
| 3.86 | 4.30 | - | 7.00 | 2 | 3-794635-2 |
| DIM V | DIM Y | DIM Z | DIM X | NO. OF POSN. | PART NUMBER |

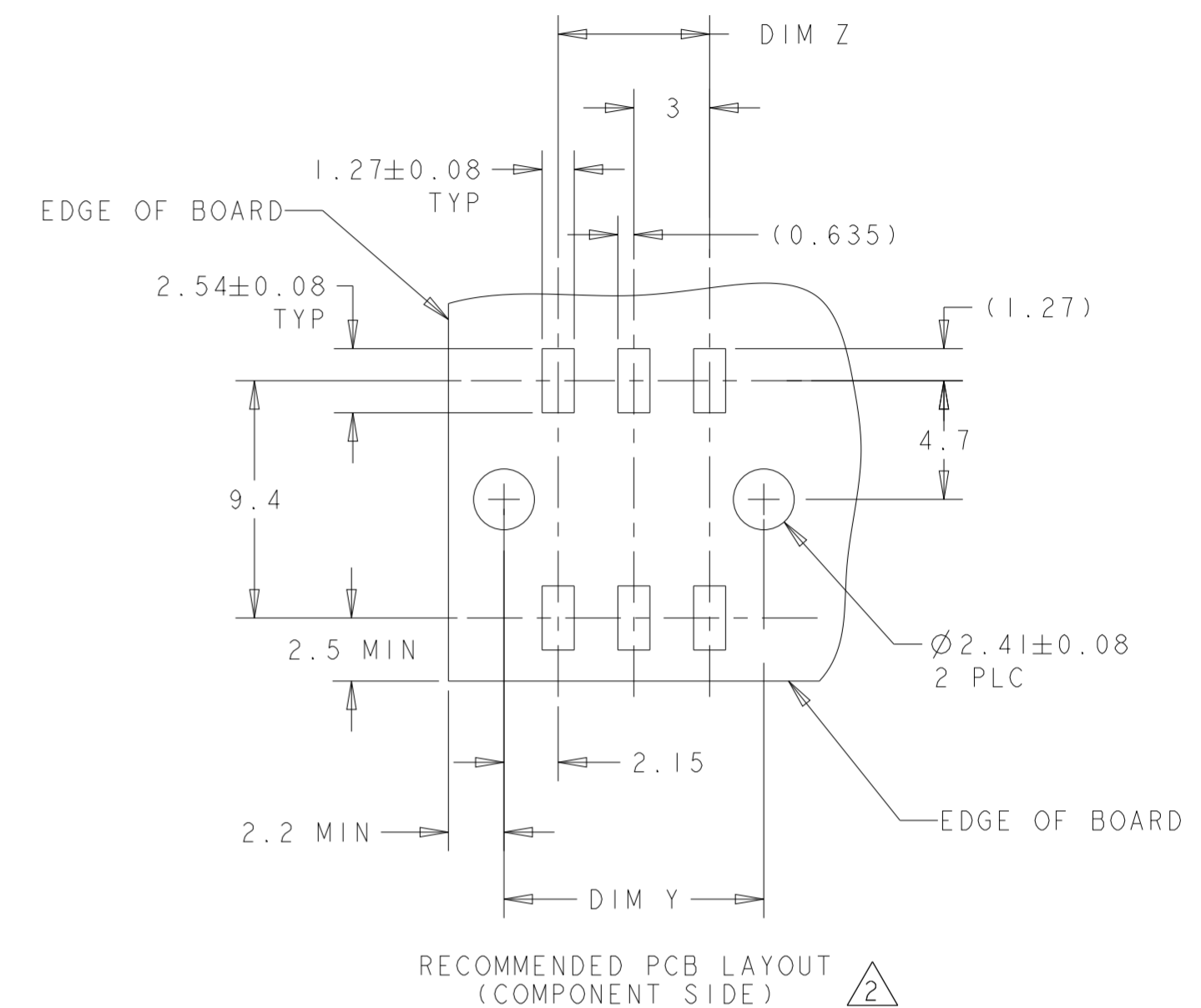
THIS DRAWING IS A CONTROLLED DOCUMENT.

| | | | | |
|-------------------|---|--|---|----------------------|
| DIMENSIONS: mm | TOLERANCES UNLESS OTHERWISE SPECIFIED: 0 PLC ± 1 PLC ± 2 PLC ±0.13 3 PLC ± 4 PLC ± ANGLES ±1° FINISH | DWN K. WHITAKER 19-MAR-2003 CHK C. JONES 19-MAR-2003 APVD C. JONES 19-MAR-2003 | TE Connectivity | |
| | | PRODUCT SPEC 108-1836 | NAME SURFACE MOUNT, VERTICAL, MECHANICAL HOLDDOWN, ASSEMBLY, 30 GOLD HEADER, DUAL ROW, MICRO MATE-N-LOK(TM) | |
| MATERIAL 1 | | APPLICATION SPEC 114-13000 | SIZE A2 | RESTRICTED TO - |
| | | WEIGHT - | CAGE CODE 0779 | DRAWING NO. C-794635 |
| CUSTOMER DRAWING | | SCALE 4:1 | SHEET 1 OF 2 | REV K4 |

| REVISIONS | | | | | |
|-----------|-----|-------------|------|-----|------|
| P | LTR | DESCRIPTION | DATE | DWN | APVD |
| - | - | SEE SHEET 1 | - | - | - |
| | | | | | |
| | | | | | |



KEYING BY POSITION SIZE



| | | | | | |
|---|--|-----------------------------------|------------------|--|------------------|
| THIS DRAWING IS A CONTROLLED DOCUMENT. | | DWN K. WHITAKER 19-MAR-2003 | | TE Connectivity | |
| DIMENSIONS: mm | | CHK C. JONES 19-MAR-2003 | | NAME SURFACE MOUNT, VERTICAL, MECHANICAL HOLDDOWN, ASSEMBLY, 30 GOLD HEADER, DUAL ROW, MICRO MATE-N-LOK(TM) | |
| TOLERANCES UNLESS OTHERWISE SPECIFIED: | | APVD C. JONES 19-MAR-2003 | PRODUCT SPEC | 108-1836 | APPLICATION SPEC |
| 0 PLC ±- | | 1 PLC ±- | 114-13000 | WEIGHT | - |
| 2 PLC ±0.13 | | 3 PLC ±- | CUSTOMER DRAWING | SCALE | 4:1 |
| 4 PLC ±- | | ANGLES ±° | FINISH | SHEET | 2 OF 2 |
| MATERIAL | | - | RESTRICTED TO | - | REV K4 |
| - | | - | A200779 | C-794635 | |