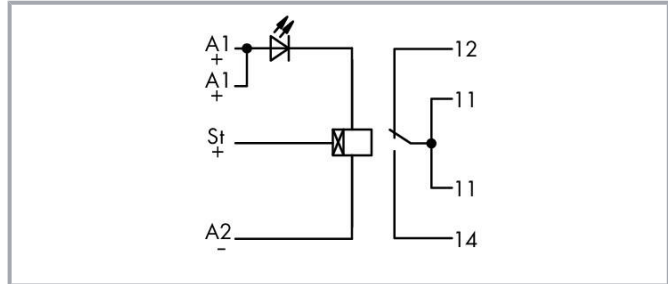
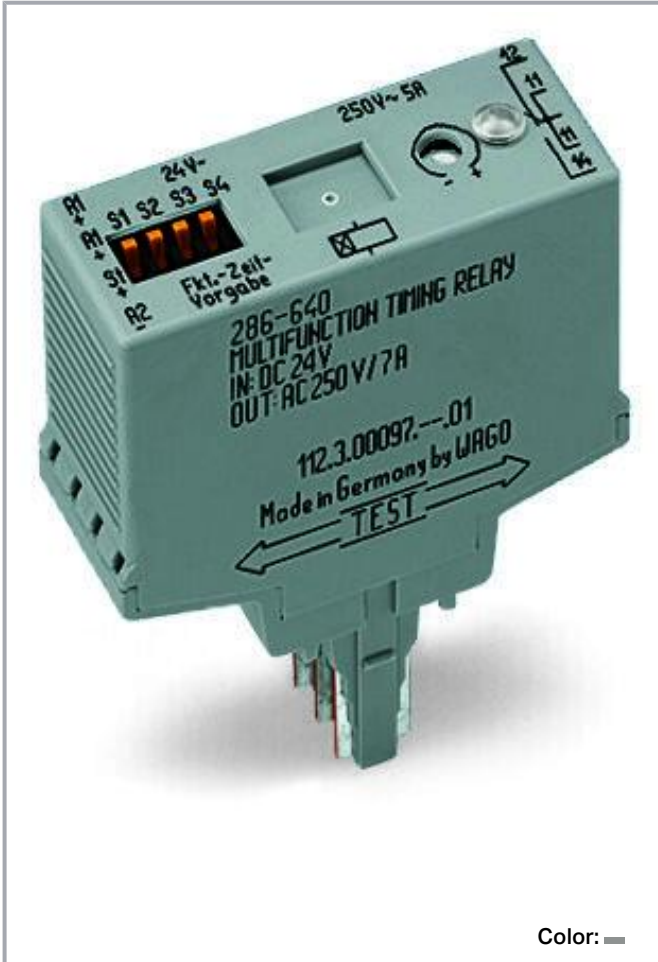


Data sheet | Item number: 286-640

Timer relay module; Nominal input voltage: 24 VDC; Limiting continuous current: 6 A; Railway; Multifunction/Multitime; Yellow status indicator; Module width: 6 mm; gray

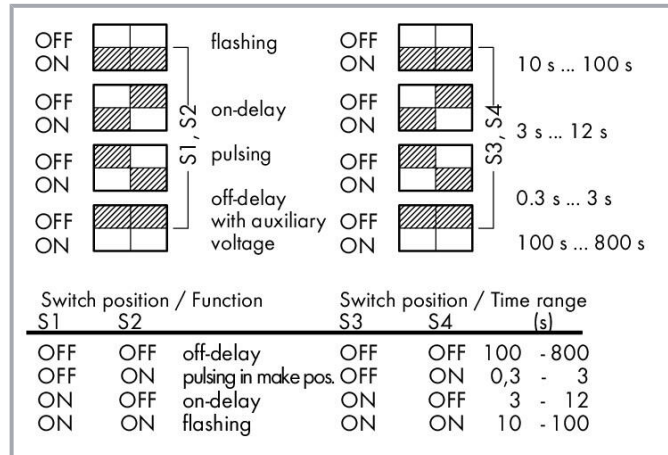
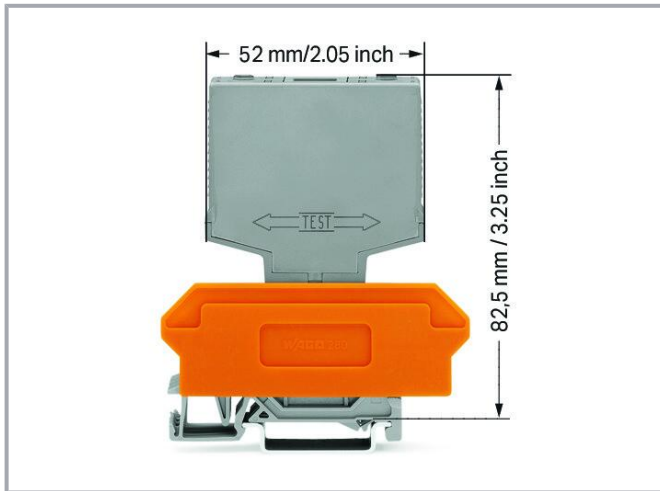
www.wago.com/286-640



Subject to changes. Please also observe the further product documentation!

WAGO GmbH & Co. KG
Hansastr. 27
32423 Minden
Phone: +49571 887-0 | Fax: +49571 887-169
Email: info.de@wago.com | Web: www.wago.com

Do you have any questions about our products?
We are always happy to take your call at +49 (571) 887-44222.



Item description

Finely adjusting time within these ranges can be made with the trimming potentiometer.

St+ is only connected with the function "off-delay with auxiliary voltage."

Data

Technical data

Control Circuit

Nominal input voltage U_N	DC 24 V
Nominal input current at U_N	24 mA
Time range	0.3 ... 3 s; 3 ... 12 s; 10 ... 100 s; 100 ... 800 s
Reset time	100 ms
Repeat accuracy	1 %

Load circuit

Number of changeover/switchover contacts	1
Contact material (relay)	AgNi + Au
Limiting continuous current	5 A
Inrush current (resistive) max.	(AC) 10 A / 4 s
Switching voltage (max.)	AC 250 V
Switching power (resistive) max.	AC 1250 VA
Bounce time (typ.)	2 ms

Subject to changes. Please also observe the further product documentation!

WAGO GmbH & Co. KG

Hansastr. 27

32423 Minden

Phone: +49571 887-0 | Fax: +49571 887-169

Email: info.de@wago.com | Web: www.wago.com

Do you have any questions about our products?

We are always happy to take your call at +49 (571) 887-44222.



Electrical life (NO; resistive load; 23 °C)	100 x 10 ³ switching operations
Mechanical life	15 x 10 ⁶ switching operations

Safety and protection

Rated voltage	250 V
Rated surge voltage	4 kV
Pollution degree	2
Dielectric strength (control/load circuit) (AC, 1 min)	3 kVrms
Protection type	IP20

Physical data

Width	20 mm / 0.787 inches
Height from upper-edge of DIN-rail	82.5 mm / 3.25 inches
Depth	52 mm / 2.047 inches

Mechanical data

Mounting type	Pluggable module for receptacle terminal blocks
---------------	---

Material Data

Color	gray
Fire load	1.013 MJ
Weight	34.5 g

Environmental requirements

Ambient temperature (operation at U _N)	-25 ... +40 °C
Processing temperature	-25 ... +50 °C
Operating altitude (max.)	2000 m

Standards and specifications

Standards/specifications	EN 60664-1
--------------------------	------------

Commercial data

Product Group	6 (INTERFACE ELECTRONIC)
eCl@ss 10.0	27-37-16-05
eCl@ss 9.0	27-37-16-05

Subject to changes. Please also observe the further product documentation!



ETIM 8.0	EC001439
ETIM 7.0	EC001439
PU (SPU)	10 (1) pcs
Packaging type	box
Country of origin	DE
GTIN	4050821806349
Customs tariff number	85364900990

Environmental Product Compliance

CAS-No.	7439-92-1 79-94-7
REACH Candidate List Substance	2,2',6,6'-tetrabromo-4,4'-isopropylidenediphenol Lead
RoHS Compliance Status	Compliant,With Exemption
RoHS Exemption	7(a) 7(c)-I 7(c)-II
SCIP notification number (Austria)	c0a31c1b-f19e-44fd-b1c7-1b8214701da2
SCIP notification number (Belgium)	fbfeac98-93f2-4c06-ba6a-8aaf276631b1
SCIP notification number (Bulgaria)	82f14479-261e-48a7-a6f1-92c123041952
SCIP notification number (Czech Republic)	b9ff3314-a916-4351-9c42-45444871388e
SCIP notification number (Denmark)	4e359781-f089-4753-b6cb-5f8a15c4f3de
SCIP notification number (Finland)	90a977b9-9a25-4813-b6b4-aa5c972b4bf8
SCIP notification number (France)	7a93b5fb-4bee-4908-9181-e7819ff1eb64
SCIP notification number (Germany)	94741950-ddca-496a-a6b3-a1d324af371b
SCIP notification number (Hungary)	7280d08d-6236-493e-9943-85d27b5b7aa2
SCIP notification number (Italy)	cc0f1b06-c5dc-415d-97b8-02df4cb0bd90
SCIP notification number (Netherlands)	b1322b48-4e67-4c2a-84e7-3556a28e32f0
SCIP notification number (Poland)	9e1b04aa-6643-4a99-a15a-8d922962aa2a
SCIP notification number (Romania)	6ebaa249-8eed-440a-853e-d21099531659
SCIP notification number (Sweden)	91cf499c-7ddd-4b10-b597-c7628297681f

Approvals / Certificates

General approvals

Logo	Approval	Additional Approval Text	Certificate name
	EAC Brjansker Zertifizierungsstelle	TP TC 020/2011	EAC_Certificate_RU_C- DE.AM02.B.00115_19

Subject to changes. Please also observe the further product documentation!

WAGO GmbH & Co. KG
Hansastr. 27
32423 Minden
Phone: +49571 887-0 | Fax: +49571 887-169
Email: info.de@wago.com | Web: www.wago.com

Do you have any questions about our products?
We are always happy to take your call at +49 (571) 887-44222.

Optional accessories

Terminal blocks

Terminal block for pluggable modules



Item no.: 280-628

Terminal block for pluggable modules; 8-pole; with 4-conductor terminal blocks; with orange separator; www.wago.com/280-628 for DIN-rail 35 x 15 and 35 x 7.5; 2.5 mm²; CAGE CLAMP®; 2,50 mm²; gray



Item no.: 280-638

Terminal block for pluggable modules; 8-pole; with 2-conductor terminal blocks; with orange separator; www.wago.com/280-638 for DIN-rail 35 x 15 and 35 x 7.5; 2.5 mm²; CAGE CLAMP®; 2,50 mm²; gray



Item no.: 280-764

Terminal block for pluggable modules; 8-pole; with 4-conductor terminal blocks; with marker carrier; www.wago.com/280-764 with orange separator; for DIN-rail 35 x 15 and 35 x 7.5; 2.5 mm²; CAGE CLAMP®; 2,50 mm²; gray

Marking accessories

Marker



Item no.: 209-701

WSB marking card; as card; not stretchable; plain; snap-on type; white

www.wago.com/209-701

Downloads

Documentation

Bid Text

286-640 X81 - Datei	2019 Feb 19	xml 4.4 kB	Download
286-640 doc - Datei	2015 Mar 27	doc 28.2 kB	Download

Instruction Leaflet

pdf
1.3 MB
Download

Additional Information

Disposal and Recycling Electrical and electronic equipment, Batteries, Packaging	V 1.1.0 2022 Aug 18	pdf 2.2 MB	Download
---	------------------------	---------------	----------

CAD/CAE-Data

CAE data

Subject to changes. Please also observe the further product documentation!

WAGO GmbH & Co. KG
Hansastr. 27
32423 Minden
Phone: +49571 887-0 | Fax: +49571 887-169
Email: info.de@wago.com | Web: www.wago.com

Do you have any questions about our products?
We are always happy to take your call at +49 (571) 887-44222.

EPLAN Data Portal 286-640

[URL](#)

[Download](#)

WSCAD Universe 286-640

[URL](#)

[Download](#)

Environmental Product Compliance

Compliance Search

Environmental Product Compliance 286-640

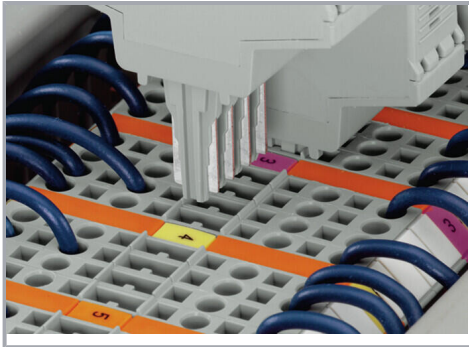
[URL](#)

[Download](#)

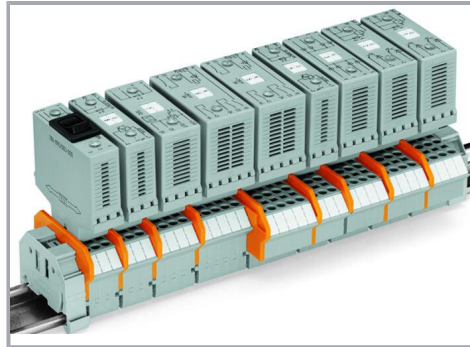
Timer relay module; Nominal input voltage: 24 VDC; Limiting continuous current: 6 A;
Railway; Multifunction/Multitime; Yellow status indicator; Module width: 6 mm; gray

Installation Notes

Installation



Coding ensures correct polarity.



Pluggable electronic modules on 2- or 4-conductor carrier terminal blocks

Marking



Marking via WMB Multi Marking System.

Subject to changes. Please also observe the further product documentation!

Testing



Function testing via touch-proof test slots

Subject to changes. Please also observe the further product documentation!

WAGO GmbH & Co. KG
Hansastr. 27
32423 Minden
Phone: +49571 887-0 | Fax: +49571 887-169
Email: info.de@wago.com | Web: www.wago.com

Do you have any questions about our products?
We are always happy to take your call at +49 (571) 887-44222.