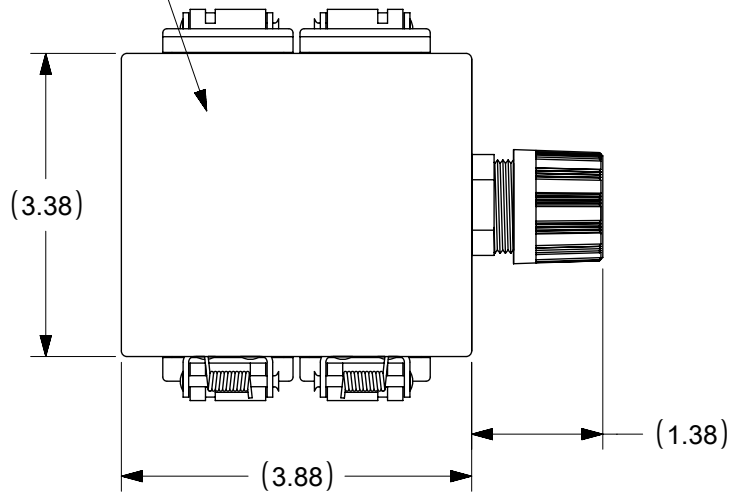
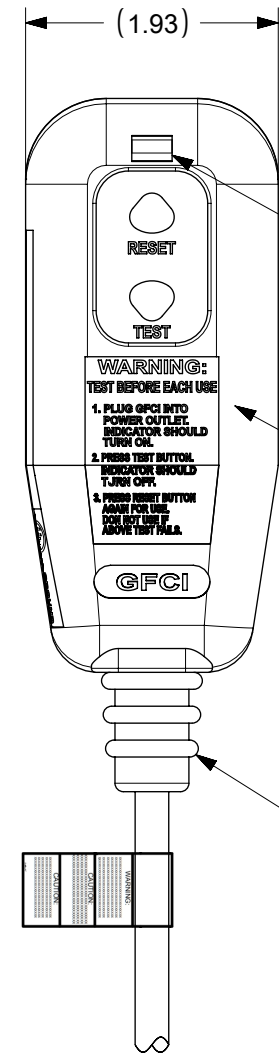
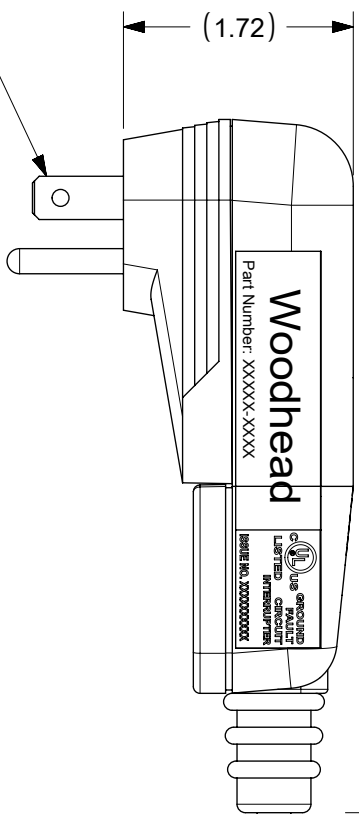


RUBBER BOX
COLOR: YELLOW



NEMA 5-15P
PLUG



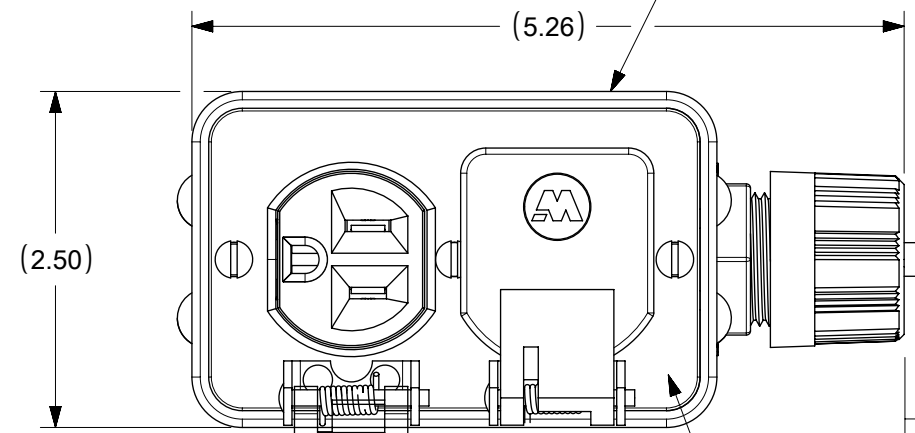
LED INDICATOR
CONFIRMS POWER
AND FAULT STATUS

HIGH STRENGTH
POLYCARBONATE
HOUSING
COLOR: BLACK

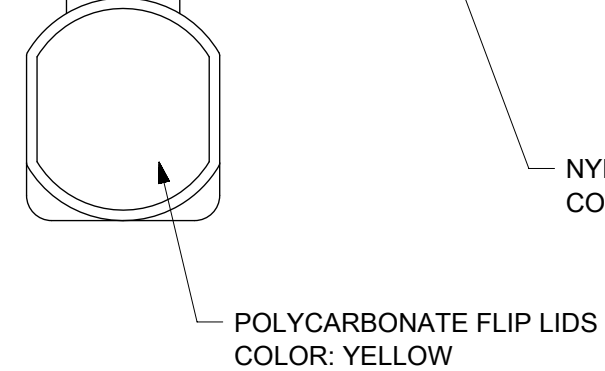
CORD STRAIN
RELIEF
COLOR: BLACK

#12-3 SJTW
300V CORD
COLOR: YELLOW

NEMA 5-15
SUPER-SAFEWAY
WATERTITE
DUAL-SIDED OUTLET BOX
PART #3005-1



NYLON COVER PLATE
COLOR: YELLOW



LENGTH "L"

TECHNICAL:
LISTED: UL AND cUL
RATED SUPPLY VOLTAGE: 120 VAC
RATED CURRENT: UP TO 15 AMPS OR CABLE RATING
RESET TYPE: AUTOMATIC OR MANUAL
OPERATING FREQUENCY: 60 Hz
TYPE: CLASS A
GROUND TRIP CURRENT: 4-6 mA
OVERLOAD CURRENT: 90 AMP 125 VAC
INSULATION VOLTAGE: 1,500 VRMS - 1 MINUTE
ENDURANCE OPERATIONS: 3000 OPERATIONS

MATERIAL NO.	ENGINEERING NO.	LENGTH "L"	POWER-UP
1301530084	15053W-2A	2 FT ± 1 IN	AUTO
1301530082	15053W-25A	25 FT ± 2 IN	AUTO
1301530087	15053W-50A	50 FT ± 4 IN	AUTO
1301530085	15053W-2M	2 FT ± 1 IN	MANUAL
1301530083	15053W-25M	25 FT ± 2 IN	MANUAL
1301530088	15053W-50M	50 FT ± 4 IN	MANUAL

THIS DRAWING CONTAINS INFORMATION THAT IS PROPRIETARY TO MOLEX ELECTRONIC TECHNOLOGIES, LLC AND SHOULD NOT BE USED WITHOUT WRITTEN PERMISSION

FUNCTIONAL SYMBOLS	DIMENSION UNITS	SCALE	CURRENT REV DESC: MIGRATION TO ECTR/NX
INCH	NTS		
GENERAL TOLERANCES (UNLESS SPECIFIED)			
ANGULAR TOL ± °			
4 PLACES ±			
DIVISIONAL SYMBOLS			
3 PLACES ±			
2 PLACES ±			
1 PLACE ±			
0 PLACES ±			
DRAFT WHERE APPLICABLE MUST REMAIN WITHIN DIMENSIONS	THIRD ANGLE PROJECTION	DRAWING	SERIES
		B-SIZE	130153
EC NO: 683960		2021/10/28	
DRWN: VBASUTHKARP		2021/11/15	
CHKD: DNGUYEN62		2022/01/21	
APPR: HKNEELAND			
INITIAL REVISION:			
DRWN: HRUIZ01		2013/02/08	
APPR: JFMURPHY		2015/04/20	
DOCUMENT NUMBER		DOC TYPE	DOC PART
SD-130153-020		PSD	001
CUSTOMER		REVISION	
GENERAL MARKET		A1	
MATERIAL NUMBER	CUSTOMER	SHEET NUMBER	
SEE TABLE	GENERAL MARKET	1 OF 1	