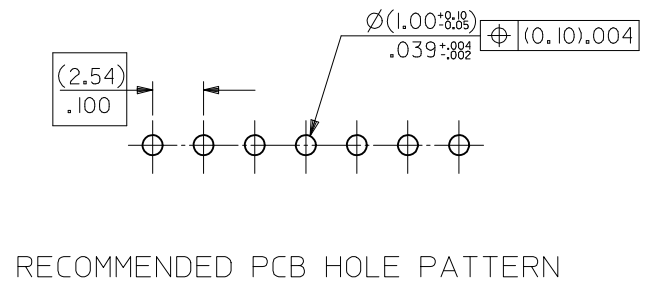
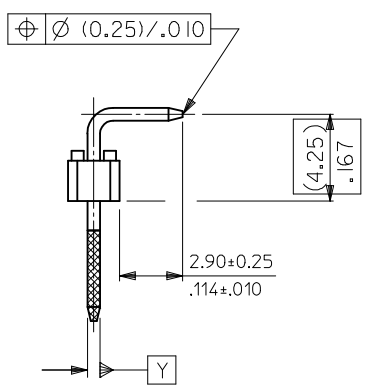
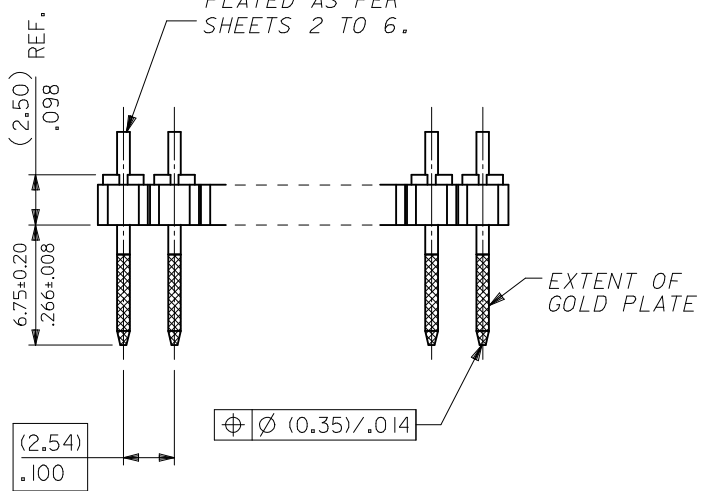


CKT SIZE	DIM. "A"		DIM. "B" (± 0.20 / $\pm .008$)		CKT SIZE	DIM. "A"		DIM. "B" (± 0.20 / $\pm .008$)	
1X 1			(2.54)	.100	1X21	(50.80)	2.000	(53.34)	2.100
1X 2	(2.54)	.100	(5.08)	.200	1X22	(53.34)	2.100	(55.88)	2.200
1X 3	(5.08)	.200	(7.62)	.300	1X23	(55.88)	2.200	(58.42)	2.300
1X 4	(7.62)	.300	(10.16)	.400	1X24	(58.42)	2.300	(60.96)	2.400
1X 5	(10.16)	.400	(12.70)	.500	1X25	(60.96)	2.400	(63.50)	2.500
1X 6	(12.70)	.500	(15.24)	.600	1X26	(63.50)	2.500	(66.04)	2.600
1X 7	(15.24)	.600	(17.78)	.700	1X27	(66.04)	2.600	(68.58)	2.700
1X 8	(17.78)	.700	(20.32)	.800	1X28	(68.58)	2.700	(71.12)	2.800
1X 9	(20.32)	.800	(22.86)	.900	1X29	(71.12)	2.800	(73.66)	2.900
1X10	(22.86)	.900	(25.40)	1.000	1X30	(73.66)	2.900	(76.20)	3.000
1X11	(25.40)	1.000	(27.94)	1.100	1X31	(76.20)	3.000	(78.74)	3.100
1X12	(27.94)	1.100	(30.48)	1.200	1X32	(78.74)	3.100	(81.28)	3.200
1X13	(30.48)	1.200	(33.02)	1.300	1X33	(81.28)	3.200	(83.82)	3.300
1X14	(33.02)	1.300	(35.56)	1.400	1X34	(83.82)	3.300	(86.36)	3.400
1X15	(35.56)	1.400	(38.10)	1.500	1X35	(86.36)	3.400	(88.90)	3.500
1X16	(38.10)	1.500	(40.64)	1.600	1X36	(88.90)	3.500	(91.44)	3.600
1X17	(40.64)	1.600	(43.18)	1.700	1X37	(91.44)	3.600	(93.98)	3.700
1X18	(43.18)	1.700	(45.72)	1.800	1X38	(93.98)	3.700	(96.52)	3.800
1X19	(45.72)	1.800	(48.26)	1.900	1X39	(96.52)	3.800	(99.06)	3.900
1X20	(48.26)	1.900	(50.80)	2.000	1X40	(99.06)	3.900	(101.60)	4.000

WAFER: 15% GLASS FILLED POLYESTER TO UL 94V-0. COLOUR: BLACK.

PINS: (0.635)/.025 SQ. BRASS WIRE. PLATED AS PER SHEETS 2 TO 6.



- NOTES
- PLEASE REFER TO SHT 2 FOR PLATING DETAILS.
 - PLEASE REFER TO SHT 3-7 FOR DIMENSIONS C & D.
 - RECOMMENDED PCB THICKNESS 1.60MM
 - PRODUCT SPECIFICATION: PS-99020-0001.
 - PACKAGING REFER TO PK-90120-100

ADD SHT 3 EC NO: S2013-0915 DRWN:ATSEE CH'KD:CGOH APPR:KHLIM M1	QUALITY SYMBOLS $\nabla F=0$ $\nabla F=0$ $\nabla F=0$	GENERAL TOLERANCES (UNLESS SPECIFIED)		DIMENSION STYLE MM ONLY		SCALE NTS	DESIGN UNITS METRIC	THIRD ANGLE PROJECTION		
		4 PLACES	± ---	± ---	DRAWN BY	DATE	TITLE C-GRID III SINGLE ROW RIGHT ANGLE HEADER molex			
		3 PLACES	± ---	± ---	CHECKED BY	DATE				
		2 PLACES	± 0.20	± ---	APPROVED BY	DATE	MATERIAL NO. SEE TABLE	DOCUMENT NO. SD-90121-001	SHEET NO. 1 OF 3	
1 PLACE	± ---	± ---	ANGULAR ± 3°		THIS DRAWING CONTAINS INFORMATION THAT IS PROPRIETARY TO MOLEX INCORPORATED AND SHOULD NOT BE USED WITHOUT WRITTEN PERMISSION					
0 PLACE	±	±	DRAFT WHERE APPLICABLE MUST REMAIN WITHIN DIMENSIONS							

PLATING OPTIONS

PLATING	PLATING DESCRIPTION
A	3.00µm MIN TIN OVER 1.27MIN NICKEL OVERALL
E	0.38µm MIN GOLD IN SELECTED AREA (2 SIDES) AND 3.00µm MIN TIN IN SELECTED AREA AND 1.30µm MIN NICKEL OVERALL
F	0.76µm MIN GOLD IN SELECTED AREA (2 SIDES) AND 3.00µm MIN TIN IN SELECTED AREA AND 1.30µm MIN NICKEL OVERALL
G	0.05-0.10µm GOLD FLASH IN SELECTED AREA (2 SIDES) AND 3.00µm MIN TIN IN SELECTED AREA AND 1.30µm MIN NICKEL OVERALL

CIRCUIT SIZE	PLATING TYPE A	PLATING TYPE E	PLATING TYPE F	PLATING TYPE G
	PART NO.	PART NO.	PART NO.	PART NO.
1 X 1	90121-0121	90121-0761	90121-0921	90121-1081
1 X 2	↑ -0122	↑ -0762	↑ -0922	↑ -1082
1 X 3	-0123	-0763	-0923	-1083
1 X 4	-0124	-0764	-0924	-1084
1 X 5	-0125	-0765	-0925	-1085
1 X 6	-0126	-0766	-0926	-1086
1 X 7	-0127	-0767	-0927	-1087
1 X 8	-0128	-0768	-0928	-1088
1 X 9	-0129	-0769	-0929	-1089
1 X 10	-0130	-0770	-0930	-1090
1 X 11	-0131	-0771	-0931	-1091
1 X 12	-0132	-0772	-0932	-1092
1 X 13	-0133	-0773	-0933	-1093
1 X 14	-0134	-0774	-0934	-1094
1 X 15	-0135	-0775	-0935	-1095
1 X 16	-0136	-0776	-0936	-1096
1 X 17	-0137	-0777	-0937	-1097
1 X 18	-0138	-0778	-0938	-1098
1 X 19	-0139	-0779	-0939	-1099
1 X 20	-0140	-0780	-0940	-1100
1 X 21	-0141	-0781	-0941	-1101
1 X 22	-0142	-0782	-0942	-1102
1 X 23	-0143	-0783	-0943	-1103
1 X 24	-0144	-0784	-0944	-1104
1 X 25	-0145	-0785	-0945	-1105
1 X 26	-0146	-0786	-0946	-1106
1 X 27	-0147	-0787	-0947	-1107
1 X 28	-0148	-0788	-0948	-1108
1 X 29	-0149	-0789	-0949	-1109
1 X 30	-0150	-0790	-0950	-1110
1 X 31	-0151	-0791	-0951	-1111
1 X 32	-0152	-0792	-0952	-1112
1 X 33	-0153	-0793	-0953	-1113
1 X 34	-0154	-0794	-0954	-1114
1 X 35	-0155	-0795	-0955	-1115
1 X 36	-0156	-0796	-0956	-1116
1 X 37	-0157	-0797	-0957	-1117
1 X 38	-0158	-0798	-0958	-1118
1 X 39	↓ -0159	↓ -0799	↓ -0959	↓ -1119
1 X 40	90121-0160	90121-0800	90121-0960	90121-1120

ADD SHT 3 EC NO: S2013-0915 DRW:ATSEE CH:KD:G0H APPR:KHL IM 2013/06/28 2014/11/26 2014/11/28	QUALITY SYMBOLS ▽=0 ▽=0 ▽=0	GENERAL TOLERANCES (UNLESS SPECIFIED)		DIMENSION STYLE MM ONLY		SCALE NTS	DESIGN UNITS METRIC	THIRD ANGLE PROJECTION		
		4 PLACES ± --- ± ---	3 PLACES ± --- ± ---	2 PLACES ± 0.20 ± ---	1 PLACE ± --- ± ---	0 PLACE ± ±	DRAWN BY DB	DATE 1987/07/16	TITLE C-GRID III SINGLE ROW RIGHT ANGLE HEADER	
		ANGULAR ± 3 °		DRAFT WHERE APPLICABLE MUST REMAIN WITHIN DIMENSIONS		APPROVED BY MLONG		DATE 2012/02/24	MATERIAL NO. SEE TABLE	
		M1		SIZE A3		THIS DRAWING CONTAINS INFORMATION THAT IS PROPRIETARY TO MOLEX INCORPORATED AND SHOULD NOT BE USED WITHOUT WRITTEN PERMISSION		DOCUMENT NO. SD-90121-001	SHEET NO. 2 OF 3	

F

F

ASSEMBLIES WITH VOIDED CIRCUIT OPTION

E

E

PART NO.	CKT SIZE	VOID CKT	PLATING
90121-1224	1 X 4	3	A

D

D

C

C

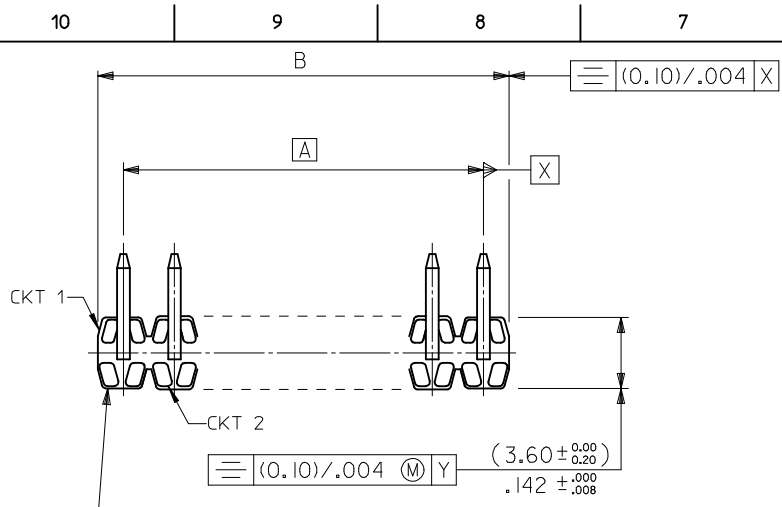
B

B

A

A

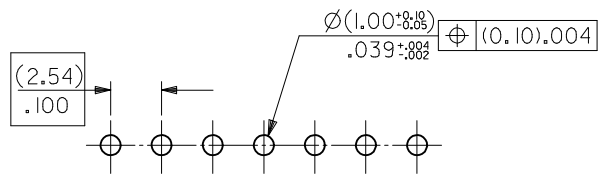
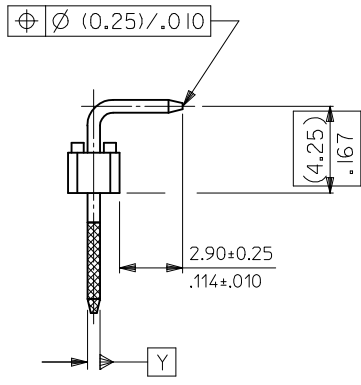
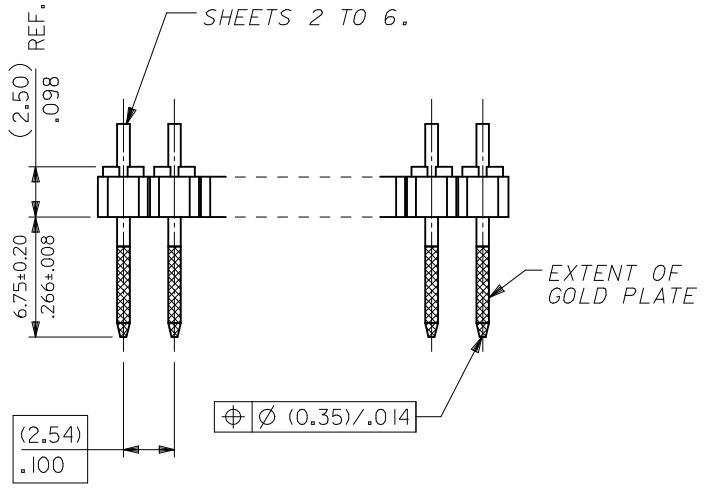
ADD SHT 3 EC NO: S2013-0915 DRWN:ATSEE 2013/06/28 CHKD:CGOH 2014/11/26 APPR:KHLIM 2014/11/28	DESCRIPTION REV	QUALITY SYMBOLS	GENERAL TOLERANCES (UNLESS SPECIFIED)		DIMENSION STYLE MM ONLY		SCALE NTS	DESIGN UNITS METRIC	THIRD ANGLE PROJECTION			
		$\nabla_A = 0$ $\nabla_C = 0$ $\nabla_P = 0$	mm	INCH	DRAWN BY DB	DATE 1987/07/16	TITLE C-GRID III SINGLE ROW RIGHT ANGLE HEADER					
		4 PLACES ± --- ± --- 3 PLACES ± --- ± --- 2 PLACES ± 0.20 ± --- 1 PLACE ± --- ± --- 0 PLACE ± ±	ANGULAR ± 3 °		CHECKED BY DB	DATE 1987/07/16	molex					
		DRAFT WHERE APPLICABLE MUST REMAIN WITHIN DIMENSIONS		SEE TABLE		APPROVED BY MLONG	DATE 2012/02/24	DOCUMENT NO. SD-90121-001			SHEET NO. 3 OF 3	
M1		SIZE A3		THIS DRAWING CONTAINS INFORMATION THAT IS PROPRIETARY TO MOLEX INCORPORATED AND SHOULD NOT BE USED WITHOUT WRITTEN PERMISSION								



CKT SIZE	DIM. " A "		DIM. " B " (± 0.20 / $\pm .008$)		CKT SIZE	DIM. " A "		DIM. " B " (± 0.20 / $\pm .008$)	
1X 1			(2.54)	.100	1X21	(50.80)	2.000	(53.34)	2.100
1X 2	(2.54)	.100	(5.08)	.200	1X22	(53.34)	2.100	(55.88)	2.200
1X 3	(5.08)	.200	(7.62)	.300	1X23	(55.88)	2.200	(58.42)	2.300
1X 4	(7.62)	.300	(10.16)	.400	1X24	(58.42)	2.300	(60.96)	2.400
1X 5	(10.16)	.400	(12.70)	.500	1X25	(60.96)	2.400	(63.50)	2.500
1X 6	(12.70)	.500	(15.24)	.600	1X26	(63.50)	2.500	(66.04)	2.600
1X 7	(15.24)	.600	(17.78)	.700	1X27	(66.04)	2.600	(68.58)	2.700
1X 8	(17.78)	.700	(20.32)	.800	1X28	(68.58)	2.700	(71.12)	2.800
1X 9	(20.32)	.800	(22.86)	.900	1X29	(71.12)	2.800	(73.66)	2.900
1X10	(22.86)	.900	(25.40)	1.000	1X30	(73.66)	2.900	(76.20)	3.000
1X11	(25.40)	1.000	(27.94)	1.100	1X31	(76.20)	3.000	(78.74)	3.100
1X12	(27.94)	1.100	(30.48)	1.200	1X32	(78.74)	3.100	(81.28)	3.200
1X13	(30.48)	1.200	(33.02)	1.300	1X33	(81.28)	3.200	(83.82)	3.300
1X14	(33.02)	1.300	(35.56)	1.400	1X34	(83.82)	3.300	(86.36)	3.400
1X15	(35.56)	1.400	(38.10)	1.500	1X35	(86.36)	3.400	(88.90)	3.500
1X16	(38.10)	1.500	(40.64)	1.600	1X36	(88.90)	3.500	(91.44)	3.600
1X17	(40.64)	1.600	(43.18)	1.700	1X37	(91.44)	3.600	(93.98)	3.700
1X18	(43.18)	1.700	(45.72)	1.800	1X38	(93.98)	3.700	(96.52)	3.800
1X19	(45.72)	1.800	(48.26)	1.900	1X39	(96.52)	3.800	(99.06)	3.900
1X20	(48.26)	1.900	(50.80)	2.000	1X40	(99.06)	3.900	(101.60)	4.000

WAFER: 15% GLASS FILLED POLYESTER TO UL 94V-0. COLOUR : BLACK.

PINS: (0.635)/.025 SQ. BRASS WIRE. PLATED AS PER SHEETS 2 TO 6.



RECOMMENDED PCB HOLE PATTERN

- NOTES
- PLEASE REFER TO SHT 2 FOR PLATING DETAILS.
 - PLEASE REFER TO SHT 3-7 FOR DIMENSIONS C & D.
 - RECOMMENDED PCB THICKNESS 1.60MM
 - PRODUCT SPECIFICATION: PS-99020-0001.
 - PACKAGING REFER TO PK-90120-100

ADD SHT 3 EC NO: S2013-0915 DRWN:ATSEE CH'KD:CGOH APPR:KHLIM M1	QUALITY SYMBOLS $\nabla F=0$ $\nabla F=0$ $\nabla F=0$	GENERAL TOLERANCES (UNLESS SPECIFIED)		DIMENSION STYLE MM ONLY		SCALE NTS	DESIGN UNITS METRIC	THIRD ANGLE PROJECTION			
		4 PLACES \pm --- \pm --- 3 PLACES \pm --- \pm --- 2 PLACES ± 0.20 \pm --- 1 PLACE \pm --- \pm --- 0 PLACE \pm \pm	mm INCH	DRAWN BY DB	DATE 1987/07/16	TITLE C-GRID III SINGLE ROW RIGHT ANGLE HEADER					
		ANGULAR $\pm 3^\circ$ DRAFT WHERE APPLICABLE MUST REMAIN WITHIN DIMENSIONS		CHECKED BY DB	DATE 1987/07/16	molex					
		SEE TABLE		APPROVED BY MLONG	DATE 2012/02/24	DOCUMENT NO. SD-90121-001			SHEET NO. 1 OF 3		
THIS DRAWING CONTAINS INFORMATION THAT IS PROPRIETARY TO MOLEX INCORPORATED AND SHOULD NOT BE USED WITHOUT WRITTEN PERMISSION											

PLATING OPTIONS

PLATING	PLATING DESCRIPTION
A	3.00µm MIN TIN OVER 1.27MIN NICKEL OVERALL
E	0.38µm MIN GOLD IN SELECTED AREA (2 SIDES) AND 3.00µm MIN TIN IN SELECTED AREA AND 1.30µm MIN NICKEL OVERALL
F	0.76µm MIN GOLD IN SELECTED AREA (2 SIDES) AND 3.00µm MIN TIN IN SELECTED AREA AND 1.30µm MIN NICKEL OVERALL
G	0.05-0.10µm GOLD FLASH IN SELECTED AREA (2 SIDES) AND 3.00µm MIN TIN IN SELECTED AREA AND 1.30µm MIN NICKEL OVERALL

CIRCUIT SIZE	PLATING TYPE A	PLATING TYPE E	PLATING TYPE F	PLATING TYPE G
	PART NO.	PART NO.	PART NO.	PART NO.
1 X 1	90121-0121	90121-0761	90121-0921	90121-1081
1 X 2	↑ -0122	↑ -0762	↑ -0922	↑ -1082
1 X 3	-0123	-0763	-0923	-1083
1 X 4	-0124	-0764	-0924	-1084
1 X 5	-0125	-0765	-0925	-1085
1 X 6	-0126	-0766	-0926	-1086
1 X 7	-0127	-0767	-0927	-1087
1 X 8	-0128	-0768	-0928	-1088
1 X 9	-0129	-0769	-0929	-1089
1 X 10	-0130	-0770	-0930	-1090
1 X 11	-0131	-0771	-0931	-1091
1 X 12	-0132	-0772	-0932	-1092
1 X 13	-0133	-0773	-0933	-1093
1 X 14	-0134	-0774	-0934	-1094
1 X 15	-0135	-0775	-0935	-1095
1 X 16	-0136	-0776	-0936	-1096
1 X 17	-0137	-0777	-0937	-1097
1 X 18	-0138	-0778	-0938	-1098
1 X 19	-0139	-0779	-0939	-1099
1 X 20	-0140	-0780	-0940	-1100
1 X 21	-0141	-0781	-0941	-1101
1 X 22	-0142	-0782	-0942	-1102
1 X 23	-0143	-0783	-0943	-1103
1 X 24	-0144	-0784	-0944	-1104
1 X 25	-0145	-0785	-0945	-1105
1 X 26	-0146	-0786	-0946	-1106
1 X 27	-0147	-0787	-0947	-1107
1 X 28	-0148	-0788	-0948	-1108
1 X 29	-0149	-0789	-0949	-1109
1 X 30	-0150	-0790	-0950	-1110
1 X 31	-0151	-0791	-0951	-1111
1 X 32	-0152	-0792	-0952	-1112
1 X 33	-0153	-0793	-0953	-1113
1 X 34	-0154	-0794	-0954	-1114
1 X 35	-0155	-0795	-0955	-1115
1 X 36	-0156	-0796	-0956	-1116
1 X 37	-0157	-0797	-0957	-1117
1 X 38	-0158	-0798	-0958	-1118
1 X 39	↓ -0159	↓ -0799	↓ -0959	↓ -1119
1 X 40	90121-0160	90121-0800	90121-0960	90121-1120

ADD SHT 3 EC NO: S2013-0915 DRW:NATSEE CH'KD:CGOH APPR:KHLIM 2013/06/28 2014/11/26 2014/11/28	QUALITY SYMBOLS ▽=0 ▽=0 ▽=0	GENERAL TOLERANCES (UNLESS SPECIFIED)		DIMENSION STYLE MM ONLY		SCALE NTS	DESIGN UNITS METRIC	THIRD ANGLE PROJECTION
		4 PLACES ± --- ± ---	DRAWN BY DB	DATE 1987/07/16	TITLE C-GRID III SINGLE ROW RIGHT ANGLE HEADER molex DOCUMENT NO. SD-90121-001			
		3 PLACES ± --- ± ---	CHECKED BY DB	DATE 1987/07/16				
		2 PLACES ± 0.20 ± ---	APPROVED BY MLONG	DATE 2012/02/24				
1 PLACE ± --- ± ---	MATERIAL NO. SEE TABLE							
0 PLACE ± ±	ANGULAR ± 3 °		SHEET NO. 2 OF 3					
DRAFT WHERE APPLICABLE MUST REMAIN WITHIN DIMENSIONS		THIS DRAWING CONTAINS INFORMATION THAT IS PROPRIETARY TO MOLEX INCORPORATED AND SHOULD NOT BE USED WITHOUT WRITTEN PERMISSION						

ASSEMBLIES WITH VOIDED CIRCUIT OPTION

PART NO.	CKT SIZE	VOID CKT	PLATING
90121-1224	1 X 4	3	A

ADD SHT 3 EC NO: S2013-0915 DRWN:ATSEE 2013/06/28 CHKD:CGOH 2014/11/26 APPR:KHLIM 2014/11/28	DESCRIPTION REV	QUALITY SYMBOLS	GENERAL TOLERANCES (UNLESS SPECIFIED)	DIMENSION STYLE	SCALE	DESIGN UNITS	THIRD ANGLE PROJECTION
		$\nabla_A = 0$ $\nabla_C = 0$ $\nabla_P = 0$	mm INCH 4 PLACES ± --- ± --- 3 PLACES ± --- ± --- 2 PLACES ± 0.20 ± --- 1 PLACE ± --- ± --- 0 PLACE ± ±	MM ONLY	NTS	METRIC	C-GRID III SINGLE ROW RIGHT ANGLE HEADER molex
		DRAWN BY: DB DATE: 1987/07/16 CHECKED BY: DB DATE: 1987/07/16 APPROVED BY: MLONG DATE: 2012/02/24	MATERIAL NO. SEE TABLE	TITLE SD-90121-001	SHEET NO. 3 OF 3		
		M1	ANGULAR ± 3 ° DRAFT WHERE APPLICABLE MUST REMAIN WITHIN DIMENSIONS	SIZE A3	THIS DRAWING CONTAINS INFORMATION THAT IS PROPRIETARY TO MOLEX INCORPORATED AND SHOULD NOT BE USED WITHOUT WRITTEN PERMISSION		