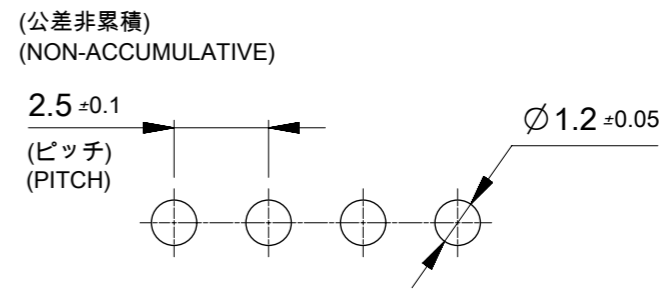
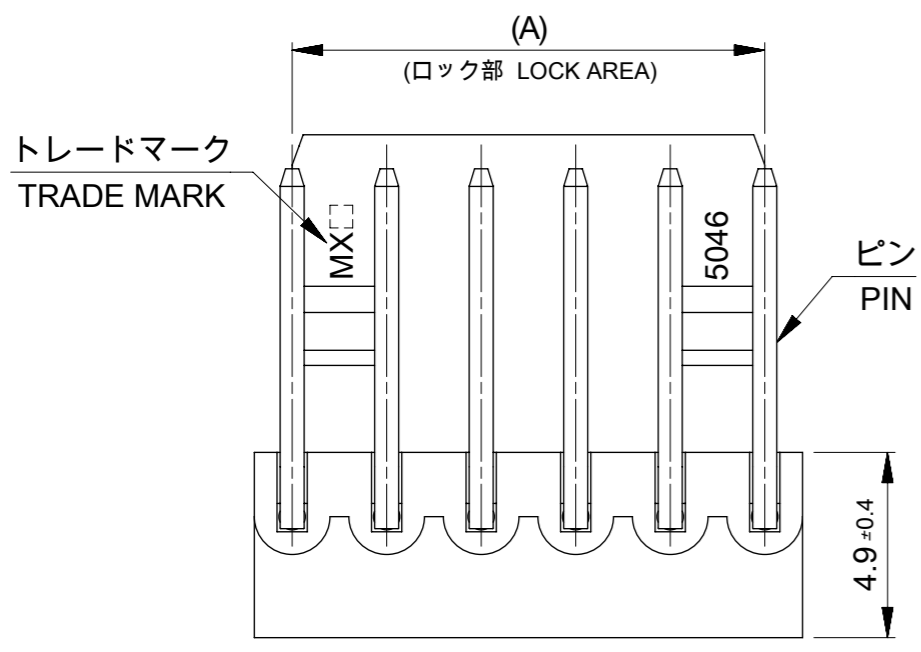


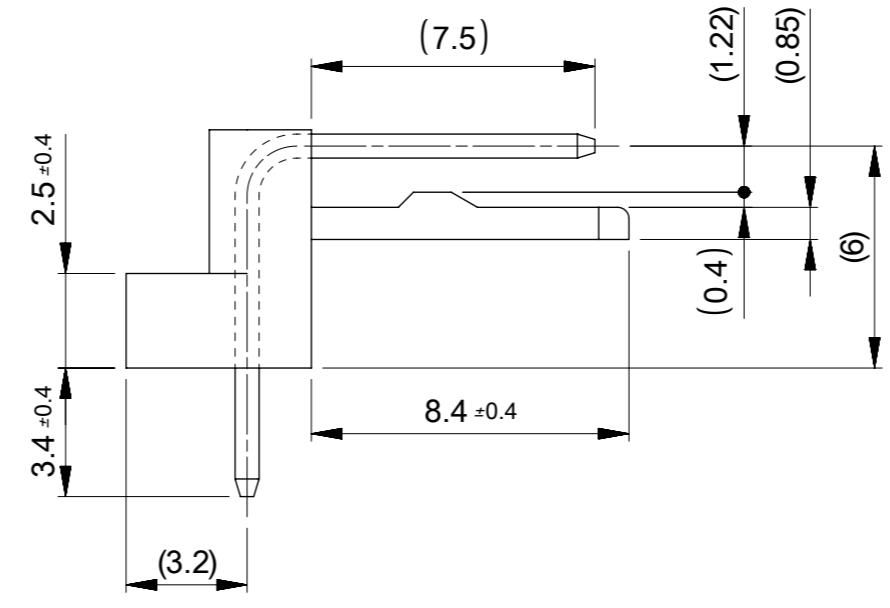
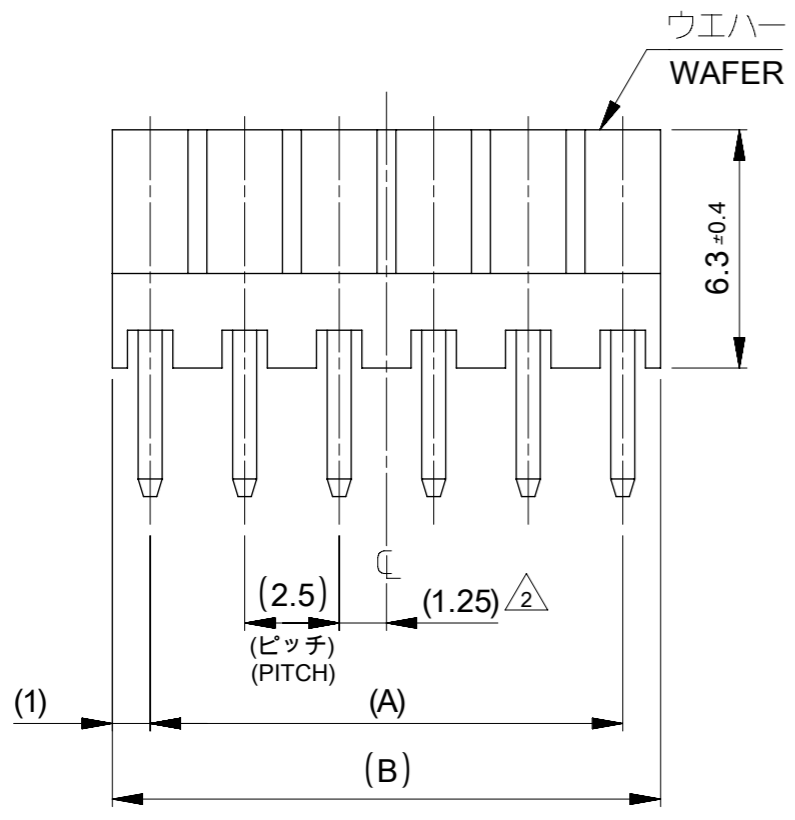
注記

NOTES:

1. 材料(MATERIAL)  
 ウェハー : ポリアミド, UL94V-0  
 WAFER: POLYAMIDE, UL94V-0  
 ピン: □0.635 黄銅、銅下地すずめっき  
 PIN: □0.635 BRASS, TIN OVER COPPER PLATING.
2. 全極数が偶数の場合のみ適用。  
 APPLY FOR EVEN CIRCUITS PRODUCT ONLY.
3. 本図面はSD-5046-NA REV-Jの再作成図面です。  
 THIS DOCUMENT HAS BEEN RE-DRAWING BASED ON SD-5046-NA, REV-J.



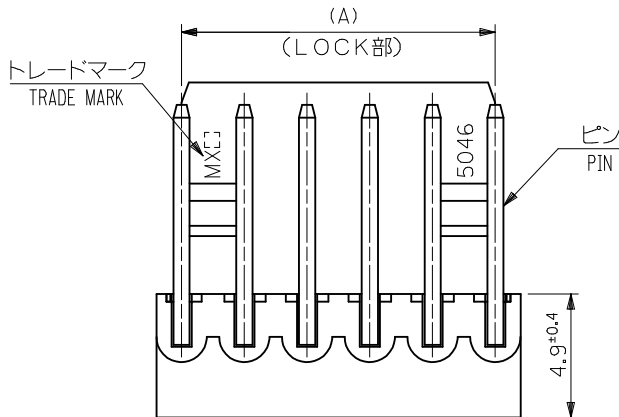
基板取付穴推奨寸法  
 RECOMMENDED P.W.BOARD HOLE DIM.



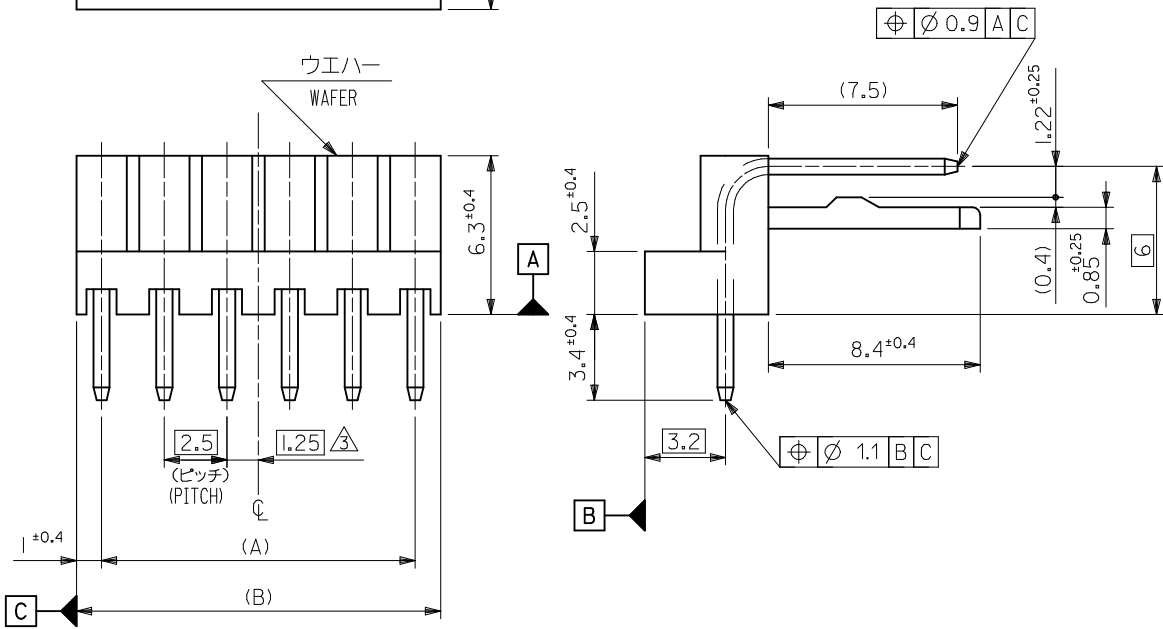
37	35	22051152	5046-15A	15
34.5	32.5	22051142	5046-14A	14
32	30	22051132	5046-13A	13
29.5	27.5	22051122	5046-12A	12
27	25	22051112	5046-11A	11
24.5	22.5	22051102	5046-10A	10
22	20	22051092	5046-09A	9
19.5	17.5	22051082	5046-08A	8
17	15	22051072	5046-07A	7
14.5	12.5	22051062	5046-06A	6
12	10	22051052	5046-05A	5
9.5	7.5	22051042	5046-04A	4
7	5	22051032	5046-03A	3
4.5	2.5	22051022	5046-02A	2
(B)	(A)	ORDER NO.	ENG. NO.	CKT.

THIS DRAWING CONTAINS INFORMATION THAT IS PROPRIETARY TO MOLEX ELECTRONIC TECHNOLOGIES, LLC AND SHOULD NOT BE USED WITHOUT WRITTEN PERMISSION

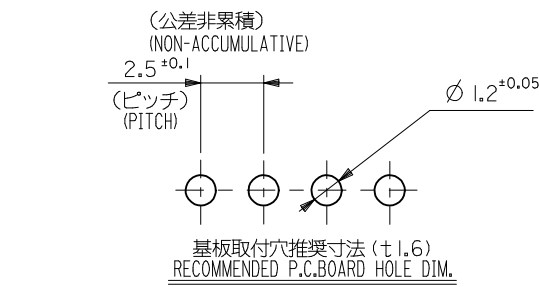
DIMENSION UNITS	SCALE	CURRENT REV DESC: REVISED&REDRAWING		
mm	5:1			
GENERAL TOLERANCES (UNLESS SPECIFIED)				
ANGULAR TOL	± °	EC NO: 603664 DRWN: TAKAIKE 2018/04/17 CHK'D: SAKIYAMA 2019/06/21 APPR: KOMURAKAMI 2019/06/21		
4 PLACES	±	PRODUCT CUSTOMER DRAWING		
3 PLACES	±	DOCUMENT NUMBER		
2 PLACES	± 0.2	50460002		
1 PLACE	± 0.2	DOC TYPE DOC PART REVISION		
0 PLACES	± 0.2	PSD 000 A		
DRAFT WHERE APPLICABLE MUST REMAIN WITHIN DIMENSIONS	THIRD ANGLE PROJECTION	DRAWING	SERIES	MATERIAL NUMBER
		A3-SIZE	5046	SEE CHART
				CUSTOMER
				GENERAL
				SHEET NUMBER
				1 OF 1



- 注記  
NOTES :
1. そりは長さ25. 4に対して0. 2MAX. CAMBER MUST BE WITHIN 0.2MAX. PER 25.4 .
  2. 材料(MATERIAL)  
ウエハー:ポリアミド, UL94V-0  
WAFER:POLYAMIDE, UL94V-0  
ピン:φ0.635 黄銅, 銅下地錫メッキ  
PIN:φ0.635 BRASS, TIN OVER COPPER PLATING.
  3. 全極数が偶数の場合のみ適用。  
APPLY FOR EVEN CIRCUITS PRODUCT ONLY.
  4. ELV 及び RoHS 適合品  
ELV AND ROHS COMPLIANT.



49.5	47.5	22 05	1202	20
47	45		1192	19
44.5	42.5		1182	18
42	40		1172	17
39.5	37.5		1162	16
37	35		1152	15
34.5	32.5		1142	14
32	30		1132	13
29.5	27.5		1122	12
27	25		1112	11
24.5	22.5		1102	10
22	20		1092	9
19.5	17.5		1082	8
17	15		1072	7
14.5	12.5		1062	6
12	10		1052	5
9.5	7.5		1042	4
7	5		1032	3
4.5	2.5	22 05	1022	2
(B)	(A)	ORDER No.		極数 CKT.



REVISED EC NO.: J2012-0974 2012/01/30 DRWN:KASHIO CHKD:KASAKAWA 2012/01/30 APPR:NUKITA 2013/06/03	DESCRIPTION REV J	GENERAL TOLERANCES (UNLESS SPECIFIED)		DIMENSION STYLE MM ONLY	SCALE 5:1	DESIGN UNITS METRIC	MODEL No. : 5046-**A
		10 UNDER	±0.2	DRAWN BY Y. MIZUNO	DATE 1992/01/09	TITLE KK2.5 R/A WAFER ASSY	THIRD ANGLE PROJECTION
		10 OVER 30 UNDER	±0.25	CHECKED BY H. HIRAMOTO	DATE 1994/11/11		
		30 OVER	±0.3	APPROVED BY	DATE		
ANGULAR ±3 °		DRAFT WHERE APPLICABLE MUST REMAIN WITHIN DIMENSIONS		MATERIAL NO. SEE CHART	DOCUMENT NO. SD-5046-NA	SHEET NO. 1 OF 1	
SIZE A3 THIS DRAWING CONTAINS INFORMATION THAT IS PROPRIETARY TO MOLEX INCORPORATED AND SHOULD NOT BE USED WITHOUT WRITTEN PERMISSION							

E

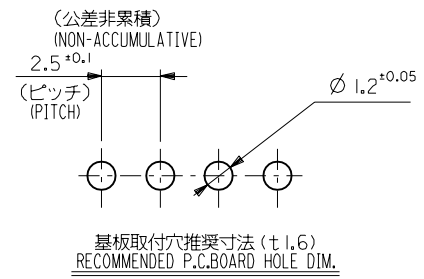
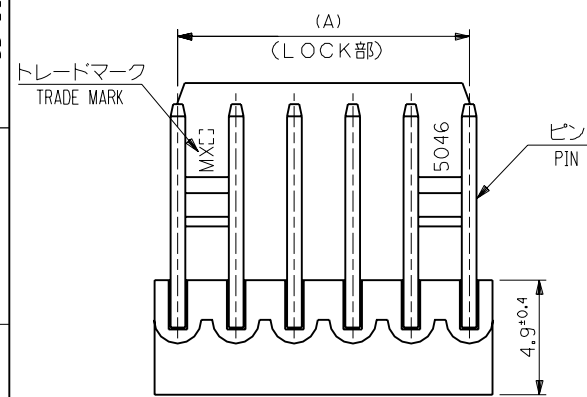
D

C

B

A

MM DIMENSIONS IN METRIC DO NOT SCALE DRAWING

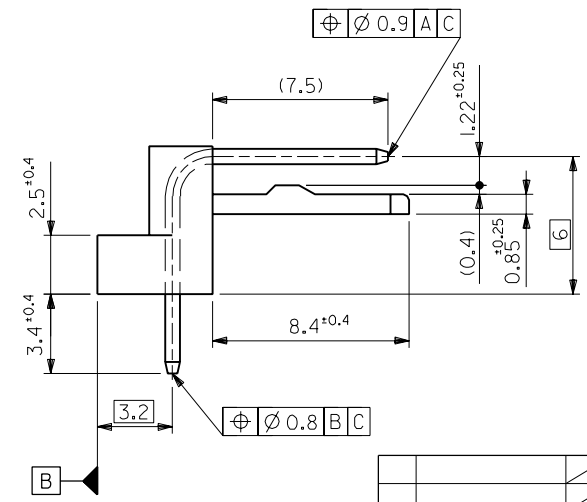
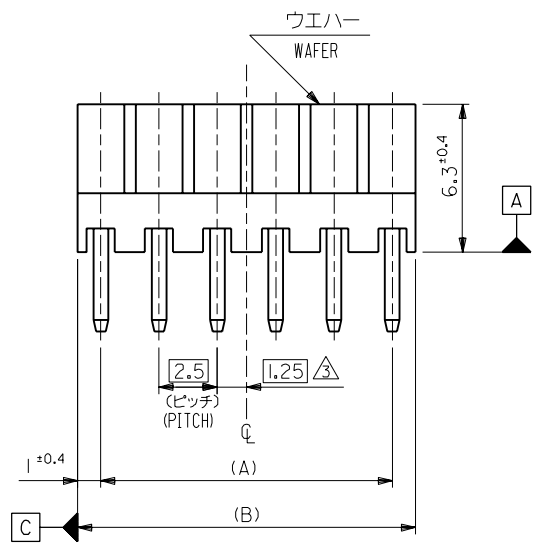


基板取付穴推奨寸法 (±1.6)  
RECOMMENDED P.C.BOARD HOLE DIM.

注記  
NOTES :

- それは長さ25.4に対して0.2MAX.  
CAMBER MUST BE WITHIN 0.2MAX.  
PER 25.4 .
  - 材料 (MATERIAL)  
ウエハー : 66ナイロン, UL94V-0  
WAFER: 66NYLON, UL94V-0  
ピン : □0.635 黄銅, 銅下地錫メッキ  
PIN: □0.635 BRASS, TIN OVER COPPER  
PLATING.
- △ 全極数が偶数の場合のみ適用。  
APPLY FOR EVEN CIRCUITS PRODUCT ONLY.

49.5	47.5	22-05-1202	5046-20A	20
47	45	-1192	-19A	19
44.5	42.5	-1182	-18A	18
42	40	-1172	-17A	17
39.5	37.5	-1162	-16A	16
37	35	-1152	-15A	15
34.5	32.5	-1142	-14A	14
32	30	-1132	-13A	13
29.5	27.5	-1122	-12A	12
27	25	-1112	-11A	11
24.5	22.5	-1102	-10A	10
22	20	-1092	-09A	9
19.5	17.5	-1082	-08A	8
17	15	-1072	-07A	7
14.5	12.5	-1062	-06A	6
12	10	-1052	-05A	5
9.5	7.5	-1042	-04A	4
7	5	-1032	-03A	3
4.5	2.5	22-05-1022	5046-02A	2
(B)	(A)	EDP NO.	ENG.NO.	極数 CKT.



角度 ANGLE	±3°					
30以上 OVER	+0.3					
10以上 OVER 30未滿 UNDER	+0.25	H	変更 REVISD (40895)	N.S	H.H	94/1/1
10未滿 UNDER	+0.2	G	変更及び再作図 REVISD & REDRAWN (20018)	Y.M	H.H	92/1/10
一般公差 GENERAL TOLERANCES		記号 LTR	変更内容 REVISION RECORD	DR. CHK.	日付 DATE	

材料 MATERIAL	注記参照 SEE NOTE
仕上げ FINISH	—
適用電線範囲 WIRE RANGE	—
被覆外径 INS. RANGE	—
DRAWN BY '92/1/3	CHK'D BY '94/1/1
Y.MIZUNO	Y.M.H.HIRAMOTO
APP'D BY '94/1/1	尺度 SCALE 5 : 1
M.FUKUSHIMA	

MOLEX-JAPAN CO.,LTD. 日本モレックス株式会社	
REVISE ONLY ON CAD SYSTEM	
TITLE 名称	
KK2.5 RIGHT ANGLE WAFER ASS'Y	
DWG. NO.	REV
SD-5046-NA	H