

Description

The ZXBM5409Q is a protected H-bridge driver designed specifically for manual automotive headlight-beam control and industrial servo control applications with DC-brush motor loads. The integrated full-bridge driver output stage is composed of high-current, low- $R_{DS(on)}$ H-bridge MOSFETs to maximize efficiency.

To simplify the circuit design and minimize external components, the device integrates voltage and temperature-compensated internal references, amplifiers, and output H-bridge power switches with low $R_{DS(on)}$.

For system flexibility, the servo control forward and reverse hysteresis, deadband, and angle amplification are easily programmable by external resistors.

To help protect the motor coil, the ZXBM5409Q provides fault condition protection, such as RANGE input short to GND, short-to-supply voltage, or broken wires, by stopping the motor and disconnecting the output stage. In case of supply undervoltage and overvoltage, the device shuts down the output drive to help prevent overvoltage stress on the coil. The overcurrent protection monitors the output current and shuts down the outputs stage with periodic retry to help protect the coil from device burnout. Overtemperature shutdown provides thermal protection for the device.

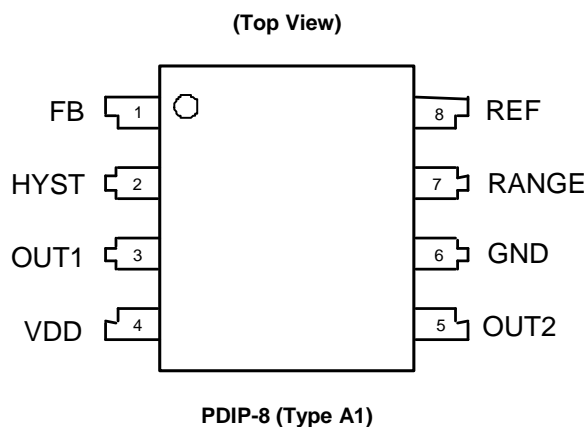
The ZXBM5409Q is available in industry standard PDIP-8 (Type A1) package and is qualified to AEC-Q100 Grade 1 and is automotive compliant supporting PPAPs.

Features

- Servo DC Motor Drive
- Wide Operating Voltage Range: 8V to 18V
- Built-In H-Bridge with Low $R_{DS(on)}$ Resistance
- Output Drive Current Capability of 0.8A (Peak Current of 1.6A)
- Fault Protection—RANGE Short to GND, Supply or Broken Wires
- Overvoltage and Undervoltage Shutdown
- Overcurrent Protection
- Thermal Protection
- Green Moulding in PDIP-8 (Type A1)
- **Totally Lead-Free & Fully RoHS Compliant (Notes 1 & 2)**
- **Halogen and Antimony Free. “Green” Device (Note 3)**
- **Qualified to AEC-Q100 Standards for High Reliability**
- **PPAP Capable (Note 4)**

- Notes:
1. No purposely added lead. Fully EU Directive 2002/95/EC (RoHS), 2011/65/EU (RoHS 2) & 2015/863/EU (RoHS 3) compliant.
 2. See <https://www.diodes.com/quality/lead-free/> for more information about Diodes Incorporated's definitions of Halogen- and Antimony-free, "Green" and Lead-free.
 3. Halogen- and Antimony-free "Green" products are defined as those which contain <900ppm bromine, <900ppm chlorine (<1500ppm total Br + Cl) and <1000ppm antimony compounds.
 4. Automotive products are AEC-Q100 qualified and are PPAP capable. Refer to <https://www.diodes.com/quality/>.

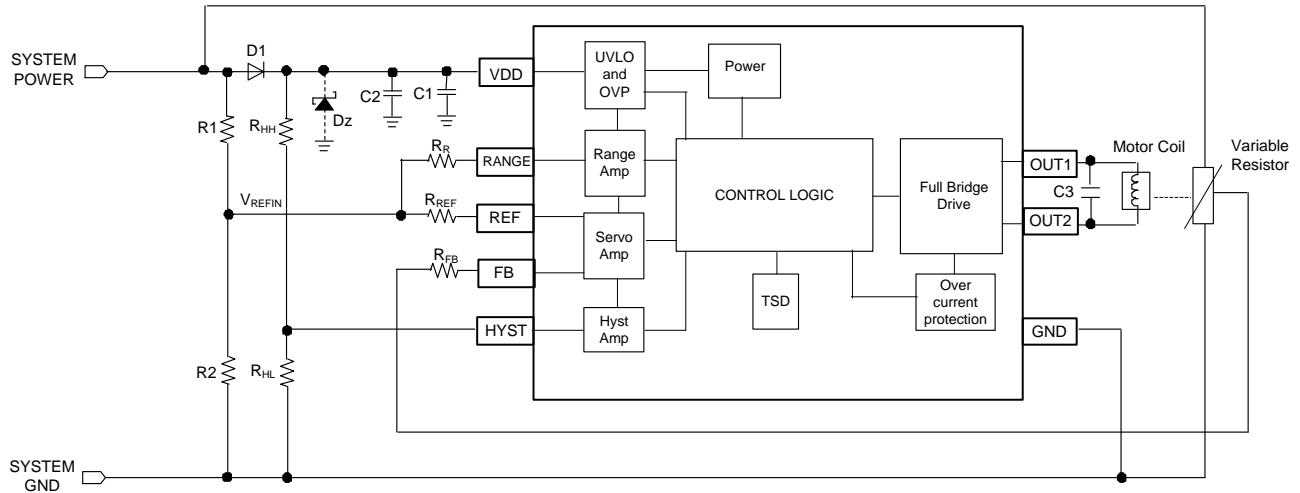
Pin Assignments



Applications

- Automotive Headlight Position Servo Motor
- 8V/12V/18V Servo DC Motors

Typical Applications Circuit (Notes 5, 6, 7, 8)



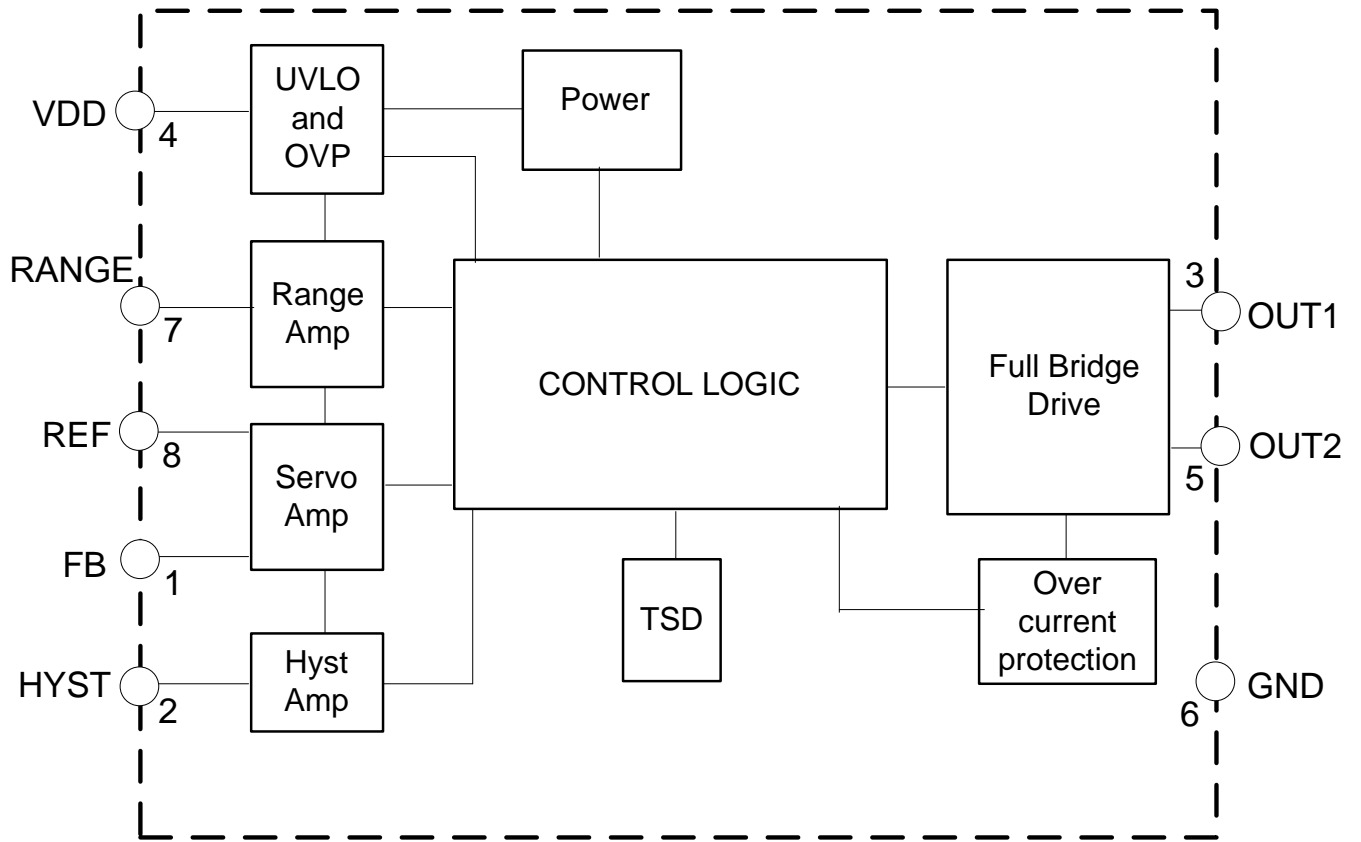
- Notes:
5. The C1 capacitor is for power stabilization and to strengthen the noise immunity, and the recommended value is 100nF. The capacitor is placed next to the VDD pin. The value of the capacitor can be optimized depending on the motor current. The value of C1 must be checked in the motor design in its operating conditions if reduced from the recommended value
 6. The C2 capacitor is for power supply filtering, and the recommended value is 47µF to 100µF. C3 is output motor noise decoupling capacitor, and the recommended value is 100nF (range of 10nF to 100nF). If strengthening OCP short function (O1 and O2 short directly), the recommended value of C2 is 10µF (range of 10µF to 20µF) for SMD type.
 7. The resistor values R1 and R2 define the V_{REFIN} . The resistors R_{HYH} and R_{HYL} define the hysteresis window
 8. Diode D1 is for the reverse connection protection. The zener diode Dz is used to clamp the regenerative voltage spike from the motor operation to a safe level when reverse blocking diode D1 is used. If a reverse blocking diode is not used, the use of zener clamp Dz depends on the supply voltage capability to effectively sink the regenerative energy and voltage spike.

Pin Descriptions

Package Type: PDIP-8 (Type A1)

Pin Number	Pin Name	Description
1	FB	Position Feedback Input: Voltage Input
2	HYST	Hysteresis I/O
3	OUT1	Output1 Drive Sourcing & Sinking Pin
4	VDD	Power Supply Input Pin
5	OUT2	Output2 Drive Sourcing & Sinking Pin
6	GND	Ground Pin
7	RANGE	Range Input
8	REF	Reference Input

Functional Block Diagram



Absolute Maximum Ratings (Note 9) @T_A = +25°C, unless otherwise specified.)

Symbol	Characteristics	Rating	Unit	
V _{DD_MAX}	Maximum Supply Voltage (Note 10)	45	V	
V _{DD_REVERSE} V _{REVERSE}	Reverse Voltage on VDD and All Pins	-0.3	V	
V _{FB_MAX} V _{HYST_MAX} V _{REF_MAX}	Maximum Voltage on FB, HYST, REF Pins	20	V	
V _{RANGE_MAX}	Maximum Voltage on RANGE Pin	20	V	
V _{FB_REVERSE} V _{REF_REVERSE} V _{HYST_REVERSE} V _{RANGE_REVERSE}	Reverse Supply Voltage on All Pins	-0.3	V	
I _{FB_MAX}	Maximum Current on FB Pin	±6	mA	
I _{HYST_MAX}	Maximum Current on HYST Pin	±6	mA	
I _{REF_MAX}	Maximum Current on REF Pin	±6	mA	
I _{RANGE_MAX}	Maximum Current on RANGE Pin	±6	mA	
P _D	Power Dissipation (Note 11)	PDIP-8 (Type A1) (Note 12)	1.61	W
T _{STG}	Storage Temperature Range	-65 to +150	°C	
T _J	Maximum Junction Temperature	+150	°C	
ESD HBM	Human Body Model ESD Capability	4	kV	
CDM	Charged Device Model (CDM)	1.5	kV	

- Notes:
9. Stresses greater than the *Absolute Maximum Ratings* specified above can cause permanent damage to the device. These are stress ratings only; functional operation of the device at these or any other conditions exceeding those indicated in this specification is not implied. Device reliability may be affected by exposure to absolute maximum rating conditions for extended periods of time.
 10. The absolute maximum V_{DD} of 45V is a transient stress rating and is not meant as a functional operating condition. It is not recommended to operate the device at the absolute maximum rated conditions for any period of time.
 11. For thermal de-rating curves under different PCB size and layout conditions, see *Thermal Performance* section.
 12. PDIP-8 (Type A1) soldered to minimum recommended landing pads (see *Package Outline Dimensions* section) on 2" x 2" two-layer 2oz.copper FR-4 PC (1.6mm thickness). See *Thermal Performance* section.

Recommended Operating Conditions

Symbol	Characteristic	Conditions	Min	Max	Unit
V _{DD}	Supply Voltage	Operating	8	18	V
T _A	Operating Ambient Temperature Range	Operating	-40	+125	°C
T _J	Operating Junction Temperature Range	Operating	-40	+150	°C

Electrical Characteristics (Note 13) (@T_A = -40°C to +125°C, V_{DD} = 8V to 18V, unless otherwise specified.)

Symbol	Characteristics	Conditions	Min	Typ	Max	Unit
I _{DD}	Supply Current (Excluding Load Current)	No Load	—	1	2.5	mA
V _{UVLO_ON}	Under Voltage Protection Release Threshold	Voltage Increasing	—	7.4	8	V
V _{UVLO_OFF}	Under Voltage Protection Threshold for Shutdown to Standby Mode	Voltage Decreasing	6.3	6.9	—	V
V _{OVP_ON}	Over Voltage Protection Threshold for Shutdown to Standby Mode	Voltage Increasing	18.5	20.5	23	V
V _{OVP_OFF}	Over Voltage Release Threshold	Voltage Decreasing	17.5	20	22	V
V _{OH}	Output Voltage High	I _{OUT} = 800mA	V _{DD} - 1.6	V _{DD} - 0.46	—	V
		I _{OUT} = 500mA	V _{DD} - 1.1	V _{DD} - 0.28	—	V
V _{OL}	Output Voltage Low	I _{OUT} = 800mA	—	0.34	0.75	V
		I _{OUT} = 500mA	—	0.21	0.45	V
R _{ON_TOTAL}	Combined NMOS and PMOS R _{DS(on)} Including Bond Wire Resistance	I _{OUT} = 800mA	—	1.0	3	Ω
		I _{OUT} = 500mA	—	1.0	3	Ω
V _{REFQ}	REF Quiescent Voltage	I _{REF} = 0	185	200	215	mV
R _{REF_IN}	REF Pin Input Resistance	0 < V _{REF} < 0.5V	4.5	6	7.5	kΩ
V _{FBQ}	FB Quiescent Voltage	I _{FB} = 0	185	200	215	mV
R _{FB_IN}	REF Pin Input Resistance	0 < V _{FB} < 0.5V	4.5	6	7.5	kΩ
I _{HYST_IO_250}	Current Offset	I _{REF} = I _{FB} = 250μA, V _{HYST} = V _{DD} /2	-2	0.35	3	μA
I _{HYST_IO_40}		I _{REF} = I _{FB} = 40μA, V _{HYST} = V _{DD} /2	-1.3	0	1.3	μA
V _{HYST_H/V_S}	Threshold Voltage High	—	—	52	—	%
V _{DB_H/V_S}	Deadband Voltage High	—	—	50.4	—	%
V _{DBL/V_S}	Deadband Voltage Low	—	—	49.6	—	%
V _{HYST_L/V_S}	Threshold Voltage Low	—	—	48	—	%
V _{HYST_W/V_S}	Hysteresis Window	(V _{HYH} - V _{HYL}) / V _{DD}	3	4	5	%
V _{DB_W/V_S}	Deadband Window	(V _{DBH} - V _{DBL}) / V _{DD}	0.4	0.8	1.2	%
I _{RANGE}	Range Pin Input Current	0V < V _{RANGE} < V _{DD}	-1	—	1	μA
V _{OFFH}	Range Pin Input Voltage Monitor -Off Voltage High	Referred to V _{DD}	-100	0	150	mV
V _{OFFL}	Range Pin Input Voltage Monitor Switch-Off Voltage Low	Referred to GND	300	400	500	mV
I _{OC}	Current Limit	—	1.6	—	—	A
T _{J_SDN_TH}	IC Junction Temperature Thermal Shutdown Threshold	—	150	+170	190	°C
T _{J_SDN_HYST}	IC Junction Temperature Thermal Shutdown Hysteresis	—	—	+30	—	°C

Note: 13. Typical data is measured at T_A = +25°C, V_{DD} = 12V. The maximum and minimum parameters values over operating temperature range are not tested in production, and they are guaranteed by design, characterization, and process control.

Operating Characteristics

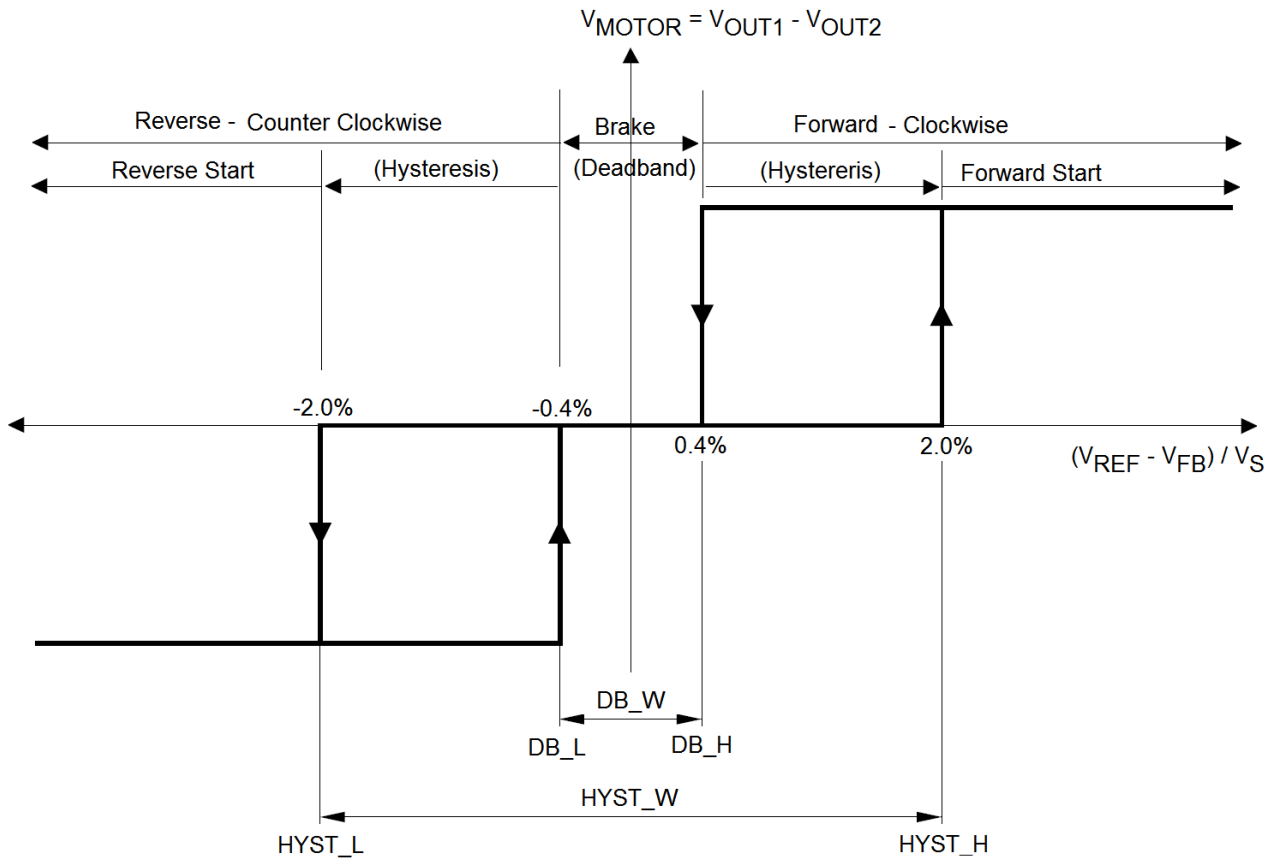


Figure 1 Hysteresis, Deadband, and Rotation Directions

Operating Characteristics (continued)

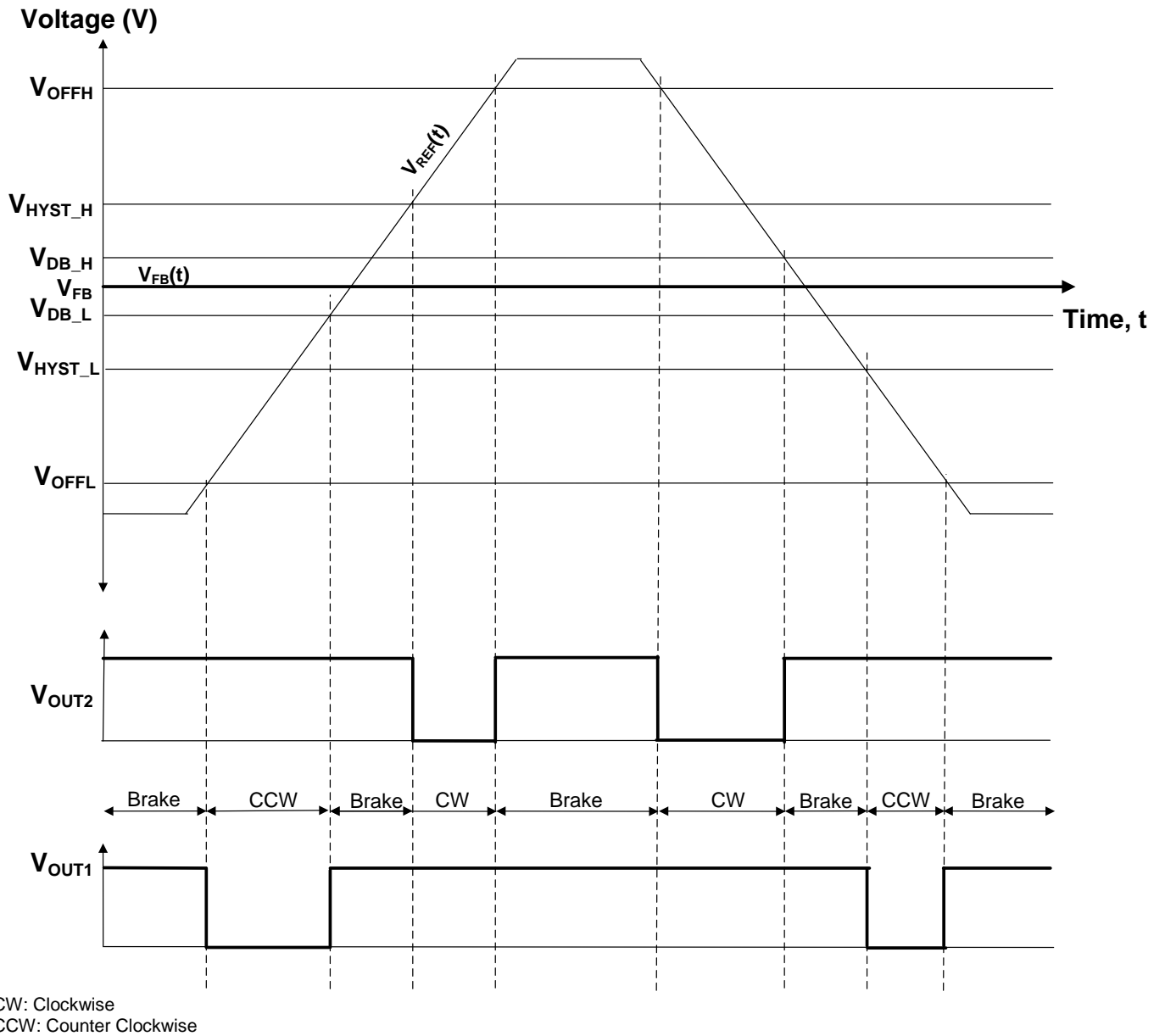


Figure 2 Rotation Directions with Respect to V_{REF} , V_{FB} , Hysteresis, and Deadband Settings

Application Note

REF and FB Pin

The REF and FB pins are servo AMP input, and the voltage difference between REF/FB terminals is based on the OUT1 and OUT2 operating status (like CW/CCW or Break status on page 4 and 5). For normal operation, the voltage applied to REF/FB terminals does not exceed 1.5V ($= 6k \times 250\mu A$; refer to *Electrical Characteristics* section). The two pins both have a series resistor with the same value to degrade applied voltage. 1.5V is the maximum voltage at REF/FB pin, so R_{REF}/R_{FB} resistor is calculated as:

Assuming $V_{DD} = 12V$ and 1.5V maximum on FB/REF pin, the minimum R_{REF}/R_{FB} is equal to $1.5V = \{6K / (6K + R_{REF})\} \times 12V$; $R_{REF} = 42k\Omega$.

HYST Pin

The hysteresis window can be set via input at HYST pin. If the two resistances R_{HYH} and R_{HYL} are equal, the hysteresis window is located symmetrically at $50 \pm 2\%$ relative to the supply voltage. The position of the window can be adjusted by varying the ratio of R_{HYH} to R_{HYL} . The size of the window tolerance can be adjusted by changing the ratio of the hysteresis resistances to the resistances R_{REF} and R_{FB} on the other. For example, if the resistances R_{HYH} and R_{HYL} are both halved in comparison to R_{REF} and R_{FB} , the window tolerance doubles in size (i.e. to $50 \pm 4\%$).

RANGE Pin

If the potentiometer or the connecting leads reference input to V_{REF} are shorted or open connected, uncontrolled movements of the servo motor must not occur. For this reason, two additional switch-off thresholds V_{OFFL} and V_{OFFH} are provided. The corresponding window comparator for these thresholds behind the RANGE input has a typical low threshold of 0.4V and a typical high threshold of V_{DD} . If the voltage V_{REFIN} falls below 0.4V typical, which is the case if the reference potentiometer input is shorted to ground, the motor is switched off. Similarly, if the voltage V_{REFIN} rises above V_{DD} typical, which is the case if the reference potentiometer input is open circuited, the motor is switched off.

Undervoltage Lockout

To make sure the minimum voltage required to operate the driver is supplied, the ZXBM5409Q has an undervoltage lockout. At start up the device only starts if the supply voltage is typically over V_{UVLO_RLTH} . During normal operation, the device switches off all the output switches and powers down if the supply voltage drops below V_{UVLO_TH} typical.

When the supply voltage drops below undervoltage lockout threshold, $V_{UVLO_TH_R}$, the ZXBM5409Q shuts down all the output drive switches and enters standby mode to help prevent overvoltage stress on the coil.

Overvoltage Shutdown of Output Drive

When the supply voltage exceeds the overvoltage shutdown threshold, V_{OV_TH} , the ZXBM5409Q shuts down all the output drive switches and enters standby mode to help prevent overvoltage stress on the coil. The driver returns to normal condition if the supply voltage drops below V_{OV_RLTH} —provided no other fault condition or signals are preventing it from entering normal operation.

Overcurrent Protection

The internal overcurrent protection (OCP) threshold is 1.6A typical at 12V supply +25°C.

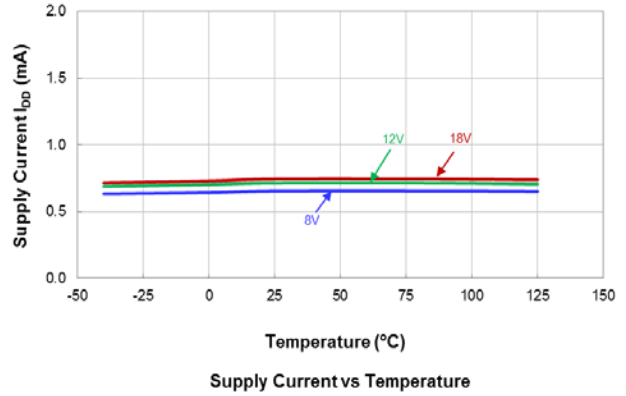
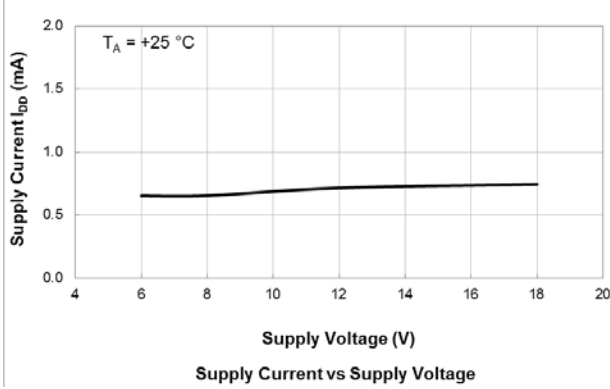
When the motor current exceeds the OCP threshold for longer than 2 μs typical on any of the H-bridge switches, the device switches off all the output switches and remains off for 5ms typical. The IC returns to normal operation after the 200 μs if overcurrent condition goes away. If the motor current is still higher than the OCP threshold, the device enters another 5ms standby mode.

Thermal Shutdown Protection

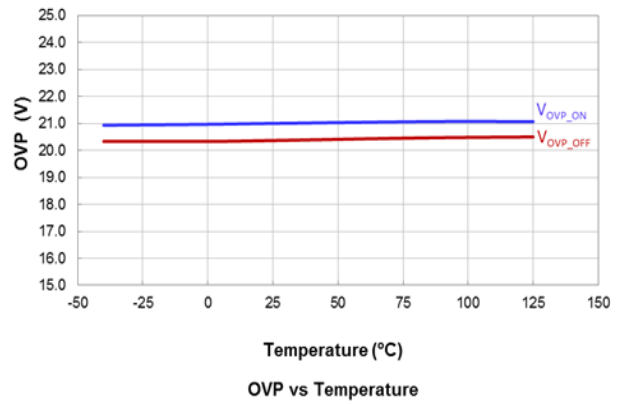
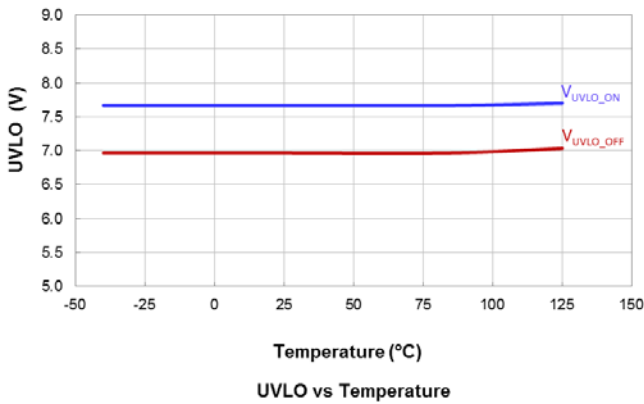
The device has an internal thermal shutdown to prevent a thermal runaway scenario. The thermal shutdown is triggered when the junction temperature of the device reaches +170°C. It will remain in standby mode until the junction temperature falls by +30°C.

Typical Operating Characteristics

Average Supply Current

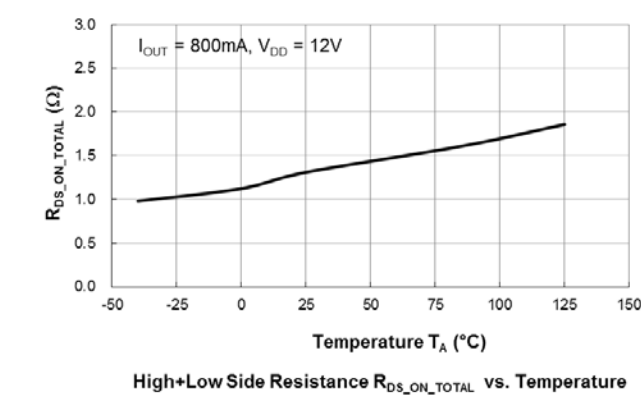
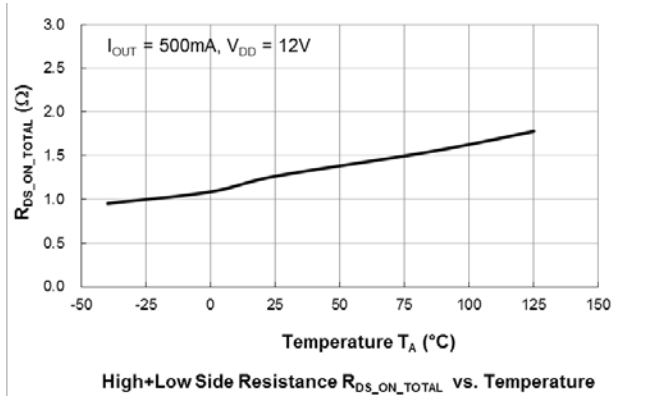
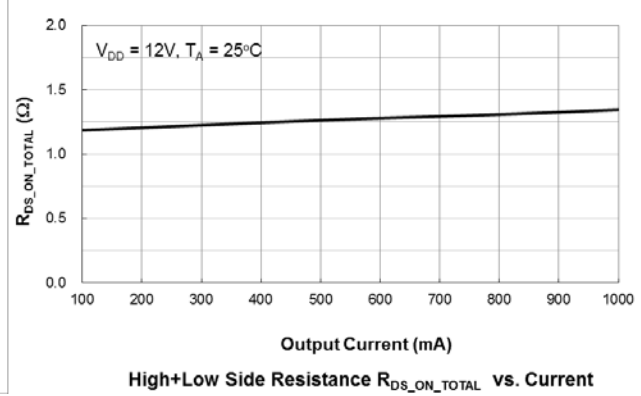
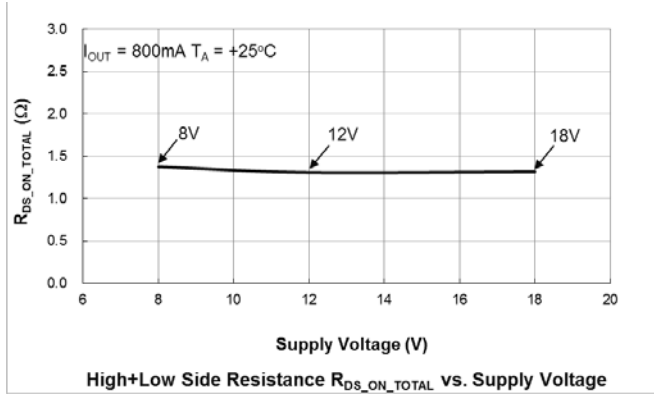


UVLO and OVLO Threshold



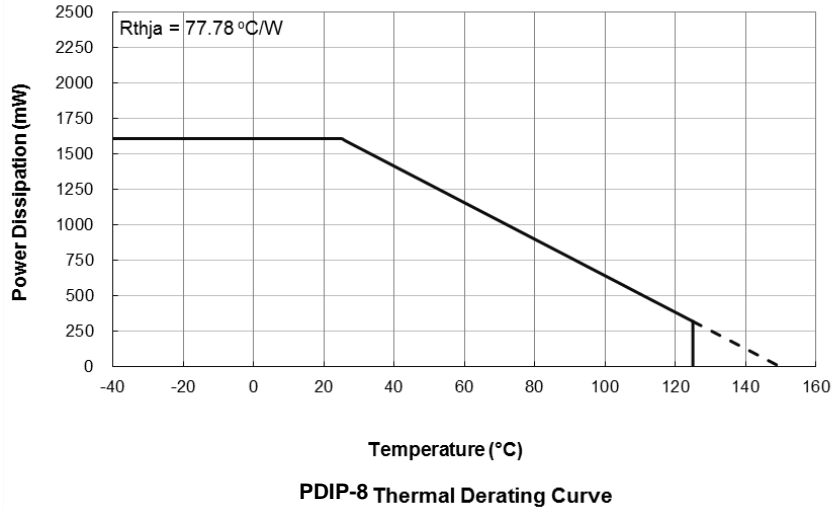
Typical Operating Characteristics (continued)

Total H-Bridge Path Resistance – Total $R_{DS(ON)}$ of High-Side and Low-Side Switches



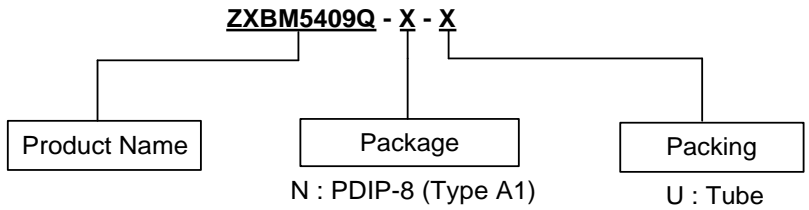
Thermal Performance

PDIP-8 (Type A1) Power Dissipation De-rating Curve 1 (Note 14)



Note: 14. PDIP-8 (Type A1) soldered to minimum recommended landing pads on 2" x 2" two-layer 2oz.copper FR-4 PCB (1.6mm thickness).

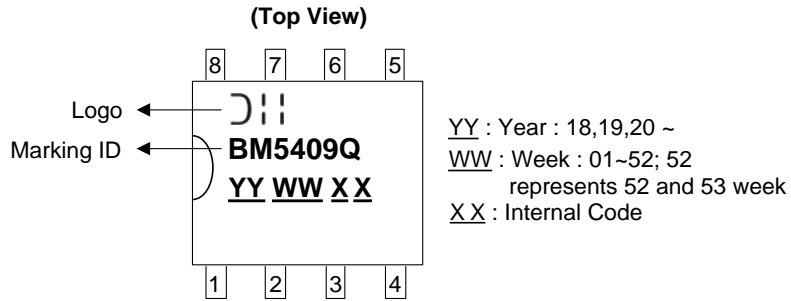
Ordering Information



Part Number	Package Code	Packaging (Note 15)	Tube (Note 17)		Compliance (Note 16)
			Quantity	Part Number Suffix	
ZXBM5409Q-N-U	N	PDIP-8 (Type A1)	60	-U	Automotive Grade Compliant

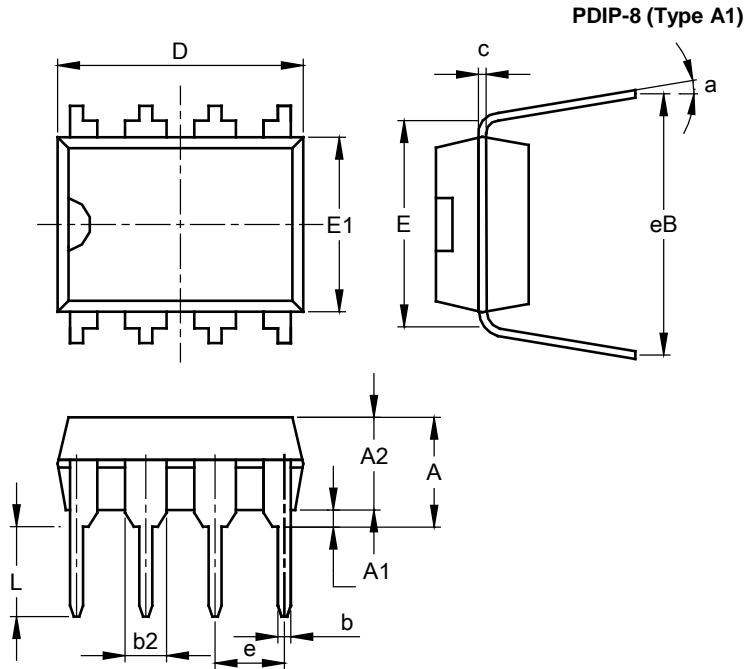
Note: 15. Pad layout as shown on Diodes Incorporated's Suggested pad layout can be found at <http://www.diodes.com/package-outlines.html>.
 16. ZXBM5409Q-N-U is classified as "Automotive Compliant" and supports PPAP documentation.
 17. There are 60 tubes in a box and the standard order quantities is 3600 pcs.

Marking Information



Package Outline Dimensions (All dimensions in mm.)

Please see <http://www.diodes.com/package-outlines.html> for the latest version.



PDIP-8 (Type A1)						
Dim	Inches			Millimeters		
	Min	Max	Typ	Min	Max	Typ
A	--	0.210	--	--	5.334	--
A1	0.015	--	--	0.381	--	--
A2	0.125	0.135	0.130	3.175	3.429	3.302
b	--	--	0.018	--	--	0.457
b2	--	--	0.060	--	--	1.524
c	0.008	0.014	0.010	0.203	0.356	0.254
D	0.355	0.400	0.365	9.017	10.160	9.271
E	0.300 BSC			7.62 BSC		
E1	0.245	0.255	0.250	6.223	6.477	6.350
eB	0.335	0.375	0.355	8.509	9.525	9.017
e	--	--	0.100	--	--	2.540
L	0.115	0.150	0.130	2.921	3.810	3.302
a	0°	15°	7°	0°	15°	7°

Controlling dimensions are in inches

IMPORTANT NOTICE

DIODES INCORPORATED MAKES NO WARRANTY OF ANY KIND, EXPRESS OR IMPLIED, WITH REGARDS TO THIS DOCUMENT, INCLUDING, BUT NOT LIMITED TO, THE IMPLIED WARRANTIES OF MERCHANTABILITY AND FITNESS FOR A PARTICULAR PURPOSE (AND THEIR EQUIVALENTS UNDER THE LAWS OF ANY JURISDICTION).

Diodes Incorporated and its subsidiaries reserve the right to make modifications, enhancements, improvements, corrections or other changes without further notice to this document and any product described herein. Diodes Incorporated does not assume any liability arising out of the application or use of this document or any product described herein; neither does Diodes Incorporated convey any license under its patent or trademark rights, nor the rights of others. Any Customer or user of this document or products described herein in such applications shall assume all risks of such use and will agree to hold Diodes Incorporated and all the companies whose products are represented on Diodes Incorporated website, harmless against all damages.

Diodes Incorporated does not warrant or accept any liability whatsoever in respect of any products purchased through unauthorized sales channel. Should Customers purchase or use Diodes Incorporated products for any unintended or unauthorized application, Customers shall indemnify and hold Diodes Incorporated and its representatives harmless against all claims, damages, expenses, and attorney fees arising out of, directly or indirectly, any claim of personal injury or death associated with such unintended or unauthorized application.

Products described herein may be covered by one or more United States, international or foreign patents pending. Product names and markings noted herein may also be covered by one or more United States, international or foreign trademarks.

This document is written in English but may be translated into multiple languages for reference. Only the English version of this document is the final and determinative format released by Diodes Incorporated.

LIFE SUPPORT

Diodes Incorporated products are specifically not authorized for use as critical components in life support devices or systems without the express written approval of the Chief Executive Officer of Diodes Incorporated. As used herein:

A. Life support devices or systems are devices or systems which:

1. are intended to implant into the body, or
2. support or sustain life and whose failure to perform when properly used in accordance with instructions for use provided in the labeling can be reasonably expected to result in significant injury to the user.

B. A critical component is any component in a life support device or system whose failure to perform can be reasonably expected to cause the failure of the life support device or to affect its safety or effectiveness.

Customers represent that they have all necessary expertise in the safety and regulatory ramifications of their life support devices or systems, and acknowledge and agree that they are solely responsible for all legal, regulatory and safety-related requirements concerning their products and any use of Diodes Incorporated products in such safety-critical, life support devices or systems, notwithstanding any devices- or systems-related information or support that may be provided by Diodes Incorporated. Further, Customers must fully indemnify Diodes Incorporated and its representatives against any damages arising out of the use of Diodes Incorporated products in such safety-critical, life support devices or systems.

Copyright © 2019, Diodes Incorporated

www.diodes.com