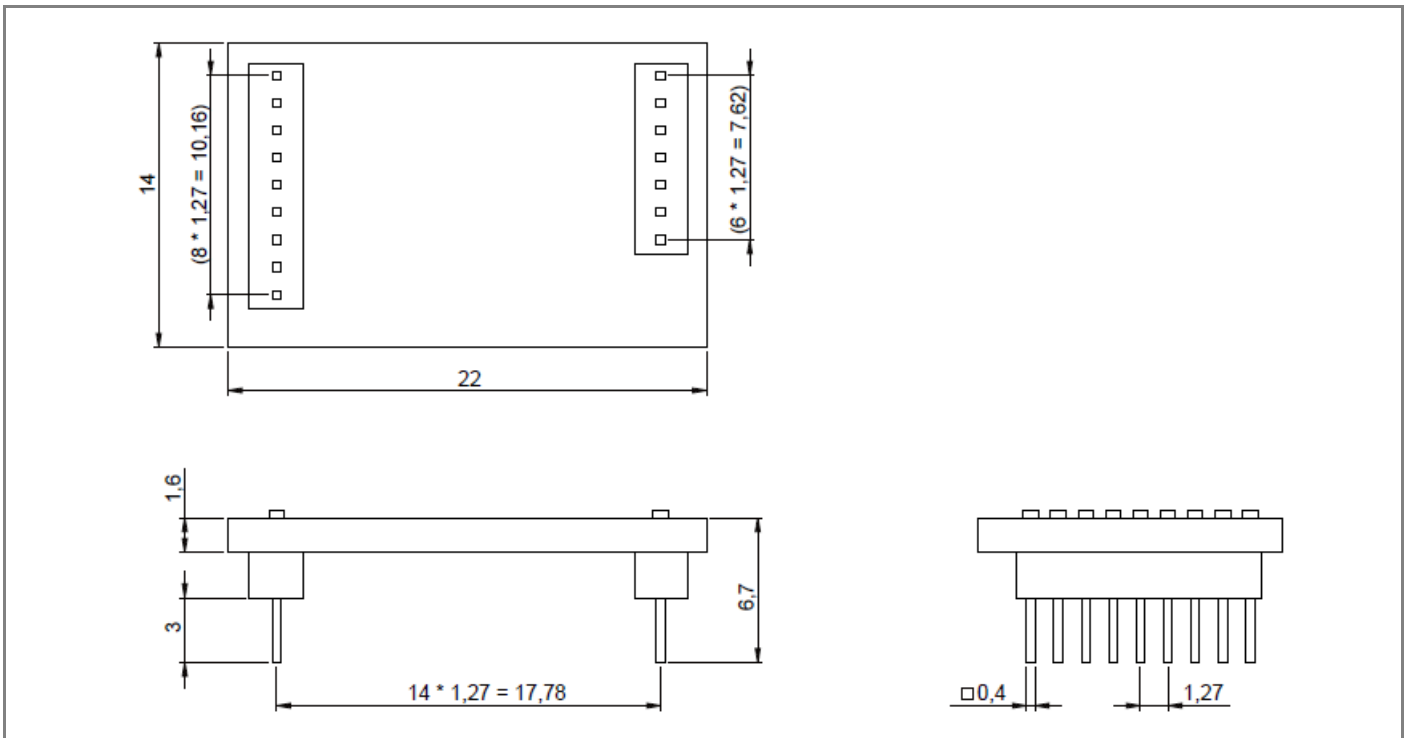
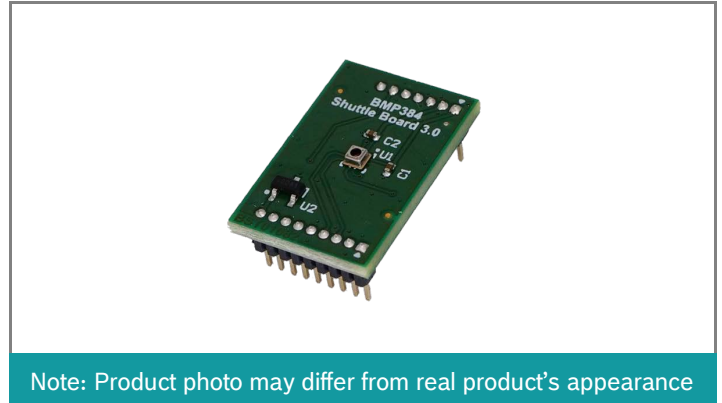


# BMP384

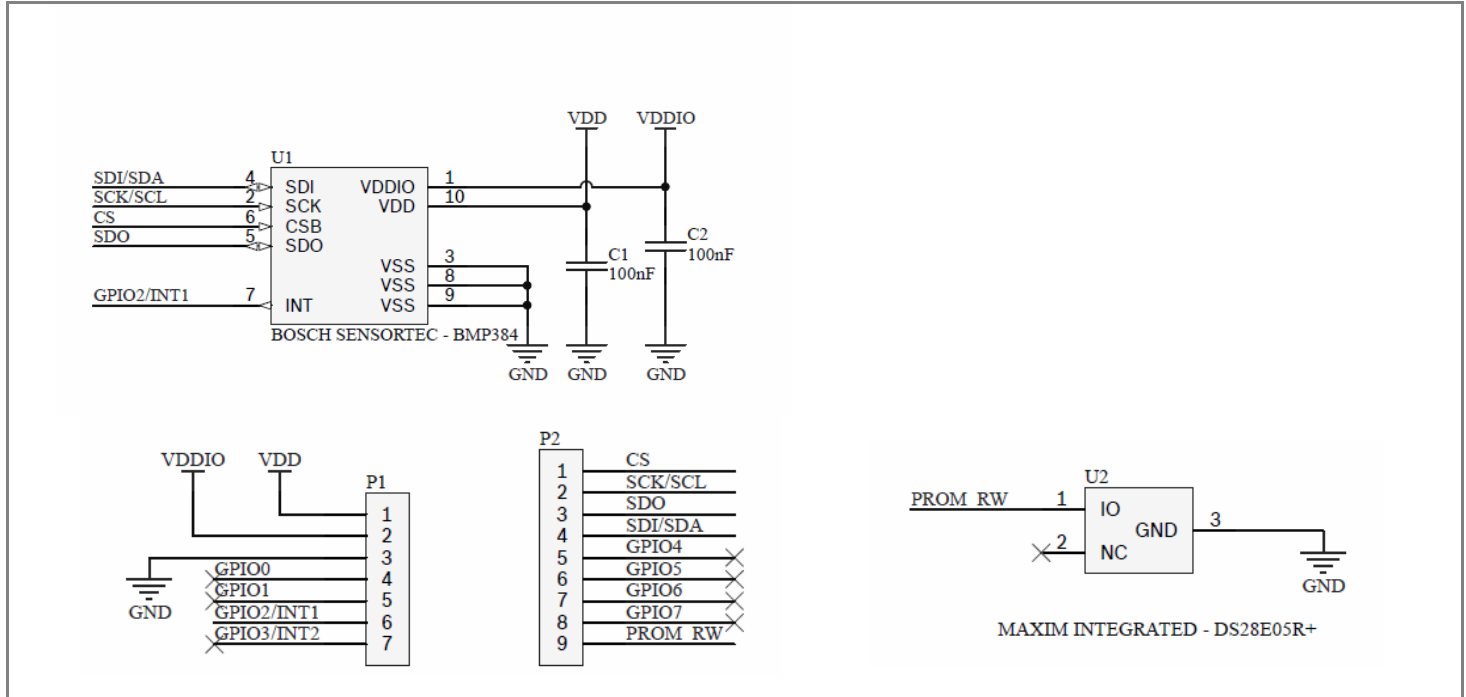
## Shuttle board 3.0 flyer

### GENERAL DESCRIPTION

The Bosch Sensortec BMP384 shuttle board 3.0 is a PCB with the pressure and temperature sensor BMP384 mounted on it. In combination with the application board 3.0, the shuttle board can be used to evaluate various functionalities provided on BMP384. The shuttle board allows easy access to the sensor pins via a simple socket and can be directly plugged into the Bosch Sensortec's application board 3.0.



Shuttle board outline dimensions (all dimensions in mm)



Electrical layout

**DESIGNATOR P1 SHUTTLE BOARD CONNECTOR**

Pin	Pin name	Description
1	VDD	Power supply
2	VDDIO	Power supply
3	GND	Ground
4	GPIO0	NC
5	GPIO1	NC
6	GPIO2/INT1	Connect to INT
7	GPIO3/INT2	NC

Shuttle board identification:

- ▶ Shuttle ID: 0x193
- ▶ Shuttle board identifier: BST01082

**DESIGNATOR P2 SHUTTLE BOARD CONNECTOR**

Pin	Pin name	Description
1	CS	Chip selection pin of SPI bus
2	SCK/SCL	Clock pin of SPI bus / clock pin of I2C bus
3	SDO	Master-input-slave-output data pin of SPI bus
4	SDI/SDA	Master-output-slave-input data pin of SPI bus / data pin of I2C bus
5	GPIO4/OSCB	NC
6	GPIO5/ASCx	NC
7	GPIO6/OSDO	NC
8	GPIO7/ASDx	NC
9	PROM_RW	Connect to EEPROM

**Headquarters  
Bosch Sensortec GmbH**

Gerhard-Kindler-Strasse 9  
72770 Reutlingen · Germany  
Telephone +49 7121 3535 900  
Fax +49 7121 3535 909

[www.bosch-sensortec.com](http://www.bosch-sensortec.com)