

6

5

4

3

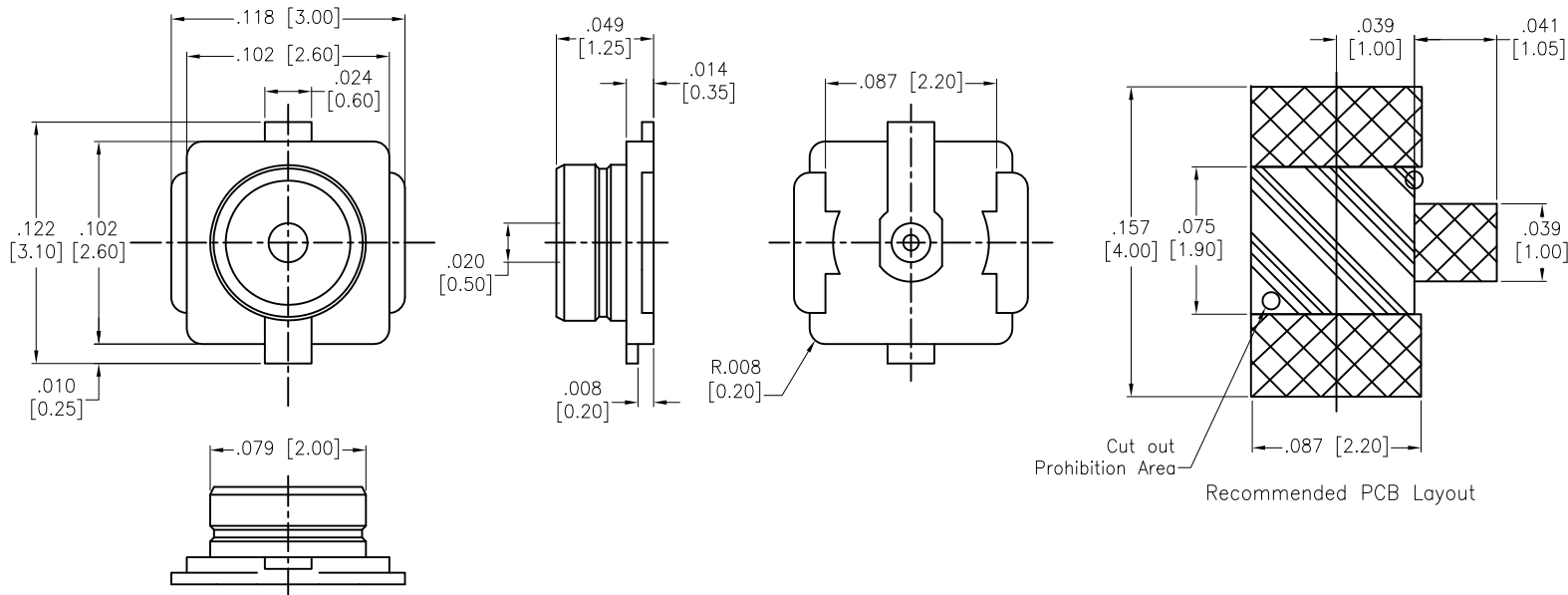
2

1

APPROVED: _____

DATE: _____ TITLE: _____

Rev	AWO #	Description	Date	Appr
-		RELEASED	10/3/17	



GROUND CONTACT	COPPER ALLOY	GOLD
INNER CONTACT	COPPER ALLOY	GOLD
HOUSING	LCP UL94V-0	
DESCRIPTION	MATERIAL	FINISH

SPECIFICATIONS:

Electrical:

Frequency range: DC~6 GHz

Nominal Impedance: 50 Ohms

Rated Voltage: AC 60Vrms

VSWR: 1.3 max. @ 0.1~3 GHz
1.4 max. @ 3~6 GHz

Temperature Rating:

Operating temperature: -40°C to +80°C

Environmental:

Lead free, RoHS compliant.



PACKAGED ON TAPE & REEL

UNLESS OTHERWISE SPECIFIED ALL DIMENSIONS ARE INCHES [MM] TOLERANCES: EXCEPT AS NOTED		ADAM TECH 909 Rahway Avenue, Union, NJ 07083 Phone: 908-687-5000 Fax: 908-687-5710	
INCHES HOLES			
.X ± .10	∅X ± .10	TITLE RF CONNECTOR, MICRO COAXIAL 50 OHMS, VERTICAL, TAPE & REEL	
.XX ± .020	∅XX ± .015		
.XXX ± .015	∅XXX ± .010		
APPROVALS		DATE	
DRAWN AY		10/3/17	
CHECKED MY		10/3/17	
APPROVED			
SIZE X	PART NO. RF20-01B-L-00-50-G-T/R	REV. -	
REF: S00291T	SCALE: NTS	SHEET 1 OF 1	

6

5

4

3

2

1