

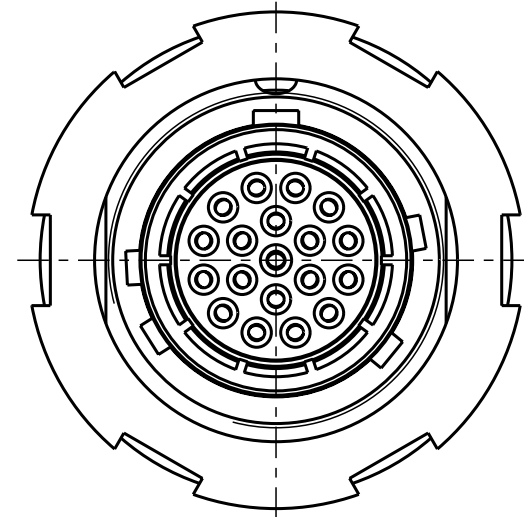
Für diese Unterlage behalten wir uns alle Rechte vor, auch für den Fall der Patentierung oder Gebrauchsmusteranmeldung. Sie darf ohne unsere vorherige schriftliche Zustimmung weder vervielfältigt noch sonstwie benutzt, noch Drucken zugänglich gemacht werden.

Nur rot gestempelte oder auf Lauffkarte gedruckte Dokumente unterliegen dem Änderungsdienst und sind zur Fertigung freigegeben. Only red stamped or on jobcard printed documents are managed. These documents are approved for production.

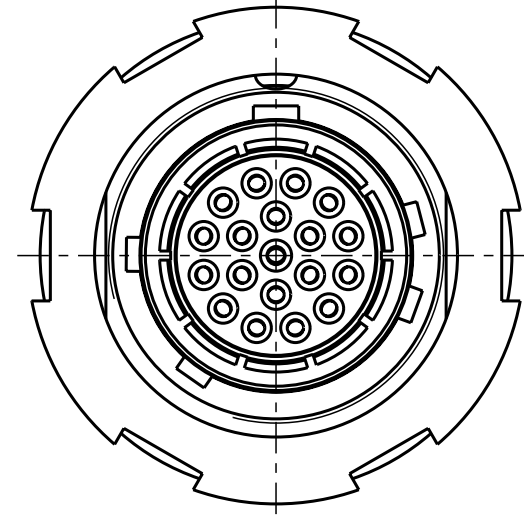
All Rights reserved, including possible patents or trademarks. Documents shall not be provided to a third party or duplicated in any form without prior written permission.

CAD: Pro/ENGINEER

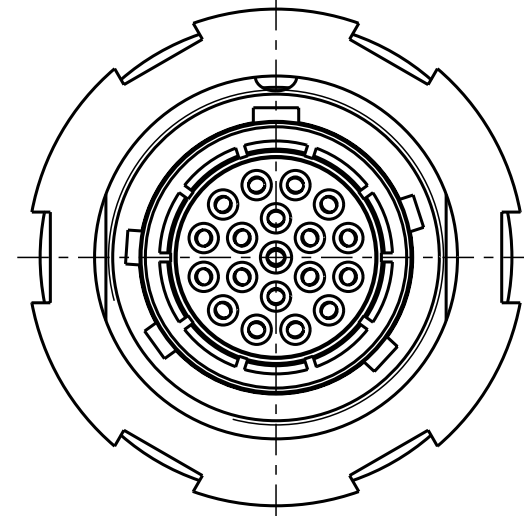
Additional coding  
View in direction B



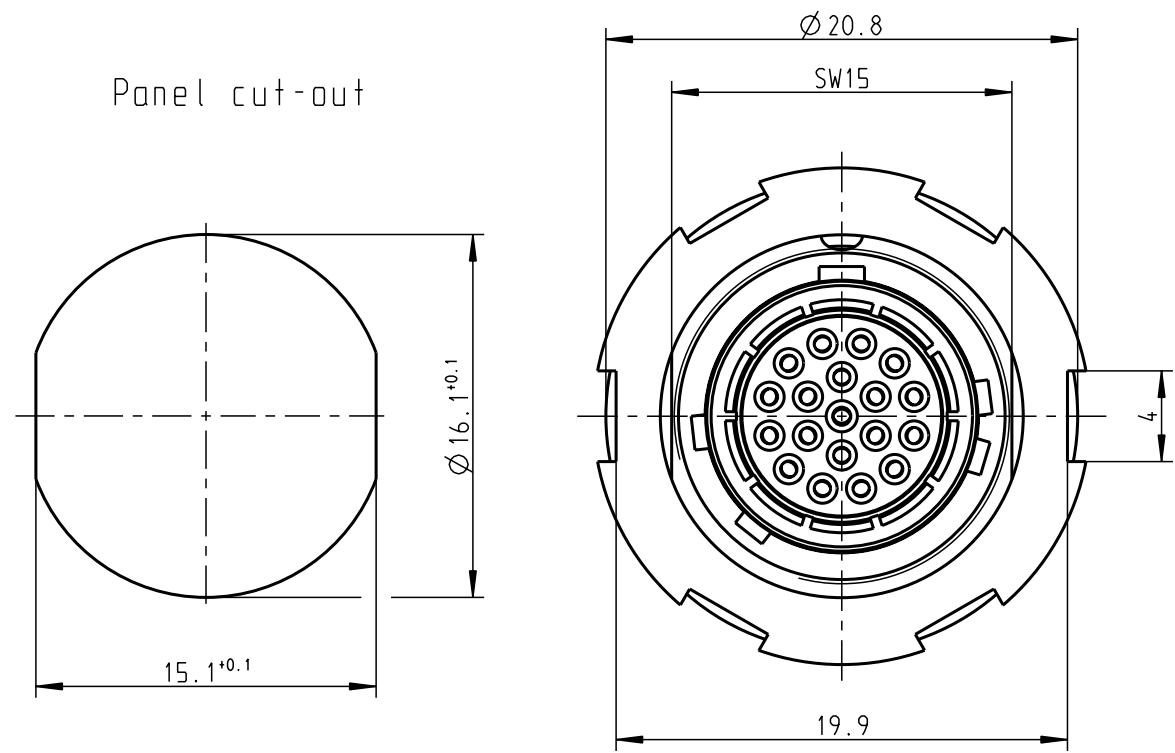
G82YBR-P19WFGO-000L  
Mechanical coding: B  
Color coding: red



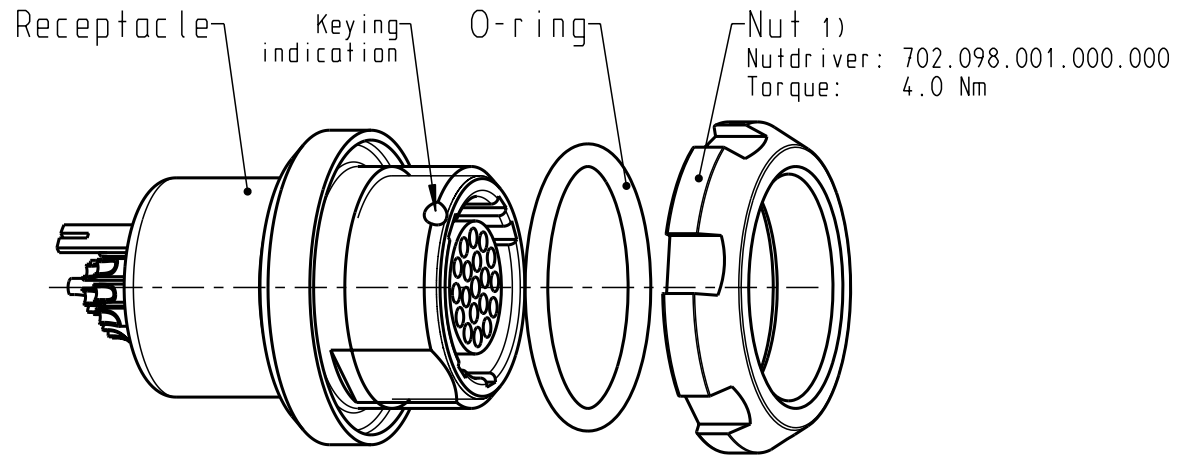
G82YCR-P19WFGO-000L  
Mechanical coding: C  
Color coding: blue



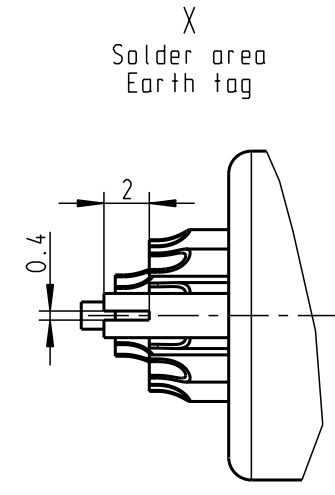
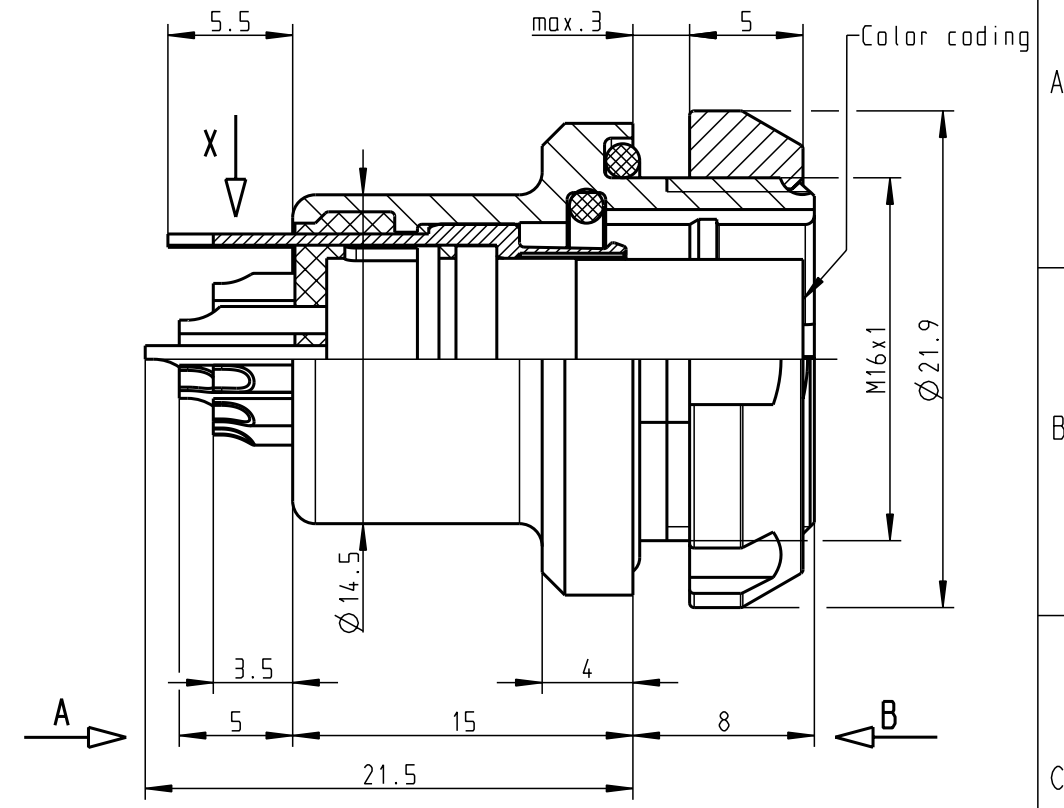
G82YDR-P19WFGO-000L  
Mechanical coding: D  
Color coding: green



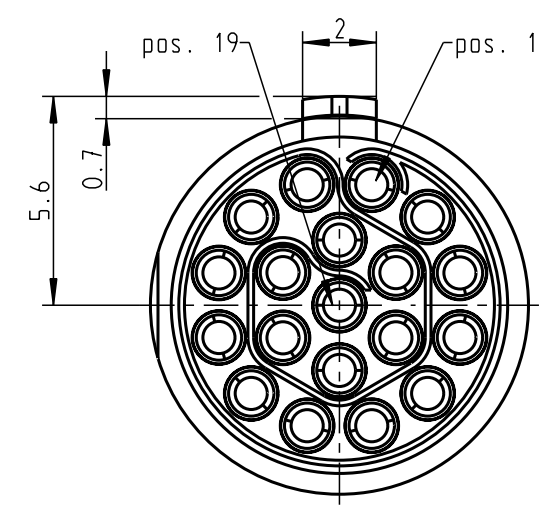
G82YAR-P19WFGO-000L  
Mechanical coding: A  
Color coding: light brown



Delivery condition  
2:1



Only insert and earth tag  
View in direction A  
5:1




Technical information

- Solder contacts: AWG22
- Current load: 7A@Δt40° (Single contact)  
3.15A@Δt40° (Insert)
- Test voltage: 1000V (acc. SAE AS 13441:1998, Contact to contact)
- Rated voltage: 333V (acc. SAE AS 13441:1998) 2)
- For more technical information and accessories see catalogue ([www.odu.de/amc](http://www.odu.de/amc))

- 1) ODU recommend an additional locking of the nut with adhesive (e.g. Loctite 2701) to the screw thread.
- 2) Maximal operating voltage at sea level up to 2.000m. Rated voltage applies no other electrical safety standard. In case other standards rule a specific use of the connector, the application specific safety criteria shall be considered first. This must be evaluated in the frame of equipment engineering.

All shown connectors are according to DIN EN 61984:2009 connectors without breaking capacity (COC)!

				Dimensions without tolerances acc. to middle DIN ISO 2768		PE-modell-nr.:	
						CAD-nr.: 00052019 sheet.:	
				2012 date name		designation:	
				prep. 16.03. M. Meier		Receptacle style 8 AMC Standard Version	
				app.		scale: 3:1	
				norm.		drawing nr.:	
						G82Y.R-P19WFGO-000L	
						replacement for:	
						nr.:	
index	notice	date	name	 otto dunkel gmbh			