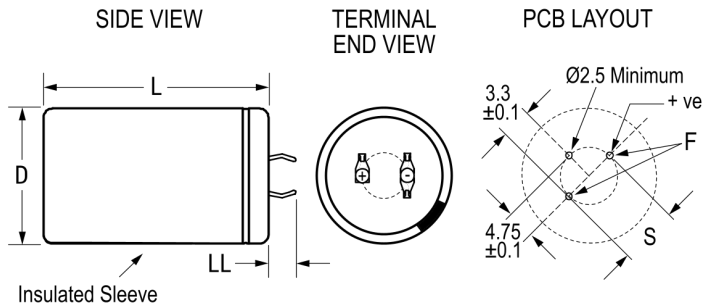


## ALC80F622CD063

Aliases (A547DF622M063F)

ALC80, Aluminum Electrolytic, 6,200 uF, 20%, 63 VDC, -40/+105°C



### General Information

Series	ALC80
Dielectric	Aluminum Electrolytic
Description	Snap-In, Aluminum Electrolytic
RoHS	Yes
Lead	3 Pin Short
AEC-Q200	No
Halogen Free	Yes
Component Weight	50 g
Notes	Dimensions D And L Include Sleevings.
Shelf Life	156 Weeks

### Specifications

Capacitance	6,200 uF
Capacitance Tolerance	20%
Voltage DC	63 VDC, 72.5 VDC (Surge)
Temperature Range	-40/+105°C
Rated Temperature	105°C
Life	7000 Hrs (Rated Voltage And Ripple Current At 105C), 11000 Hrs (Rated Voltage At 105C)
Resistance	56.87 mOhms (100Hz 20C), 41.89 mOhms (10kHz 20C)
Ripple Current	5.673 Amps (100Hz 105C), 8.722 Amps (10kHz 105C)
Leakage Current	1172 uA (5min 20°C)

Click [here](#) for the 3D model.

### Dimensions

D	30mm +1mm
L	40mm +/-2mm
S	10mm +/-0.1mm
LL	4mm +/-1mm
F	2mm +/-0.1mm

### Packaging Specifications

Sleevings	Yes
Packaging	Bulk, Bag

Statements of suitability for certain applications are based on our knowledge of typical operating conditions for such applications, but are not intended to constitute - and we specifically disclaim - any warranty concerning suitability for a specific customer application or use. This information is intended for use only by customers who have the requisite experience and capability to determine the correct products for their application. Any technical advice inferred from this information or otherwise provided by us with reference to the use of our products is given gratis, and we assume no obligation or liability for the advice given or results obtained.