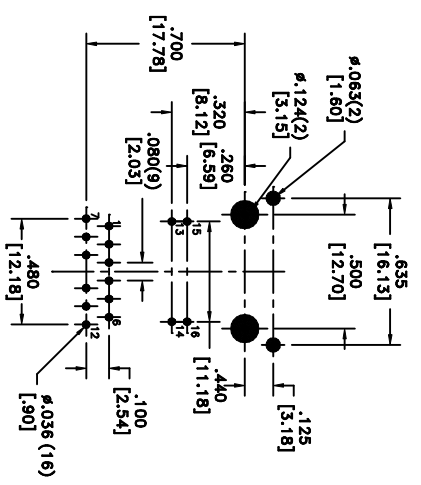
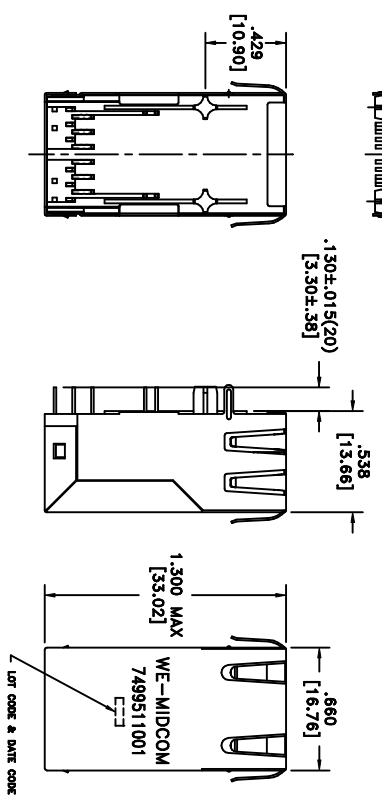
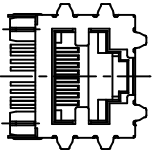
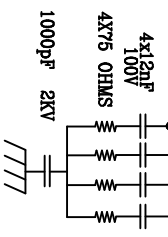
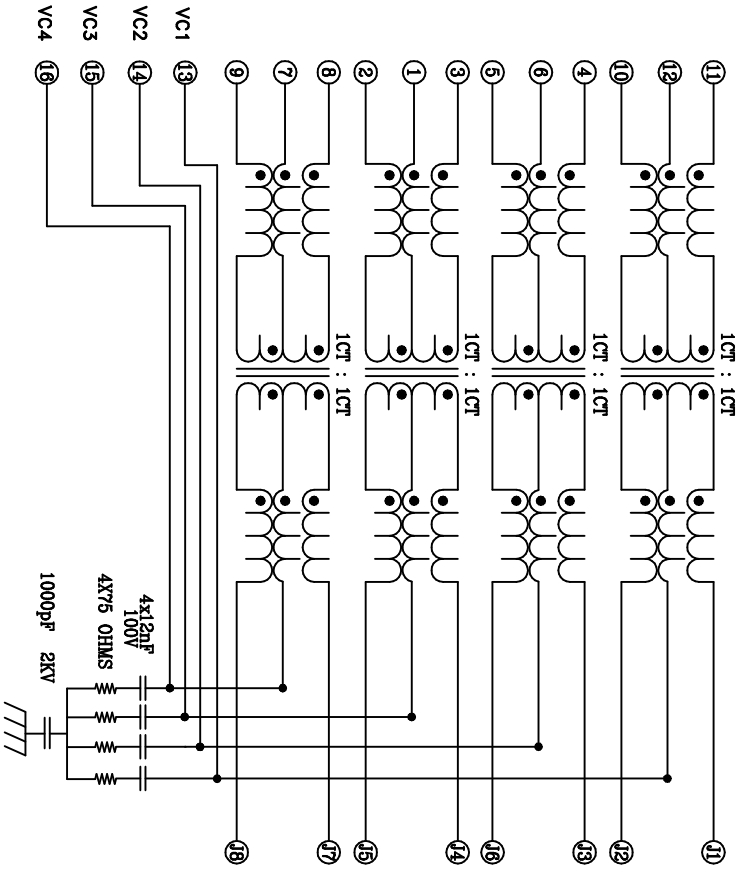


CUSTOMER TERMINAL	RoHS	LEAD(Pb)-FREE
Sn100%	Yes	Yes



P.C. PATTERN, RECOMMENDED  
SIDE

**ELECTRICAL SPECIFICATIONS @ 25°C unless otherwise noted:**  
**INDUCTANCE:** 360nH min., 100kHz, 100mV, 18mADC, J1-J2; J3-J6, J4-J6; J7-J8 Ip.  
**DIELECTRIC RATING:** 1500Vrms or 2250VDC for 1 minute between P1-12 to J1-8.  
**TURNS RATIO/POLARITY:** Per schematic.  
**INSERTION LOSS:** -1.0dB max, 1MHz - 100MHz.  
**RETURN LOSS:** -18dB min., 1M - 30MHz.  
-16dB min., 30M - 45MHz.  
-14dB min., 45M - 60MHz.  
-12dB min., 60M - 80MHz.  
-10dB min., 80M - 100MHz.  
**GROSSTALK:** -30dB typ., 1MHz - 100MHz.  
**COMMON MODE REJECTION:** -35dB min., 1MHz - 100MHz.  
-25dB min., 100MHz - 500MHz.  
**OPERATING TEMPERATURE RANGE:** 0°C to +70°C.  
**Designed to handle 600mADC and meet 802.3at.**



REV.	DATE			
00	04/08			
Packaging Specifications		Unless otherwise specified:		
Method: Tray		Tolerances: ±1/64	Fractions: ±1/64	
PKG-0573		Angles: ±1°	Decimals: ±.010[.25]	
www.midcom-inc.com		This drawing is dual dimensioned. Dimensions in brackets are in millimeters.		
DRAWING TITLE		TRANSFORMER		
Gigabit+PoE+ high performance		Midcom Inc.		
eSOS p/n: 7499511001		www.midcom-inc.com		
REVISIONS: SEE SHEET 1		DRAWING NO. 7499511001		
SCALE ---		SHEET 2 OF 6		

