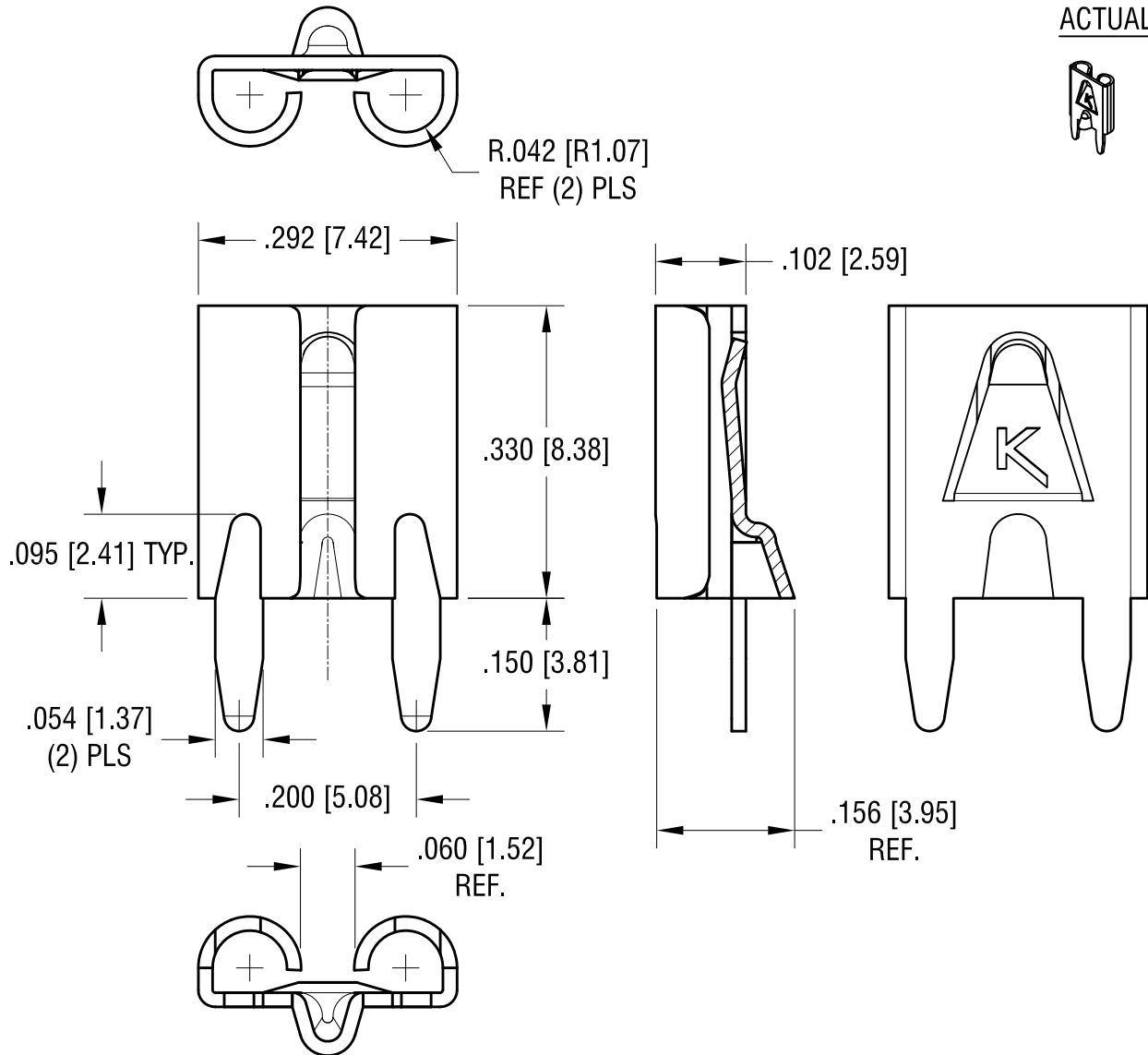
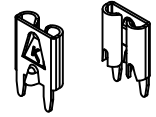


THIS DOCUMENT IS THE PROPERTY OF
KEYSTONE ELECTRONICS CORP. AND
SHALL NOT BE REPRODUCED, DISTRIBUTED
OR USED AS A BASIS FOR MANUFACTURE
WITHOUT PRIOR WRITTEN PERMISSION
FROM KEYSTONE ELECTRONICS CORP.

ACTUAL SIZE



KEYSTONE ELECTRONICS CORP.

www.keyelco.com • NEW HYDE PARK, NY 11040 • Tel (516) 328-7500

PART NAME		PC AUTO FUSE CLIP	
MATERIAL		.016 [0.40] TH'K BRASS	
FINISH		DRN BY	DATE
MATTE TIN PLATE		NT	2.21.10
		APP'D	SCALE
		LN	5X
TOLERANCES	INCH [MM]	CODE	DWG NO.
DECIMAL	$\pm .005$ [± 0.13]	C	3573
ANGULAR	$\pm 1^\circ$		
UNLESS OTHERWISE SPECIFIED			

12.31.18	CHANGE AS PER ECN18-050	B
9.07.12	CHANGE AS PER ECN12-131	A
DATE	DESCRIPTION	REV.