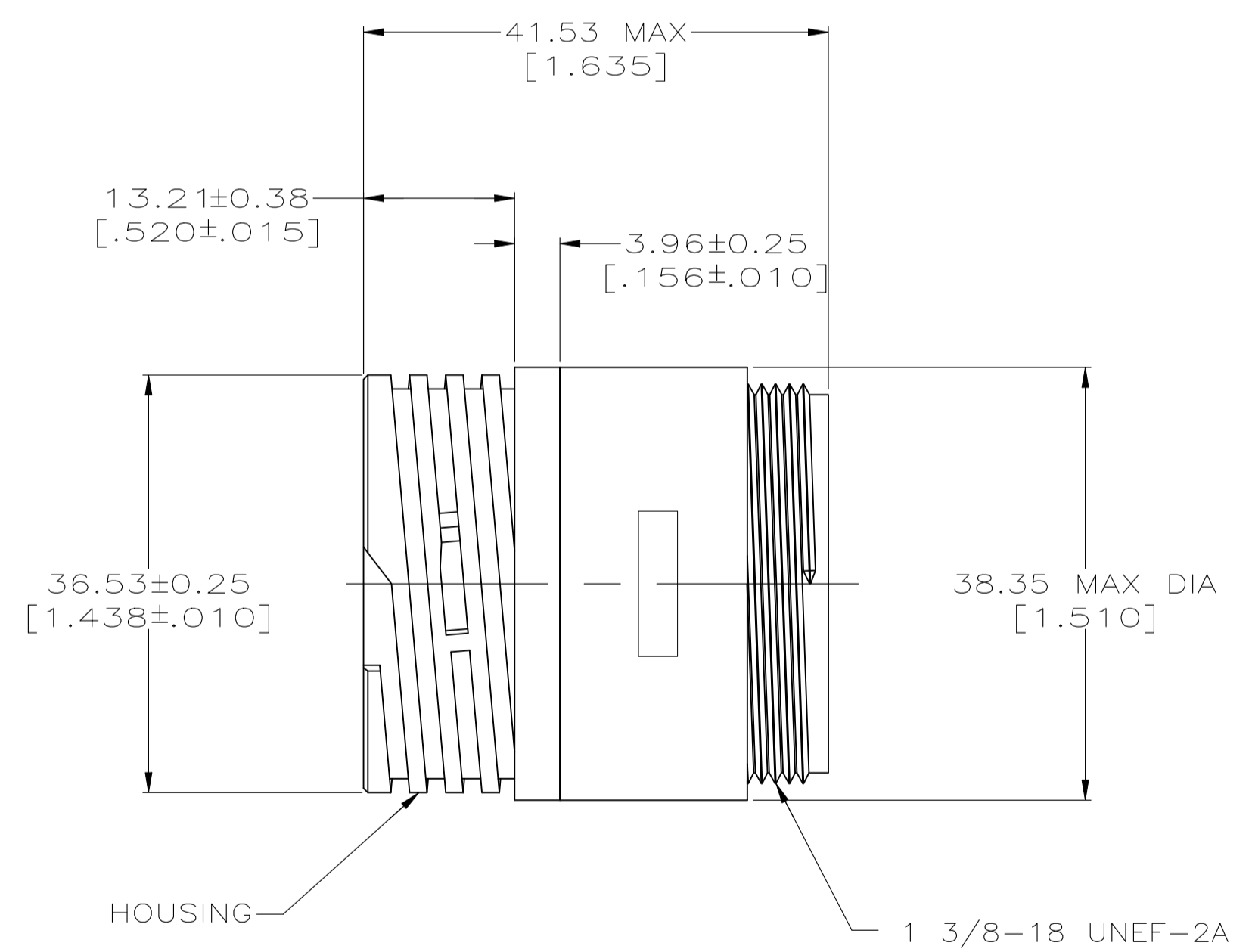
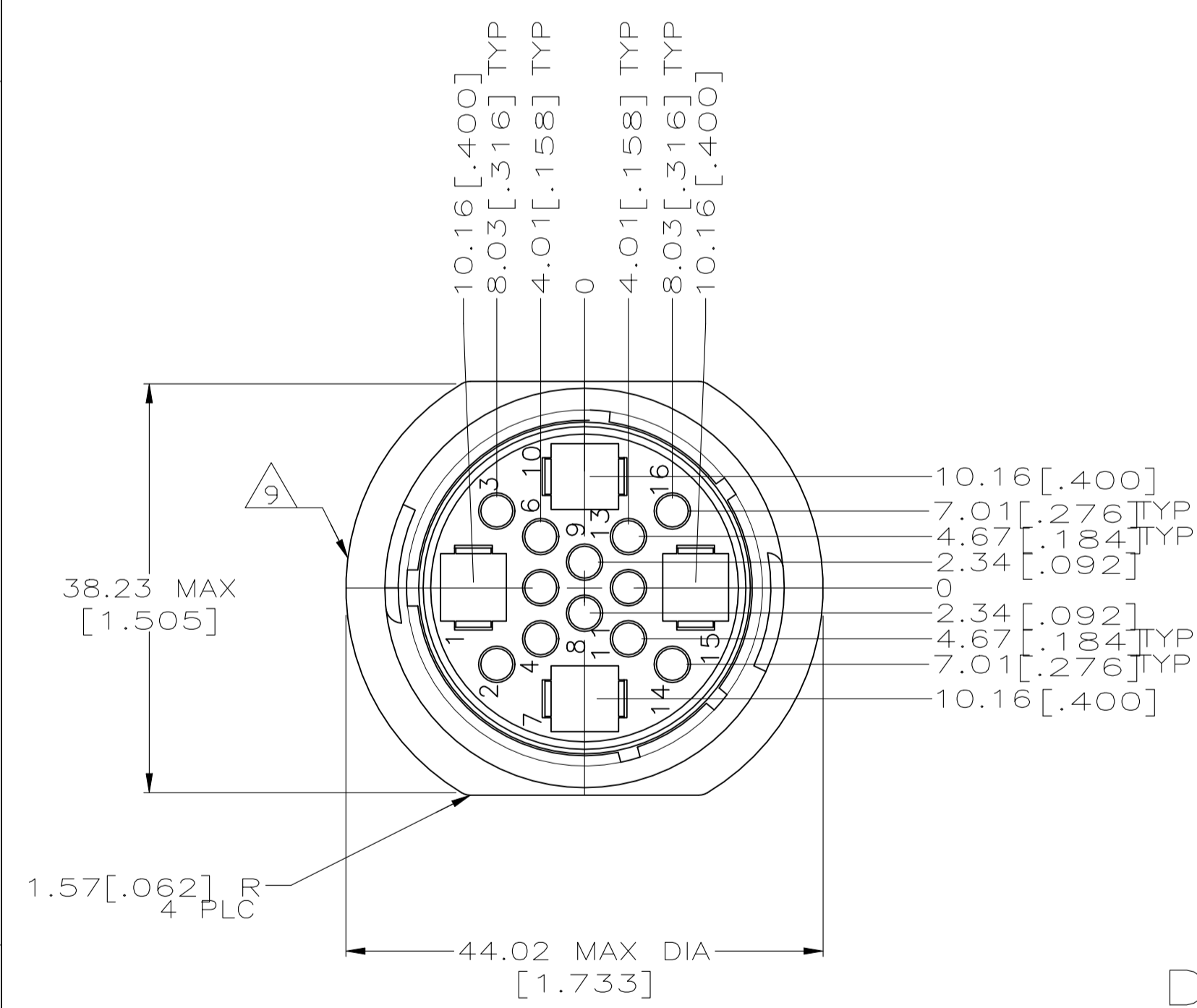
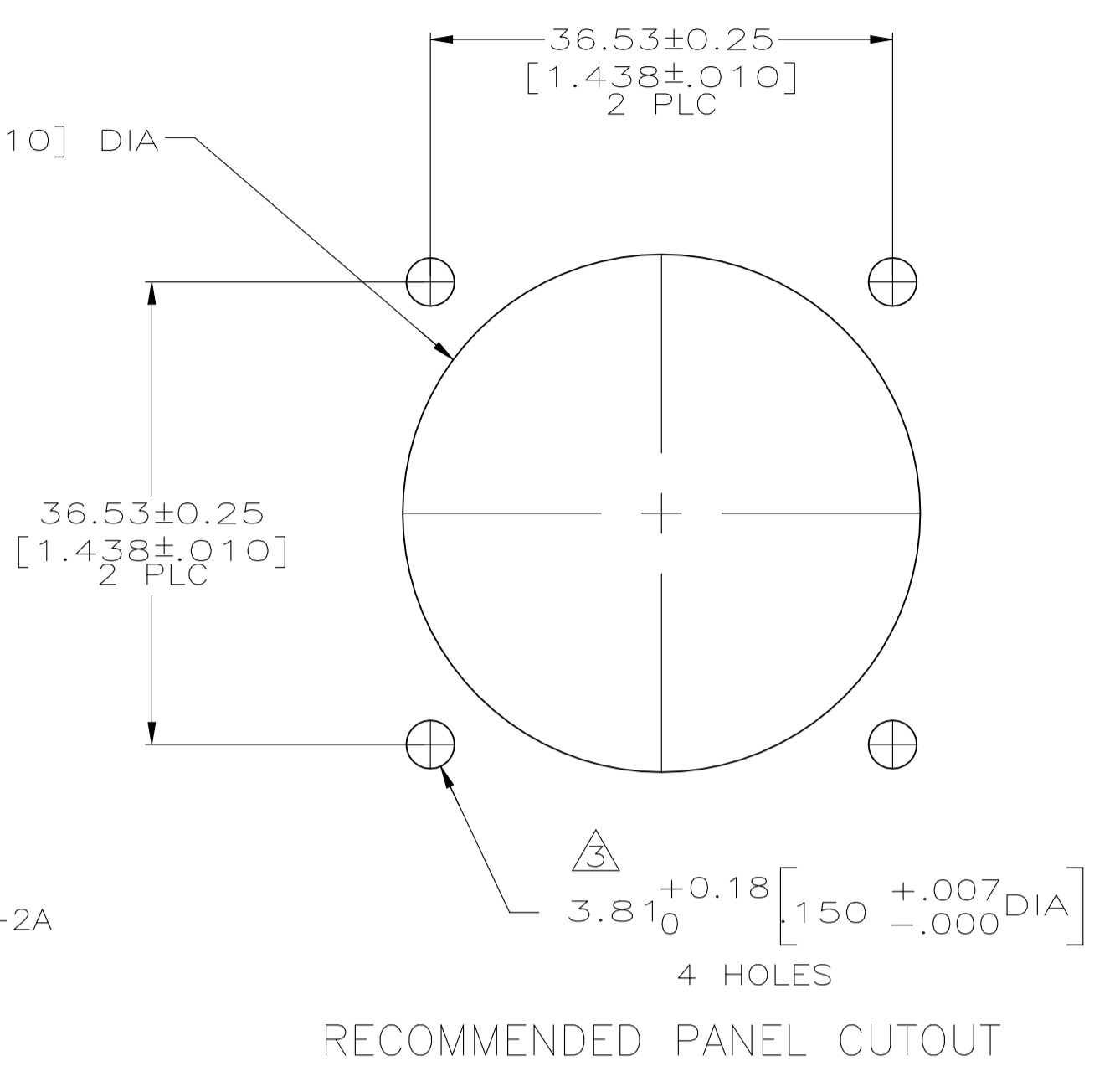
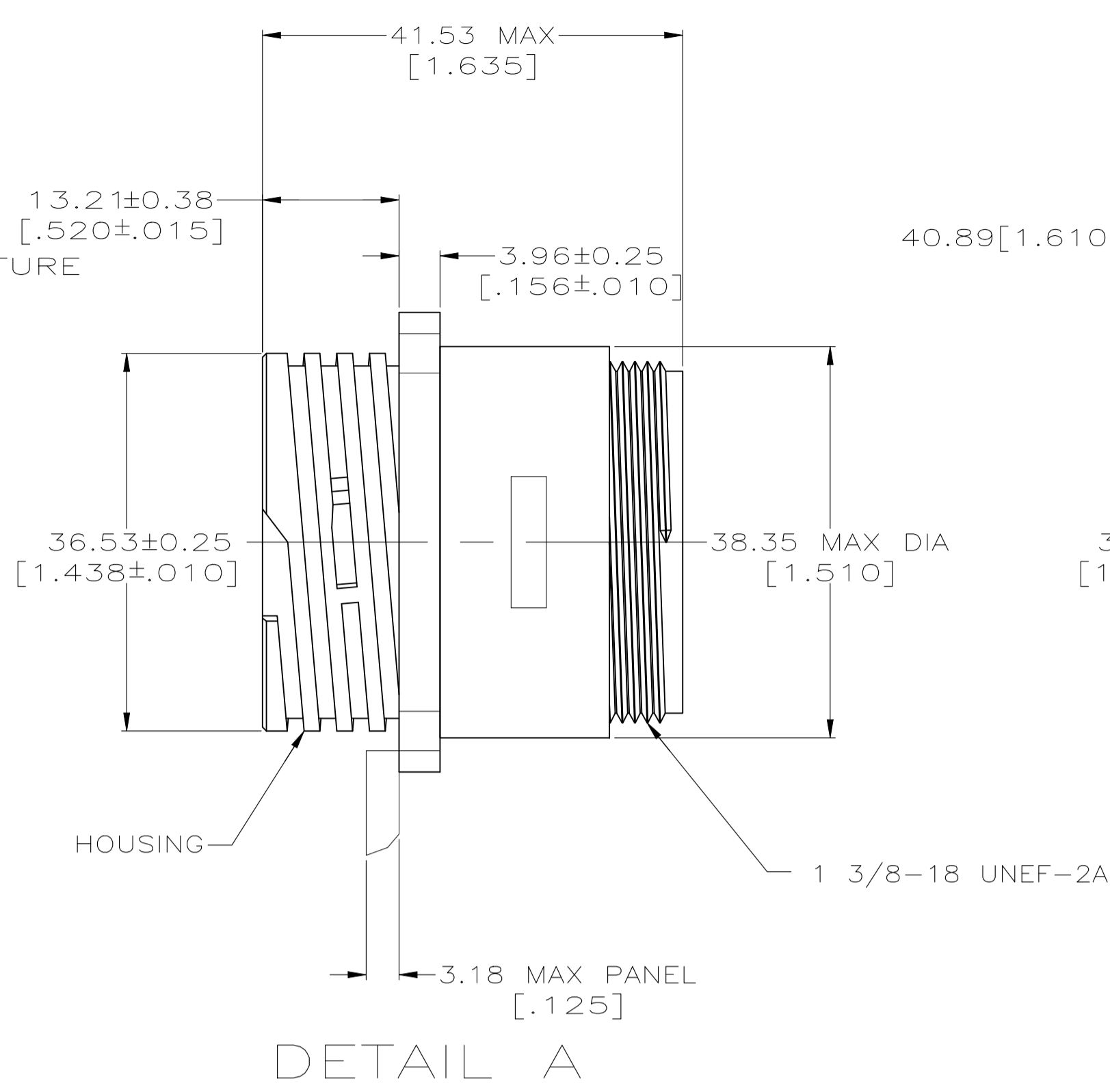
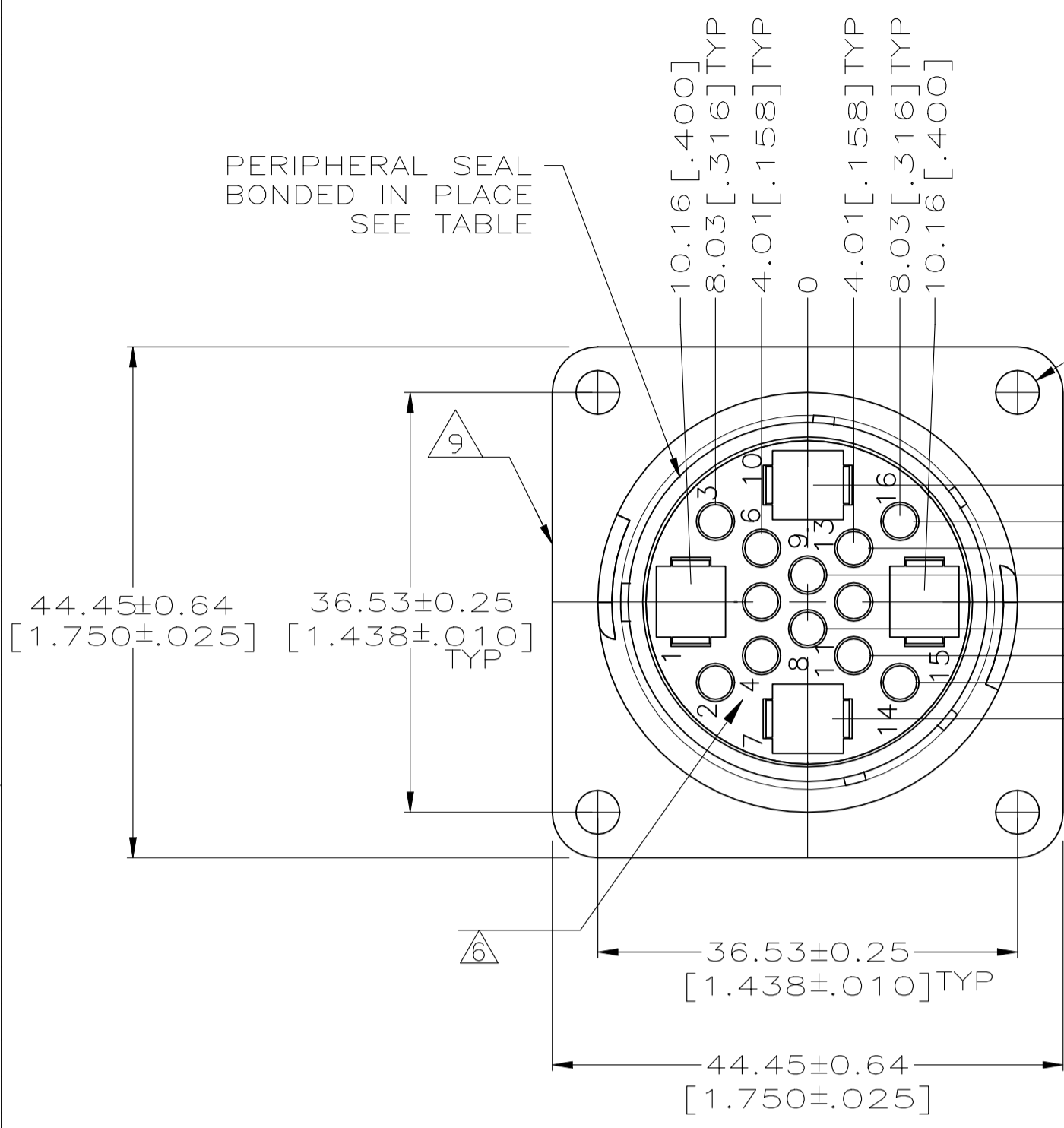


REVISIONS				
P	LTR	DESCRIPTION	DATE	BY
U		REVISED PER ECO-21-006945	28OCT2021	RK MZ



△ TE LOGO AND PART NUMBER LOCATED ON ANY FLANGE EDGE

- WILL ACCEPT (12) MULTIMATE AND (4) TYPE XII PIN CONTACTS.
 - CAVITY IDENTIFICATION ON FRONT AND REAR FACE.
 - NO. 4 FASTENERS RECOMMENDED FOR MOUNTING.
 - THIS CONNECTOR WILL ACCEPT INSULATION DIAMETERS UP TO 3.81 [.150].
- HOUSING: NYLON, BLACK.
 - PERIPHERAL SEAL: ELASTOMER, BLACK.
 - THREADED INSERT: BRASS
 - PERMANENT WHITE MARKED OR WHITE INK STAMPED CAVITY IDENTIFICATION.
 - HOUSING: NYLON, RED.
 - PERIPHERAL SEAL: ELASTOMER, GRAY.
 - WHITE DOT NEAR POSITION 1 ON WIRE ENTRY FACE.

NOTES	MOUNTING FEATURES	PERIPHERAL SEAL	SEE DETAIL	PART NUMBER
△	#4-40 THREADED INSERTS	NO	A	1-207486-2
△	∅ 3.81+/-0.08(.125+/-0.003) HOLES	YES	A	1-207486-1
△	∅ 3.81+/-0.08(.125+/-0.003) HOLES	YES	A	207486-9
△	∅ 3.81+/-0.08(.125+/-0.003) HOLES	YES	A	207486-7
△	#4-40 THREADED INSERTS	YES	A	207486-6
△	∅ 3.81+/-0.08(.125+/-0.003) HOLES	YES	A	207486-5
△	∅ 3.81+/-0.08(.125+/-0.003) HOLES	NO	B	207486-2
△	∅ 3.81+/-0.08(.125+/-0.003) HOLES	NO	A	207486-1

THIS DRAWING IS A CONTROLLED DOCUMENT.

DIN M. BINNER 05/26/94
CHK R. STONE 6-23-94

TE Connectivity

RECEPTACLE HOUSING, STANDARD SEX, SHELL SIZE 23, CPC

108-10024

SCALE 2:1 SHEET 1 of 1 REV U