

LOC	DIST	REVISIONS					
A	66	P	LTR	DESCRIPTION	DATE	DWN	APVD
			A1	SEE PRODUCT DRAWING	-	-	-


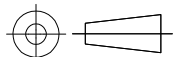
SEE PRODUCTION DRAWING
1855205

THIS DRAWING IS UNPUBLISHED.

RELEASED FOR PUBLICATION
ALL INTERNATIONAL RIGHTS RESERVED.

BY TYCO ELECTRONICS CORPORATION.

© COPYRIGHT

DIMENSIONS: INCHES	DWN	M.YOUNGER	03MAR2010	MATERIAL	-	FINISH	-
	CHK	-	-	 Tyco Electronics Corporation Harrisburg, PA 17105-3608			
TOLERANCES UNLESS OTHERWISE SPECIFIED:	APVD	-	-				
	PRODUCT SPEC	-	-	FINE ADJUST SIDE FEED HDM APPLICATOR			
0 PLC ± - 1 PLC ± - 2 PLC ± - 3 PLC ± - 4 PLC ± - ANGLES ± -	APPLICATION SPEC	-	-	SIZE	CAGE CODE	DRAWING NO	RESTRICTED TO
	WEIGHT	-	-	A4	00779	C-1855205	-
	CUSTOMER DRAWING				SCALE	1:1	SHEET
						REV	A1