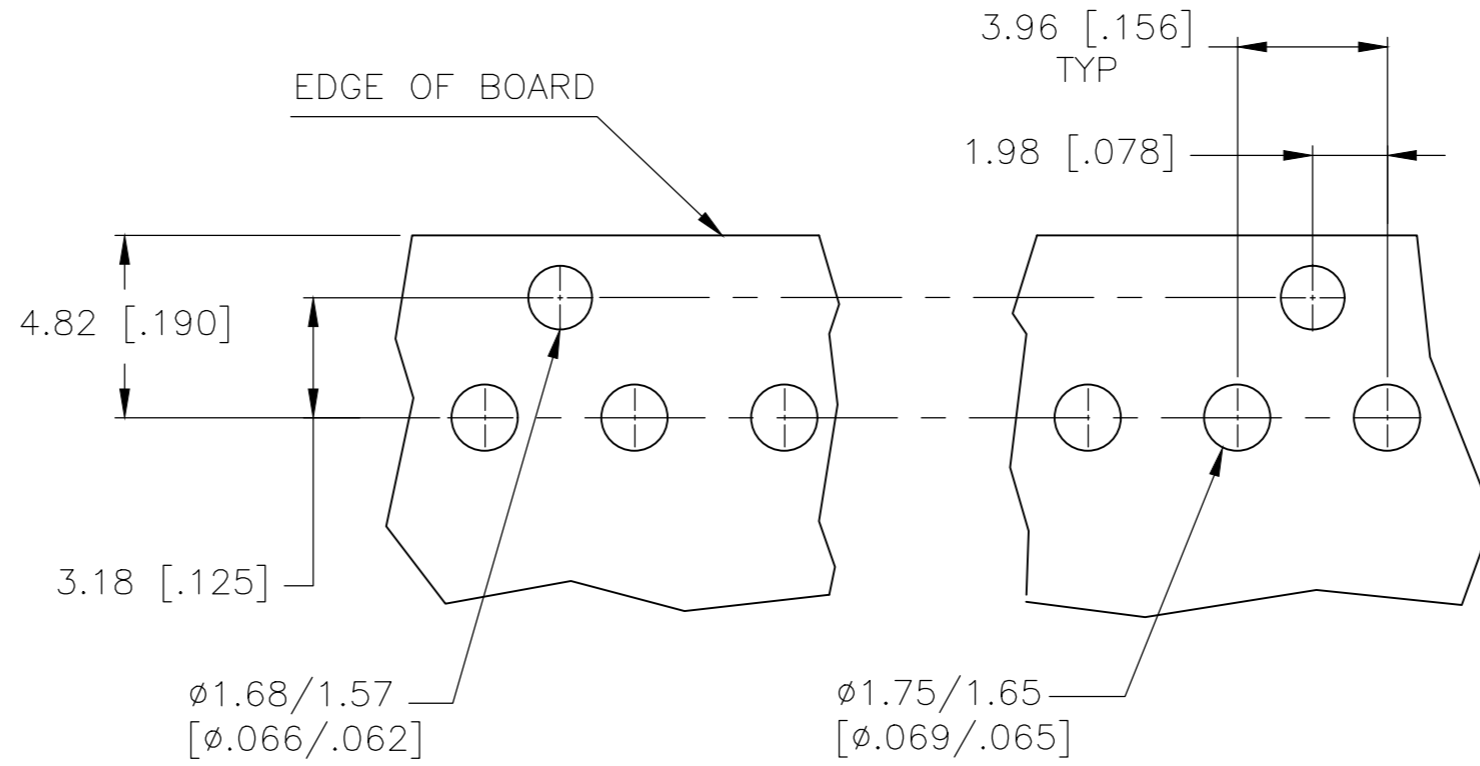
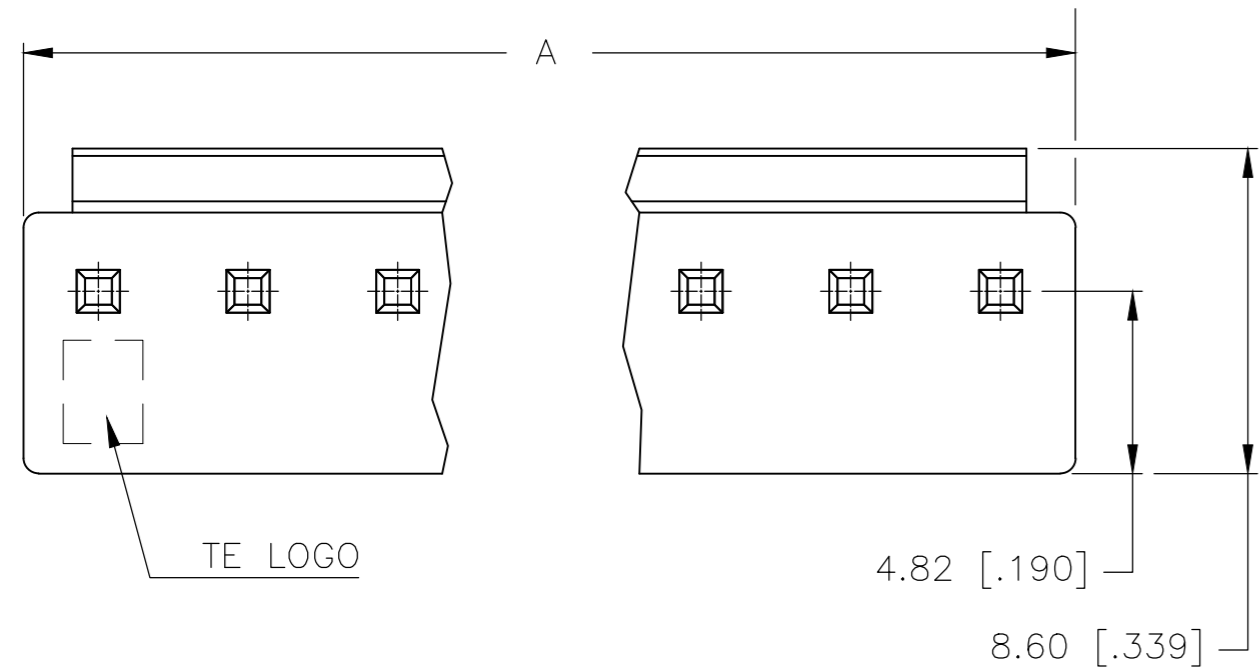


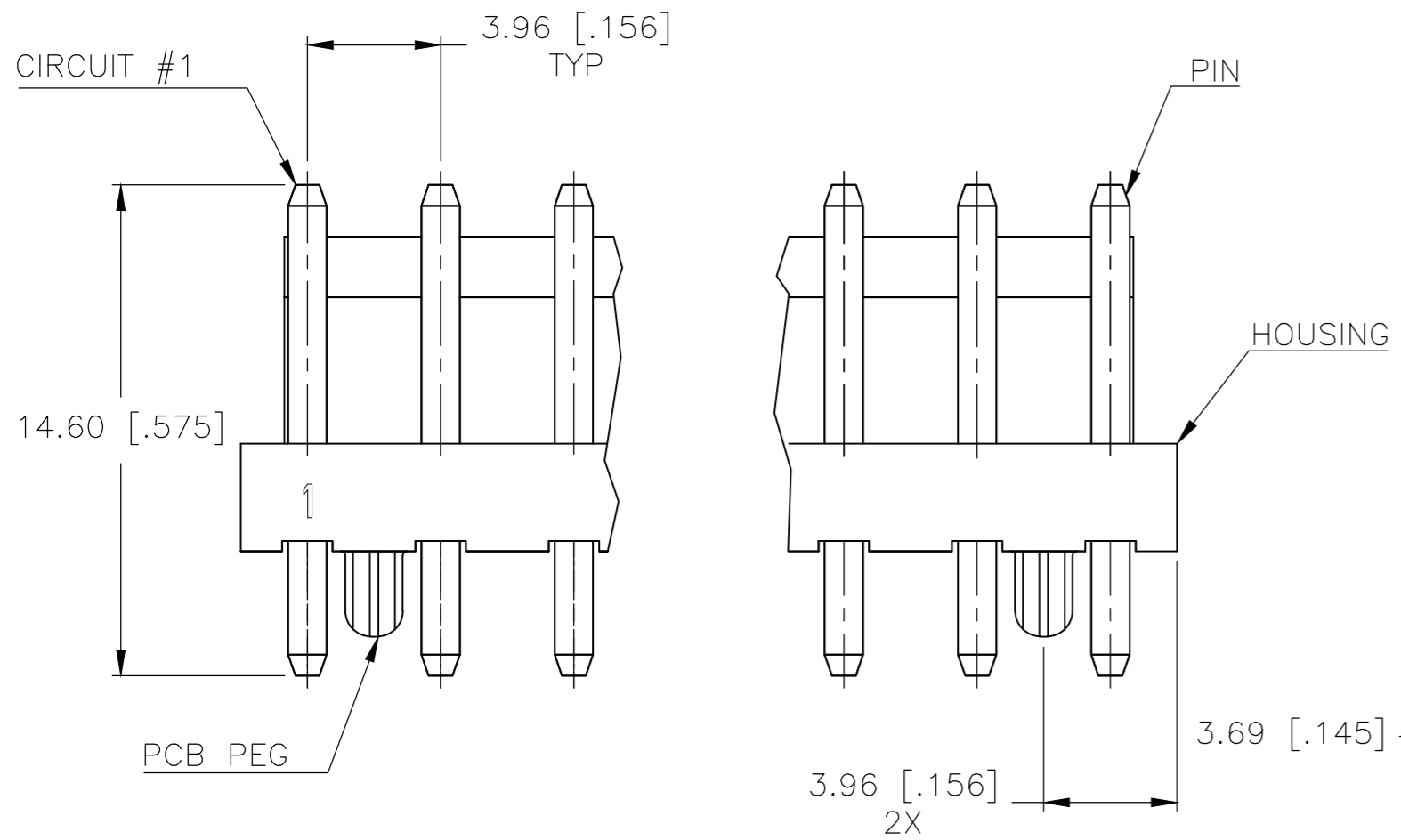
THIS DRAWING IS UNPUBLISHED. RELEASED FOR PUBLICATION
 © COPYRIGHT By - ALL RIGHTS RESERVED.

| REVISIONS | | | | |
|-----------|-----|---------------------------|-----------|---------|
| P | LTR | DESCRIPTION | DATE | APVD |
| D1 | | REVISED PER ECR-20-100585 | 20OCT2020 | S.K D.Z |

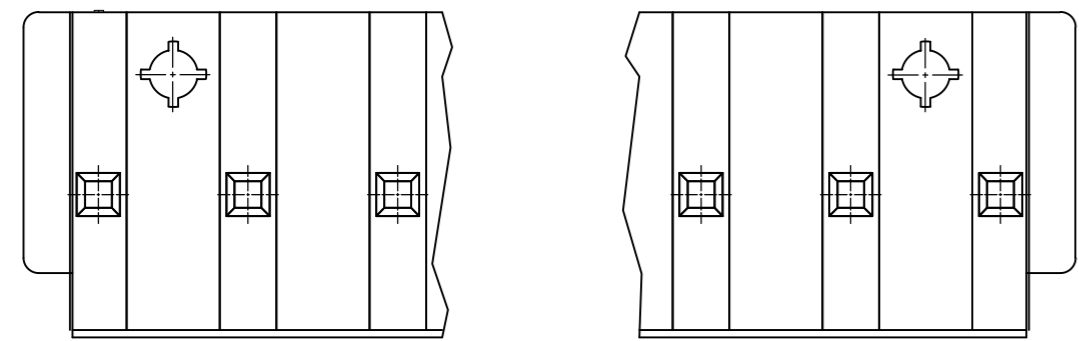


RECOMMENDED MOUNTING HOLE PATTERN FOR 1.60 [.063] THICK PC BOARD

- HOUSING MATERIAL: NYLON, UL94 V0.
 - PIN MATERIAL: BRASS.
 - PIN PLATING: 0.003 [.000120] MIN TIN OVER 0.001 [.000039] MIN NICKEL.
 - 2 POSITION HAS 1 PEG, ALL OTHERS HAVE 2 PEGS.
 - PARTS MEETS IEC 60335-1 GWT (GLOW WIRE TEST) 750°C SPEC.
 - SKETCHES SHOW NO PINS MISSING.
- △ "O" WITH PIN
 "X" WITHOUT PIN.



| PIN POSITIONS | | | | | | | | | NO. OF POSITIONS | COLOR | DIM A | | PART NUMBER |
|---------------|---|---|---|---|---|---|---|---|------------------|---------|-------|---------|-------------|
| 1 | 2 | 3 | 4 | 5 | 6 | 7 | 8 | 9 | | | mm | IN | |
| O | X | O | X | O | X | O | | | 7 | NATURAL | 27.72 | [1.091] | 1-1744429-7 |
| O | X | O | O | X | O | | | | 6 | NATURAL | 23.76 | [0.935] | 2-1744429-6 |
| O | O | X | O | O | O | O | O | O | 9 | NATURAL | 35.64 | [1.403] | 1-1744429-9 |
| O | O | X | O | O | O | | | | 6 | NATURAL | 23.76 | [0.935] | 1-1744429-6 |
| O | X | O | O | | | | | | 4 | NATURAL | 15.84 | [0.624] | 1-1744429-4 |
| O | X | O | X | O | | | | | 5 | NATURAL | 19.80 | [0.780] | 1-1744429-5 |
| O | X | O | | | | | | | 3 | NATURAL | 11.88 | [0.468] | 1-1744429-3 |
| O | O | O | O | O | O | O | O | O | 9 | NATURAL | 35.64 | [1.403] | 1744429-9 |
| O | O | O | O | O | O | O | | | 8 | NATURAL | 31.68 | [1.247] | 1744429-8 |
| O | O | O | O | O | O | O | | | 7 | NATURAL | 27.72 | [1.091] | 1744429-7 |
| O | O | O | O | O | O | | | | 6 | NATURAL | 23.76 | [0.935] | 1744429-6 |
| O | O | O | O | O | | | | | 5 | NATURAL | 19.80 | [0.780] | 1744429-5 |
| O | O | O | O | | | | | | 4 | NATURAL | 15.84 | [0.624] | 1744429-4 |
| O | O | O | | | | | | | 3 | NATURAL | 11.88 | [0.468] | 1744429-3 |
| O | O | | | | | | | | 2 | NATURAL | 7.92 | [0.312] | 1744429-2 |



THIS DRAWING IS A CONTROLLED DOCUMENT.

DWN JR RUTH 09JAN12
 CHK SAM MACE 09JAN12
 APVD SAM MACE 09JAN12

TE Connectivity

NAME: 108-5609
 PRODUCT SPEC: 108-5609
 APPLICATION SPEC

SIZE: A2 CAGE CODE: 00779 DRAWING NO: 1744429 RESTRICTED TO: -
 SCALE: 5:1 SHEET: 1 OF 1 REV: D1

MATERIAL: SEE NOTES FINISH: WEIGHT: CUSTOMER DRAWING