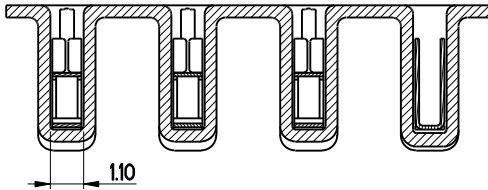


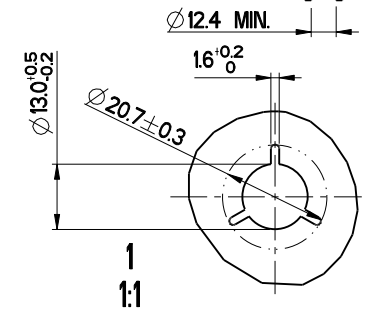
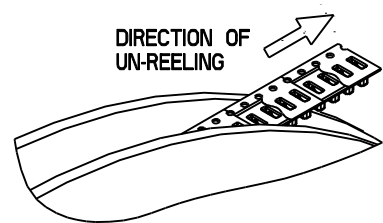
9.3 ANTI-STATIC COVER TAPE
POLYESTER - 0.025 THICK
PRESSURE SEAL



NOTES: SECTION A-A
1, UNSPECIFIED INTERNAL RADII R0.2 MM MAX.
2, CARRIER TAPE MATERIAL - BLACK CONDUCTIVE POLYSTYRENE.

PACKAGING DETAILS

- 1) 3200 PCS TO BE PACKED PER REEL
- 2) LEADER : 400 MM
- 3) TRAILER : 160 MM
- 4) REEL MATERIAL - BLACK ANTI-STATIC POLYSTYRENE



DO NOT SCALE							A3/B			
Drawn	BILLS	13-JUL-11	Material:	 3rd ANGLE PROJECTION Surface Roughness Unless Specified	 ITT Industries Cannon Electronics (SZ) Co. Ltd.	Toupandun Industrial Area, Jinda Cheng, Xiner Village, Shajing Town, Baoan District, Shenzhen City PRC 518125		Pro/E Generic Model		
Checked	PL	13-JUL-11	SEE NOTES 1			Title		MICRO UNIVERSAL CONTACT Z 4.0mm		
Engineer	BILLS	13-JUL-11						Drwg. No.	120220-0315	iss/rev
Manufact.	-	.	Treatment:							B
Assembly	-	.				Scale	1:1	Sheet 2 of 2		
Quality	-	.								
Approvals	Sign	Date	Dimensions in: mm	Cust Spec No:						

This is issued in strict confidence on condition that it is not used as a basis for manufacture or sale and that it is not copied, reprinted or disclosed to a third party either wholly or in part without the prior written consent of ITT Industries © 24-May-05