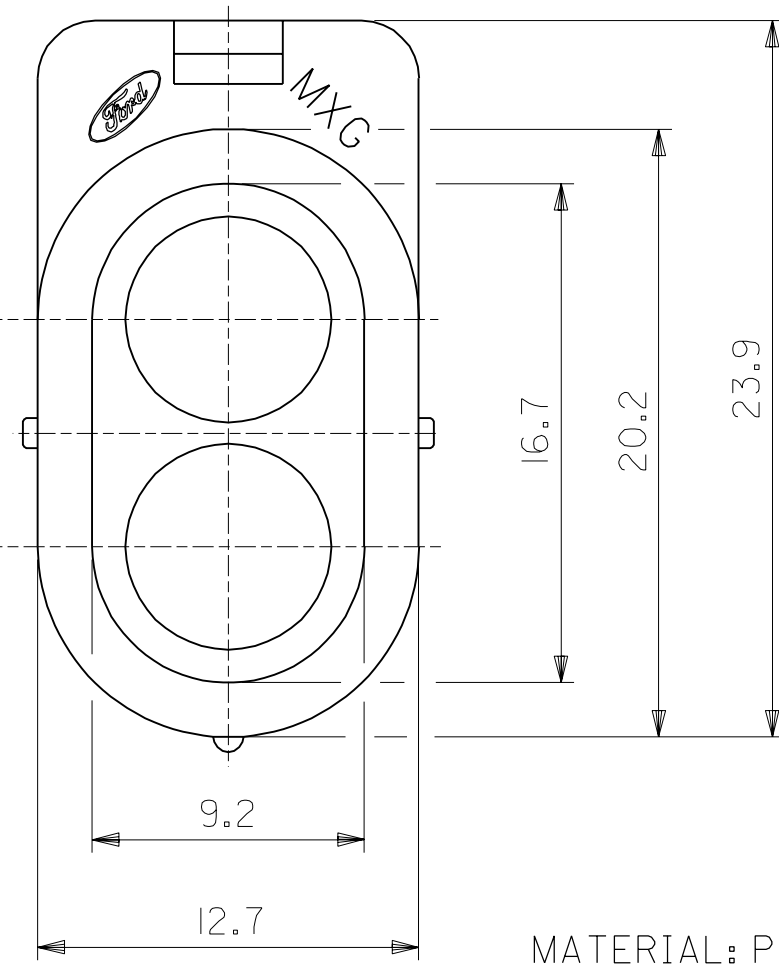
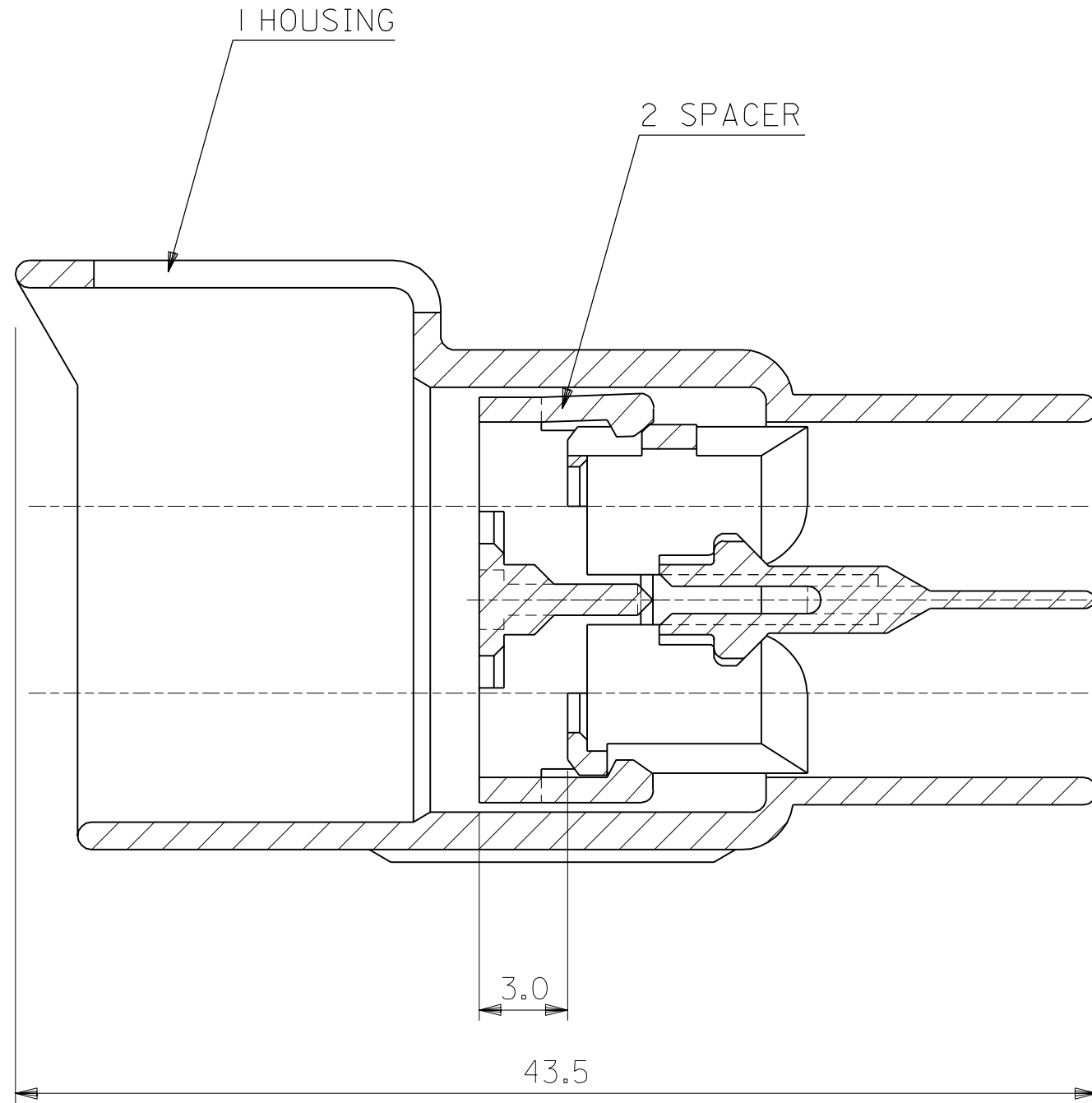


MOLEX NO.	COLOR	FARBE	RAL
98018-0001	BLACK	SCHWARZ	9005
98018-0002	BROWN	BRAUN	8017
98018-0003	BLUE	BLAU	5015
98018-0004	GREEN	GRUEN	6001
98018-0005	YELLOW	GELB	1018
98018-0006	GREY	GRAU	7035
98018-0007	ORANGE	ORANGE	1007
98018-0008	NATURAL	NATUR	-



MATERIAL: PBTP 30% GV

FOR PREVIOUS
DRAWING ISSUES
SEE "EDIS"

ECN MXG 1028
01.03.93
H. DIETZ
D LTR REVISIONS

DIMENSIONS SHOWN (METRIC) INCH		DRWG BY
UNLESS OTHERWISE SPECIFIED TOLERANCES: ANGULAR ±		DT
INCH (METRIC)		CHK'D BY
3 PLACE ±	±	ARE
2 PLACE ±	±	APP'D BY
1 PLACE ±	± 0.2	APO
DRAFT WHERE APPLICABLE MUST REMAIN WITHIN DIMENSIONS		SCALE
DESIGN DIMENSION (PRIMARY)	<input checked="" type="checkbox"/> (MM) <input type="checkbox"/> IN.	
EQUIVALENT DIMENSION (SECONDARY)	<input type="checkbox"/> (MM) <input type="checkbox"/> IN.	

REVISE ONLY ON CAD SYSTEM		SH.	REV.
CADCAM FILENAME SDA98018 DCN	THIS DRAWING CONTAINS INFORMATION THAT IS PROPRIETARY TO MOLEX INC. & SHOULD NOT BE USED WITHOUT WRITTEN PERMISSION		
TITLE 2-WAY HOUSING FOR MALE TERMINAL			
MOLEX MOLEX EUROPE		SHEET NO. 1 / 1	DATE 87 / 02 / 19
PART NO. SEE TABLE	DWG NO. SDA-98018	SIZE B	