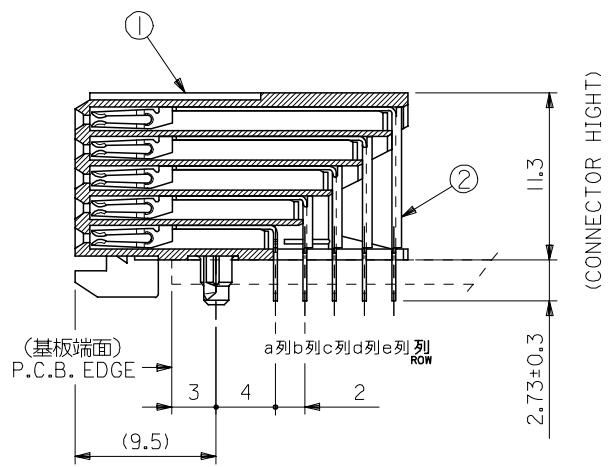
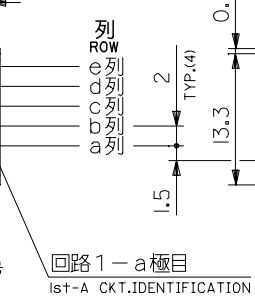
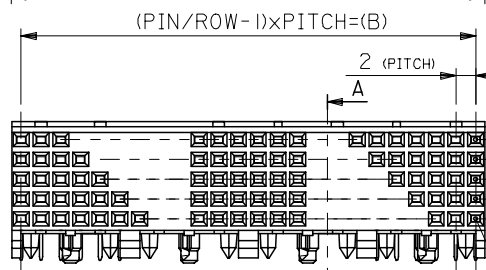
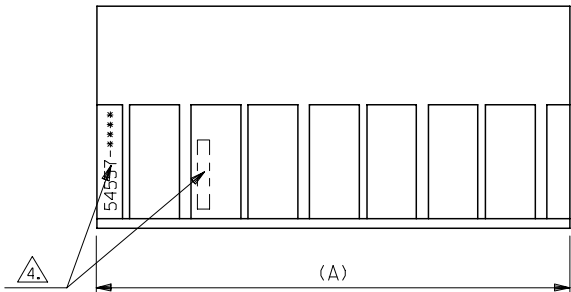


DWG. 10.
SD-54557-004

番号 No.	部品 PART NAME	材質 MATERIAL	仕上げ FINISH
①	リセプタクル ハウジング RECEPTACLE HOUSING	液晶ポリマー、ガラス充填、自然色(白)、UL94V-0 LIQUID CRYSTAL POLYMER, GLASS FILLED, NATURAL(WHITE), UL94V-0	—
②	リセプタクル ターミナル RECEPTACLE TERMINAL	リン青銅 PHOSPHOR BRONZE	△1

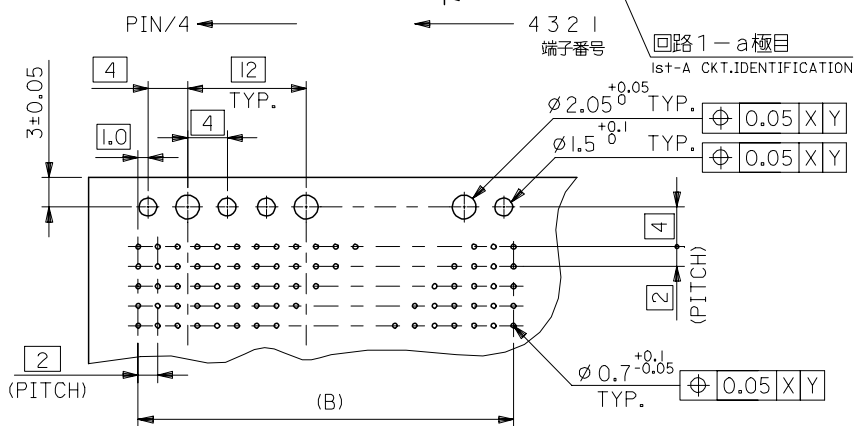


A-A
(NON-SCALE)

注記
NOTE :

- △1 ターミナル めっき仕様
TERMINAL PLATING
金めっき: 0.76 μm MIN. (接点部)
GOLD : 0.76 μm MIN. (CONTACT AREA)
TIN : 1.0 ~ 2.5 μm. (半田付け部)
TIN : 1.0 ~ 2.5 μm. (SOLDER AREA)
ニッケルメッキ: 2.0 μm MIN. (下地めっき)
NICKEL : 2.0 μm MIN. (UNDER PLATING)
- 2. 推奨基板厚: t = 1.6mm
RECOMMENDED P.C.B. THICKNESS : t = 1.6mm
- 3. 適合プラグ: 55060, 55332, 55333
APPLICABLE PLUG :
- △2 製品番号及びロットナンバー
MATERIAL NO. & LOT NO.

94	95.98	54557-2409	240
46	47.98	54557-1209	120
22	23.98	54557-0609	60
10	11.98	54557-0309	30
B	A	MATERIAL NO.	PIN



基板穴推奨寸法 (部品実装)
RECOMMENDED P.C.B. LAYOUT (COMPONENT SIDE)

DO NOT SCALE DRAWING				MODEL NO. : 54557-***9		DIMENSIONS:		SHT	REV					
EC NO.	DRWN:	CHK:	APPR:	SCALE	DESIGN UNITS	THIRD ANGLE PROJECTION	mm	INCH	mm	INCH	mm	INCH	ONLY	REVISE ON CAD ONLY
				2-1	<input checked="" type="checkbox"/> mm <input type="checkbox"/> INCH	<input type="checkbox"/> THIRD ANGLE <input checked="" type="checkbox"/> PROJECTION	<input type="checkbox"/> mm <input type="checkbox"/> INCH	<input type="checkbox"/> mm <input checked="" type="checkbox"/> ONLY						
				10 UNDER 未滿	±0.2	DRAWN BY & DATE Harvey Wang Nov.02/04	TITLE: "MFB" B/B CONN. (FB+) REC. ASS'Y 5ROW DIP (LEAD FREE)							
				10 OVER 以上	±0.25	CHECKED BY & DATE Grate Ma Nov.02/04	MATERIAL NO. SEE TABLE							
				30 UNDER 未滿	±0.3	APPROVED BY & DATE	DRAWING NO. SD-54557-004							
				30 OVER 以上	±0.3		SHEET NO. 1 OF 1							
				WIRE RANGE 適用電線範囲		CAD FILENAME SD-54557-004.S01	THIS DRAWING CONTAINS INFORMATION THAT IS PROPRIETARY TO MOLEX INCORPORATED AND SHOULD NOT BE USED WITHOUT WRITTEN PERMISSION.				SIZE	B		
				INS. RANGE 被覆外径										

SD-54557-004-S01