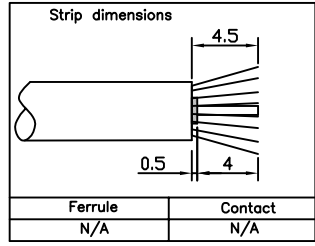
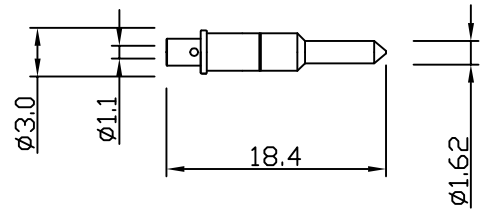
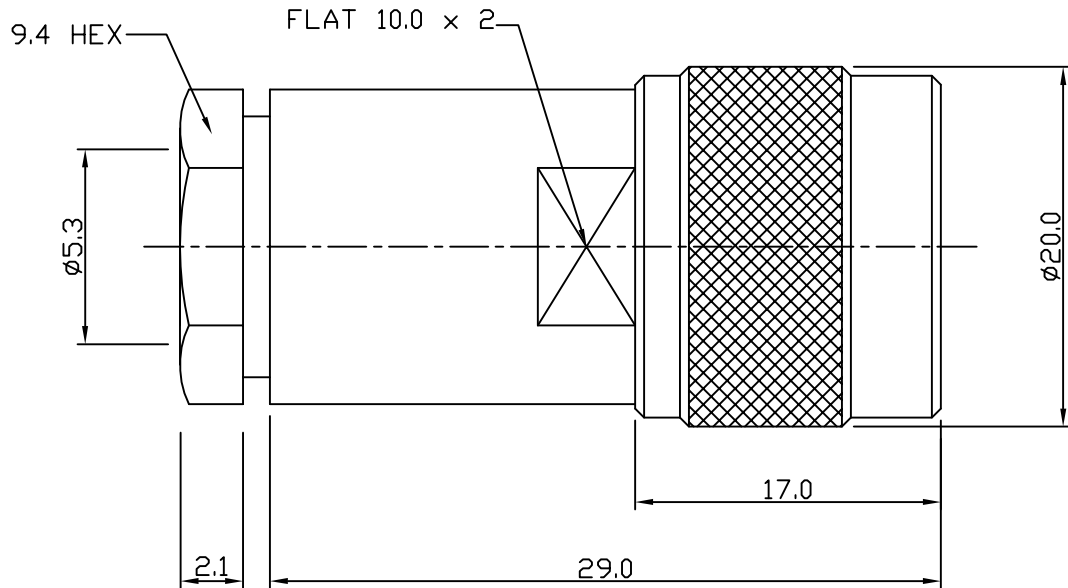


RoHS COMPLIANT



Electrical Characteristics

Nominal Impedance:	50 ohms
Frequency Range:	DC to 11 GHz
VSWR:	1.35:1 maximum
Insertion Loss:	0.17 dB max
Operating Voltage (rms):	1500 V maximum at sea level
Dielectric Withstand Voltage (rms):	2500 V maximum at sea level
Contact Resistance:	1.0 milliohms maximum
Insulation Resistance:	5000 megohms minimum

Mechanical Characteristics

Mating Cycles:	500 cycles minimum
Interface Dimensions:	Conform to MIL-C-39012

Environmental Characteristics

Temperature Range:	-55 °C to +85 °C
--------------------	------------------

PART	DESCRIPTION	
1	Clamp Nut	Brass, nickel plated
2	Washer	Steel, nickel plated
3	Gasket	Rubber
4	Taper Clamp	Brass, nickel plated
5	Body	Brass, nickel plated
6	Dielectric	Teflon
7	Contact	Brass, gold plated

DESCRIPTION OF REVISION	APPVD	ISS	DATE
Strip Dimensions Updated	JC	5	06 April 11
Dimensions Updated	JT	4	04 Mar 10
Update Dims	MS	3	7 Jan 09
Amendment	BT	2	24 Sept 08
First Issue	BT	1	11 Nov 07

For stripping and assembly instructions see Drawing Number: VAIN1205



Cinch Connectivity Solutions
7-13 Russel Way,
Widford Industrial Estate,
Chelmsford, Essex,
CM1 3AA, UK.
Tel: +44 (0) 1245 359515
Fax: +44 (0) 1245 358938

SCALE: Not To Scale

DIMENSIONS: mm

TOLERANCES:
± 0.2mm unless
otherwise stated

DRAWN BY:

B Thomas

CHECKED BY:

M Spooner

APPROVED BY:

M Spooner

DATE:

05 Nov 07

TITLE:

N Clamp Plug for RG58

PART NUMBER:

VNS10-2051

PAGE: 1 of 1