

U_B12	B12.SchDoc
U_B13	B13.SchDoc
U_B14	B14.SchDoc
U_B15	B15.SchDoc
U_B16	B16.SchDoc
U_B34	B34.SchDoc

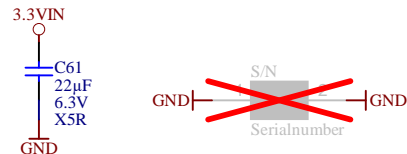
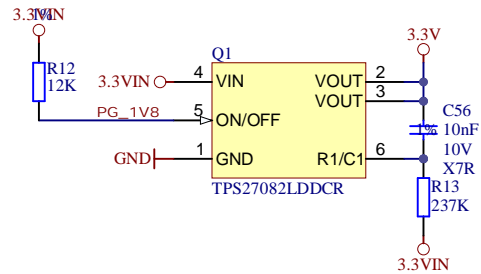
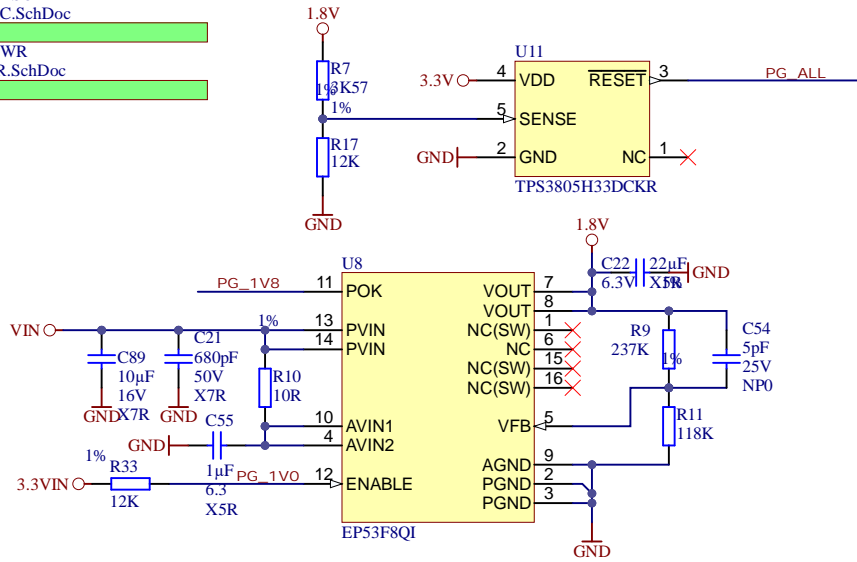
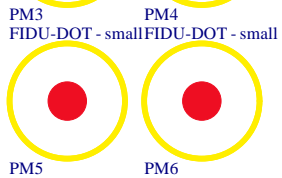
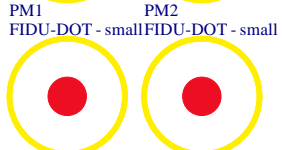
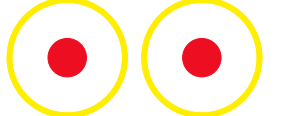
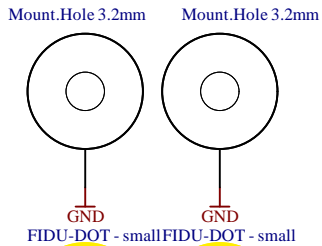
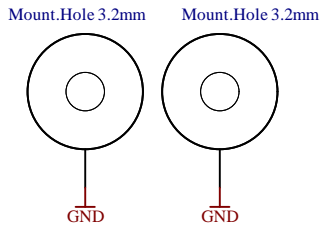
U_FPGA-MGT	FPGA-MGT.SchDoc
U_FPGA-CFG	FPGA-CFG.SchDoc
U_FPGA-MISC	FPGA-MISC.SchDoc
U_FPGA-PWR	FPGA-PWR.SchDoc

U_PWR1	PWR1.SchDoc
U_PWR2	PWR2.SchDoc

U_Clock	Clock.SchDoc
---------	--------------

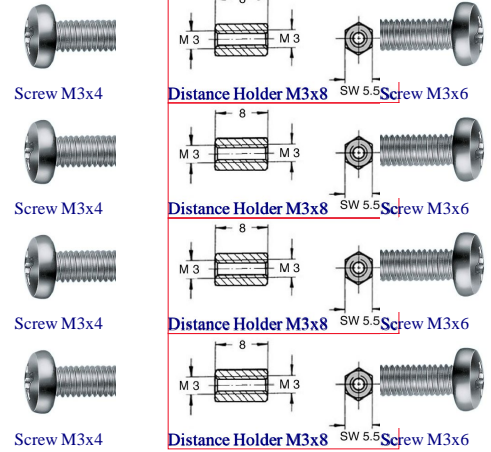
U_B2B-Connectors	B2B-Connectors.SchDoc
------------------	-----------------------

U_B33	B33.SchDoc
-------	------------



Serial
Serial
Serialnumber 6,3 x 6,3mm

Top of Board



Assembly variant	325-2IF
Created by	VT
Modified by	VT
Modified at	2017-01-23
SVN Revision	8679

	Title: TE0741	
	A4	Number: TE0741 325-2IF
	Date: 2016-10-25	Copyright: 2013 Trenz Electronic GmbH
	Page 1	of 17
Filename: TE0741.SchDoc		
Rev. 03		

1

2

3

4

B13 48 IO, 24 LVDS Pairs
 B14 8 IO, 3.3V
 MGT 3 Lanes

B16 16 IO, 8 LVDS Pairs
 MGT 4 + 1 Lanes
 B14 4 IO, 3.3V

B15 18 IO, 9 LVDS Pairs
 B12 48 IO, 24 LVDS Pairs
 B12 2 IO

A

A

B

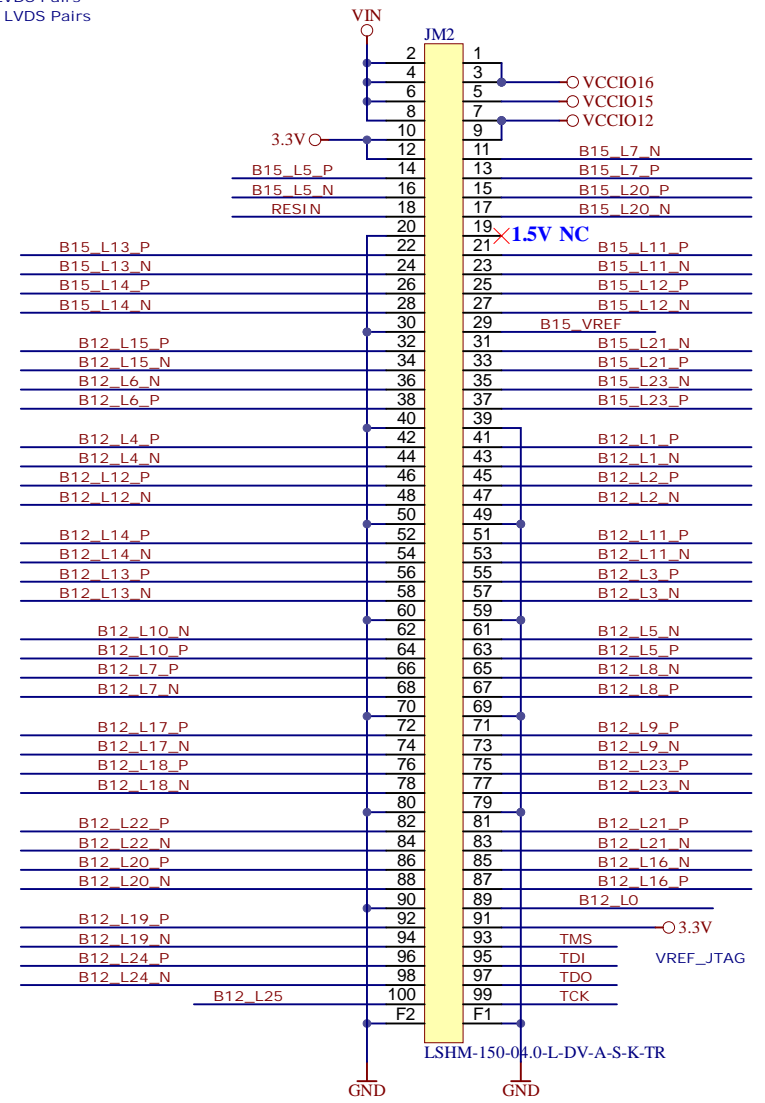
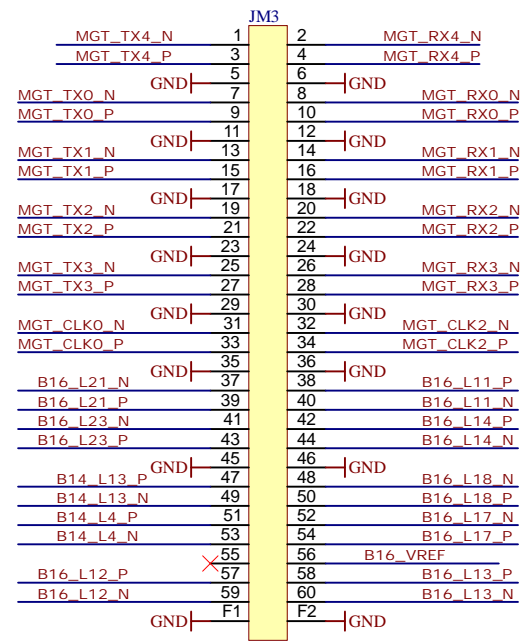
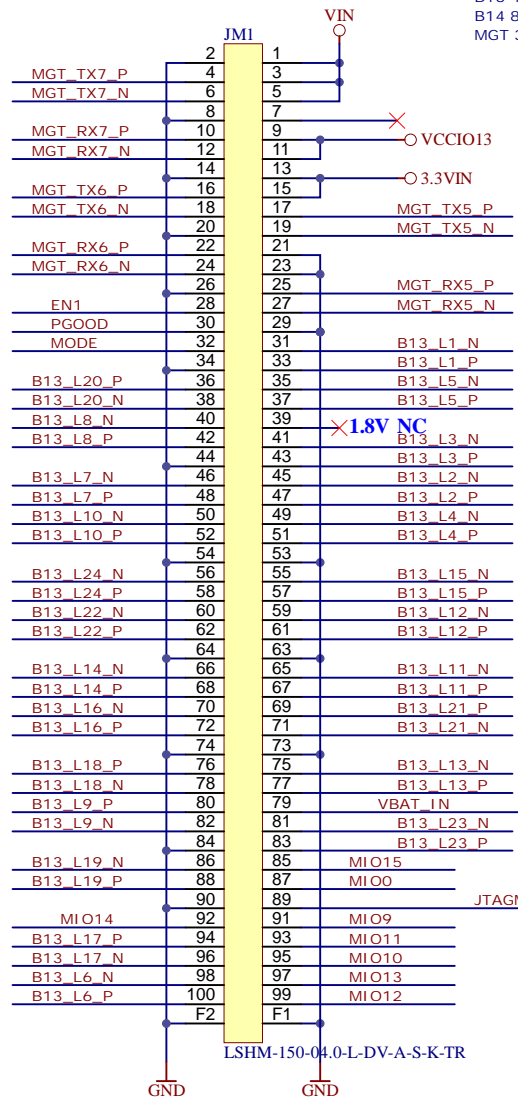
B

C

C

D

D



TE0720 Compatibility

MIO0 8 pins => 8 IO B14
 USB D+,D-, vbusen,otg_id => 4 IO B14
 SGMII => MGT
 MIO1(SDCARD) => MGT
 ETH MD1 => MGT
 B34 => B16, MGT
 B35 => B13
 B13 => B12
 B33 => B15

Clock Capable I/O
 All pins named
 Bxx_11_X
 Bxx_12_X
 Bxx_13_X
 Bxx_14_X
 Are Clock Capable I/O's



Title: TE0741		
A4	Number: TE0741 325-2IF	Rev. 03
Date: 2016-10-25	Copyright: 2013 Trenz Electronic GmbH	Page2 of 17
Filename: B2B-Connectors.SchDoc		

1

2

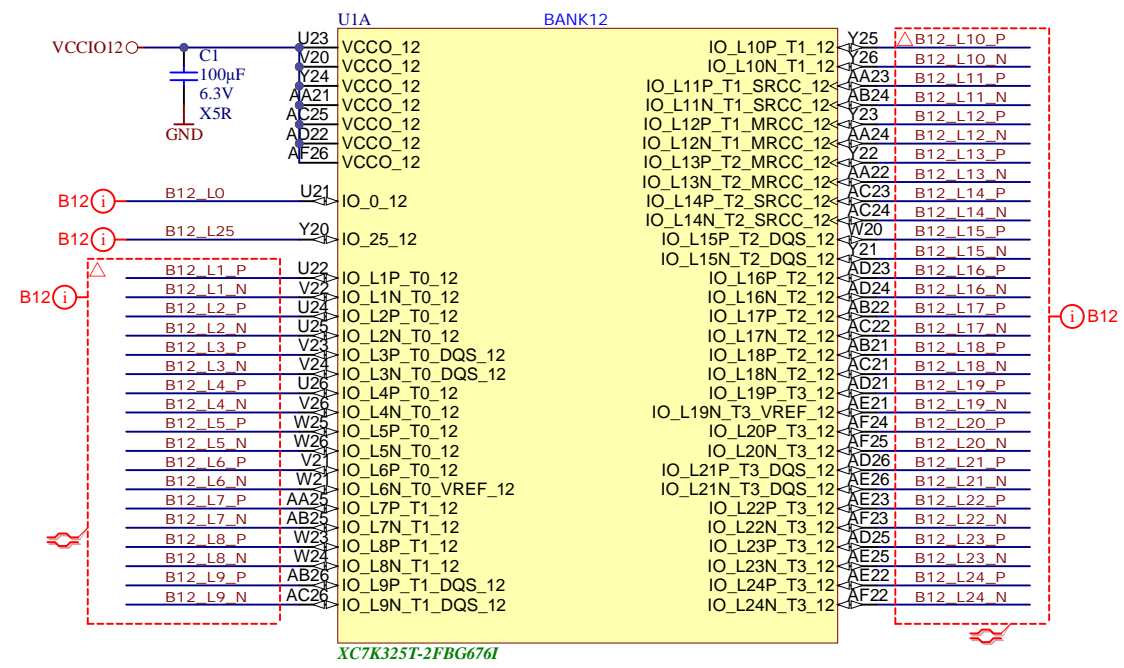
3

4

B12_FIXED (i) △

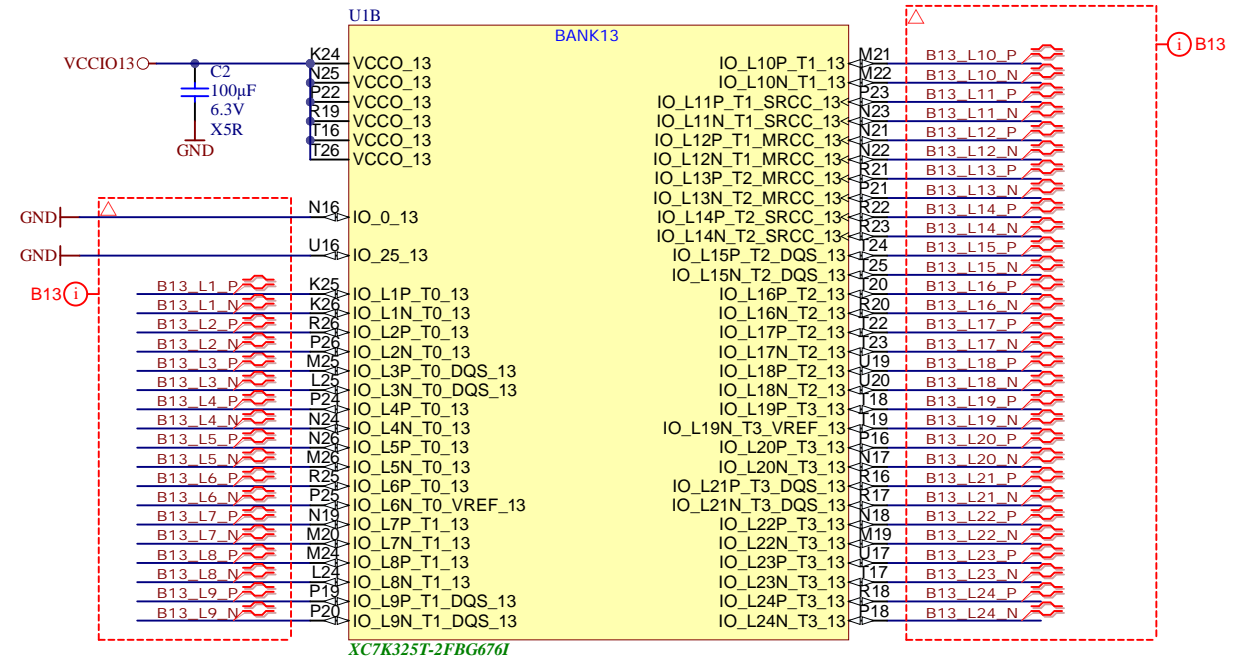
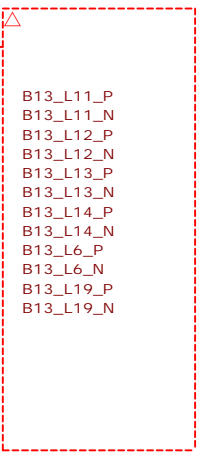
B12_L11_P
B12_L11_N
B12_L12_P
B12_L12_N
B12_L13_P
B12_L13_N
B12_L14_P
B12_L14_N
B12_L19_P
B12_L19_N
B12_L6_P
B12_L6_N

K70T version does not have this bank!



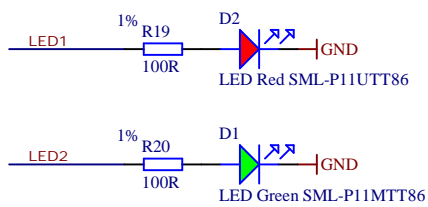
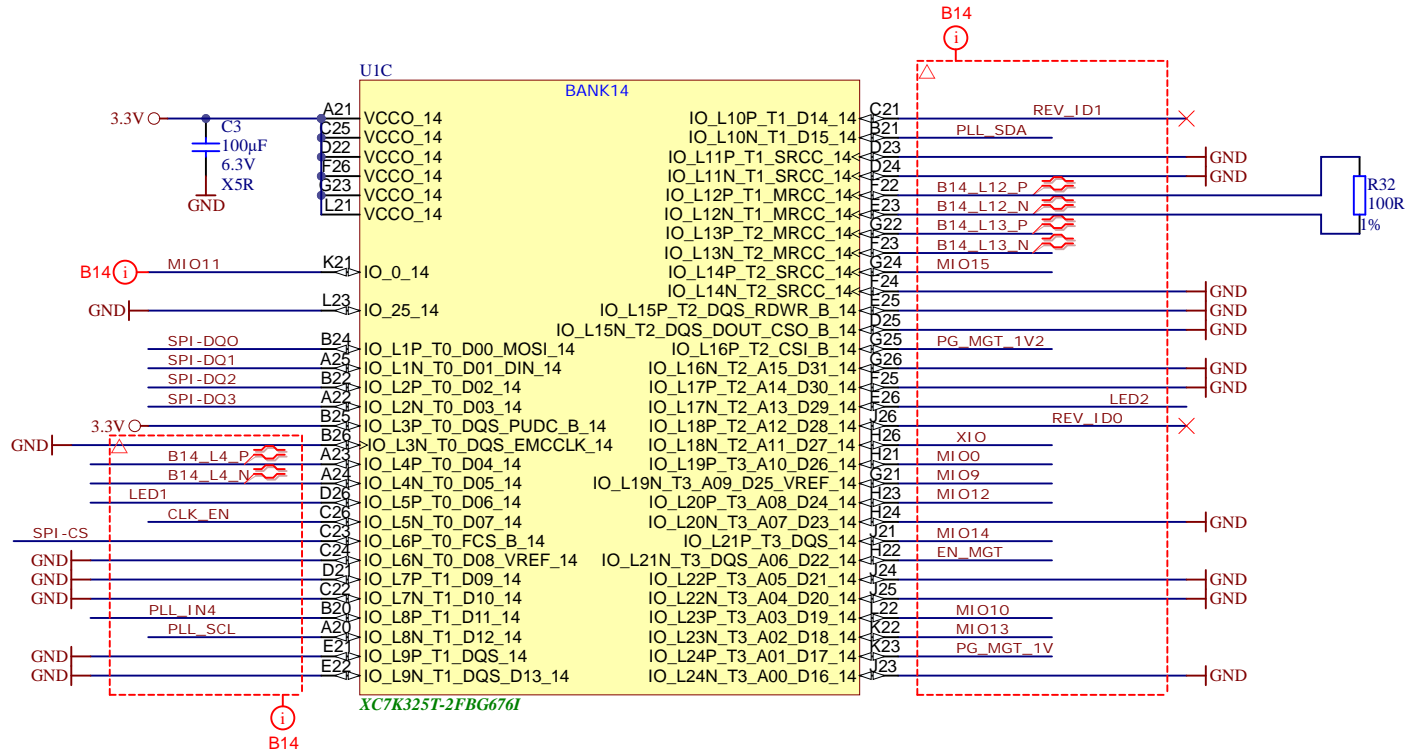
	Title: TE0741	
	A4	Number: TE0741 325-2IF
	Date: 2016-10-25	Rev. 03
	Page3 of 17	
Filename: B12.SchDoc		

B13_FIXED (i)

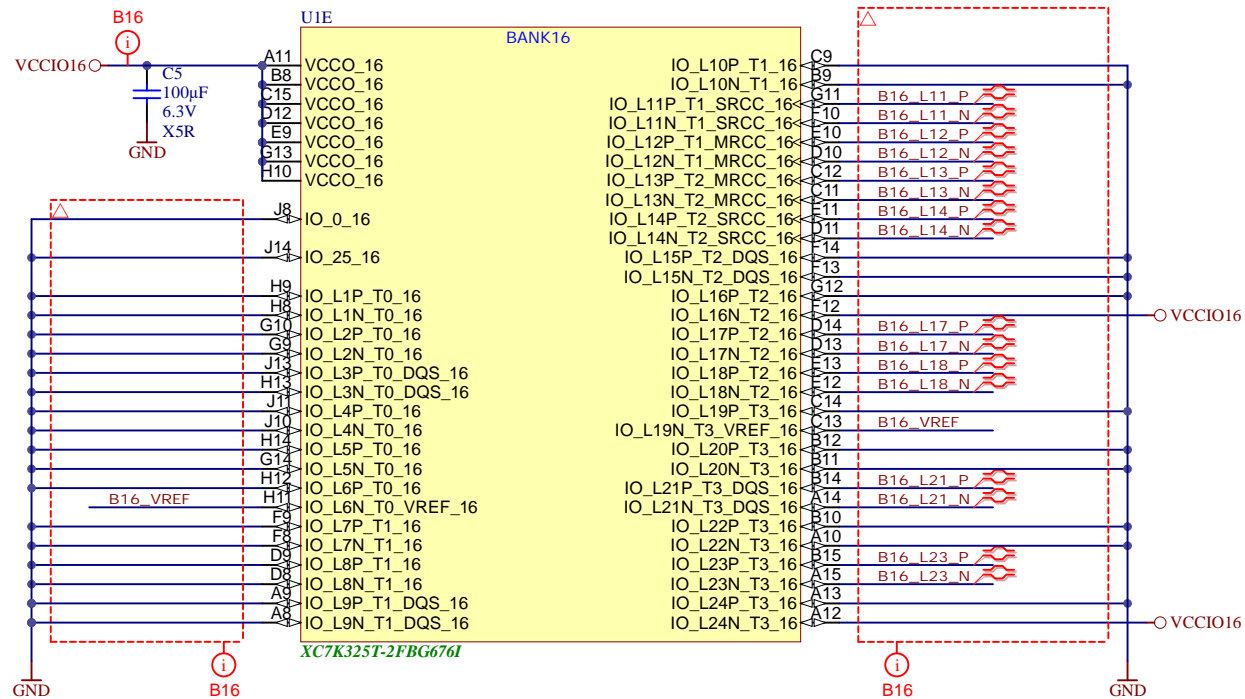


XC7K325T-2FBG676I

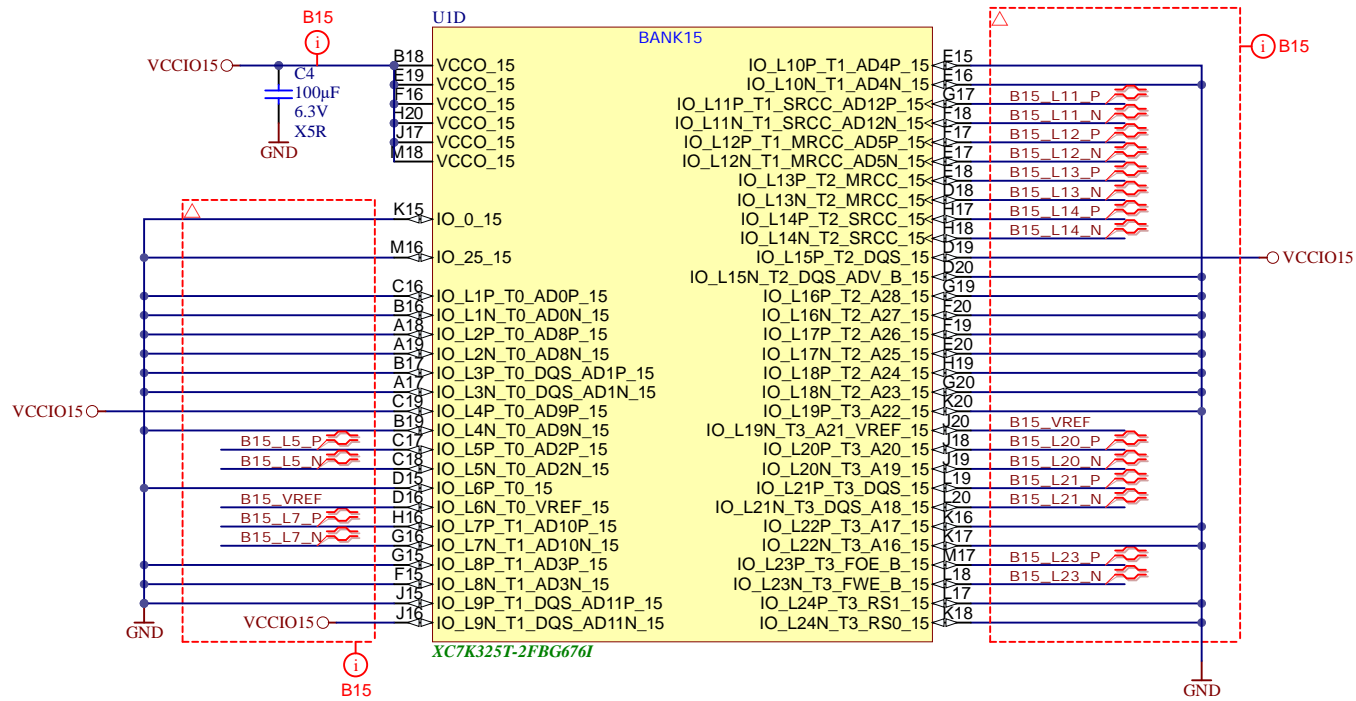
	Title: TE0741		
	A4	Number: TE0741 325-2IF	Rev. 03
	Date: 2016-10-25	Copyright: 2013 Trenz Electronic GmbH	Page 4 of 17
	Filename: B13.SchDoc		



Title: TE0741		
A4	Number: TE0741 325-2IF	Rev. 03
Date: 2016-10-25	Copyright: 2013 Trenz Electronic GmbH	Page5 of 17
Filename: B14.SchDoc		



	Title: TE0741		
	A4	Number: TE0741 325-2IF	Rev. 03
	Date: 2016-10-25	Copyright: 2013 Trenz Electronic GmbH	Page 6 of 17
	Filename: B16.SchDoc		



Title: TE0741		
A4	Number: TE0741 325-2IF	Rev. 03
Date: 2016-10-25	Copyright: 2013 Trenz Electronic GmbH	Page 7 of 17
Filename: B15.SchDoc		

1

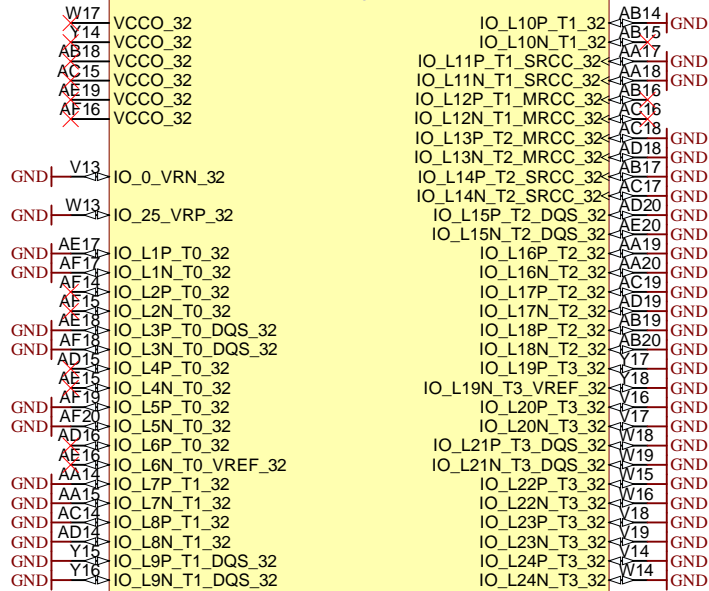
2

3

4

UIF

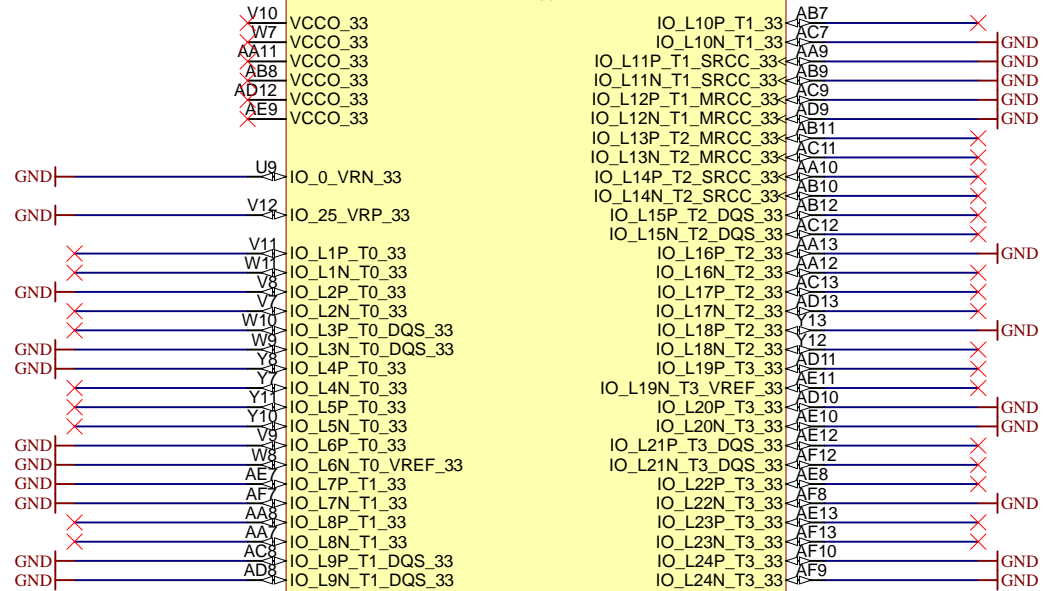
BANK32



XC7K325T-2FBG676I

UIG

BANK33



XC7K325T-2FBG676I



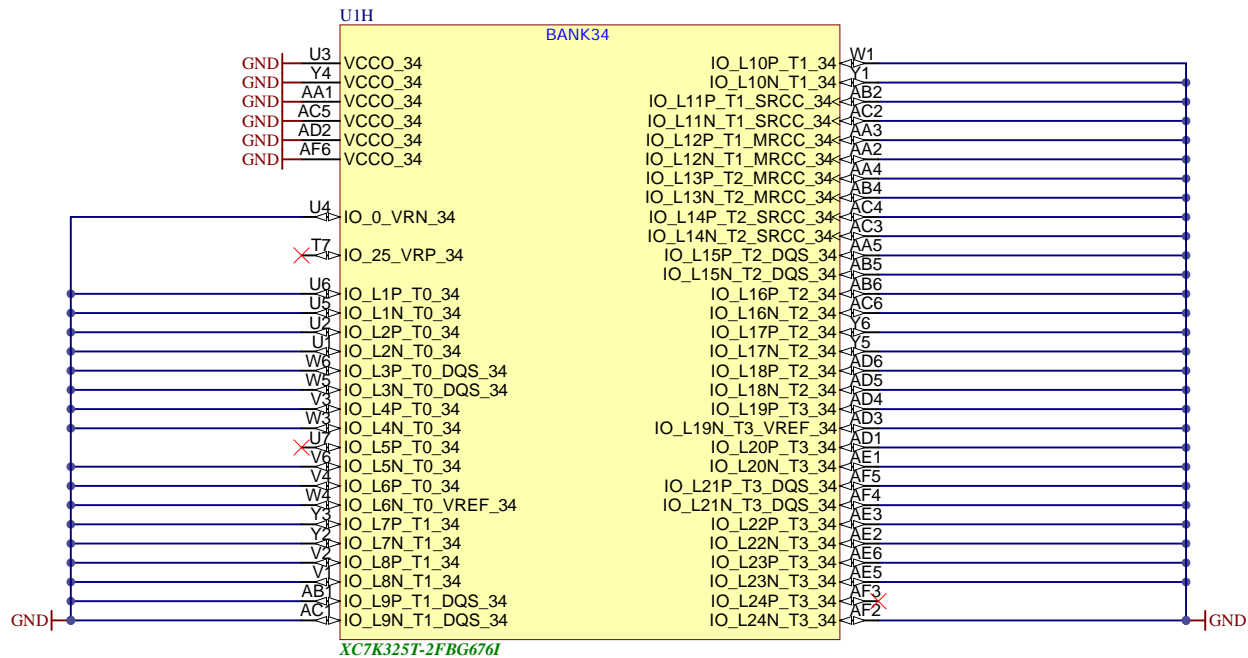
Title: TE0741		
A4	Number: TE0741 325-2IF	Rev. 03
Date: 2016-10-25	Copyright: 2013 Trenz Electronic GmbH	Page8 of 17
Filename: B33.SchDoc		

1

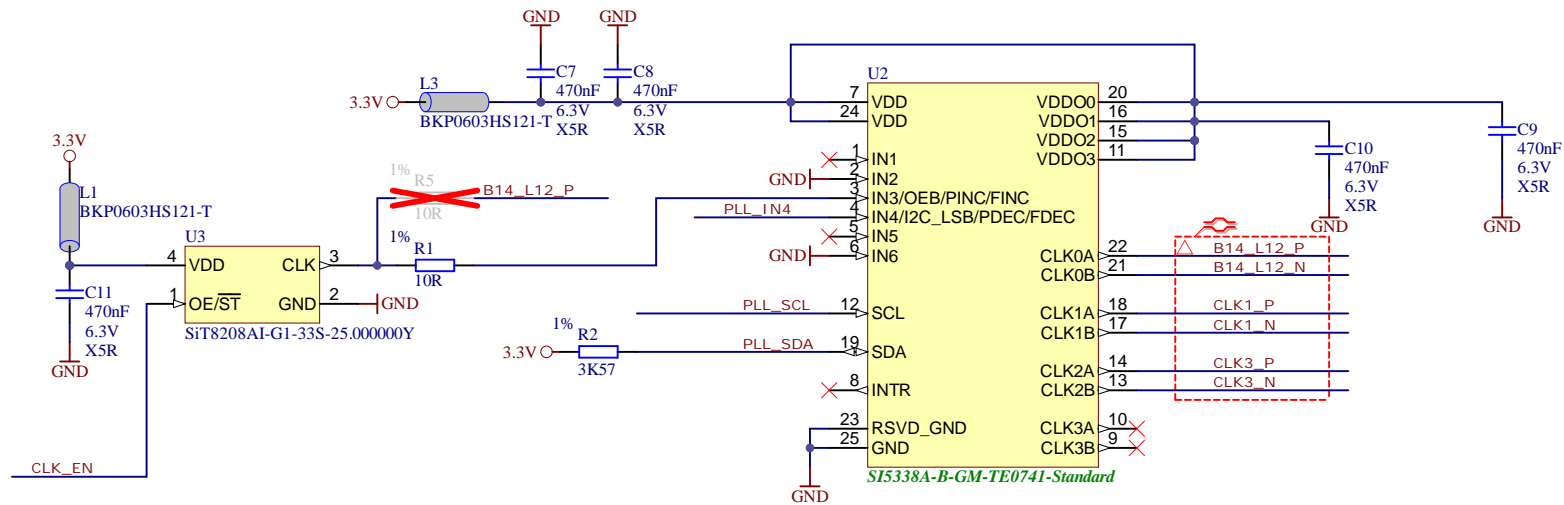
2


3

4



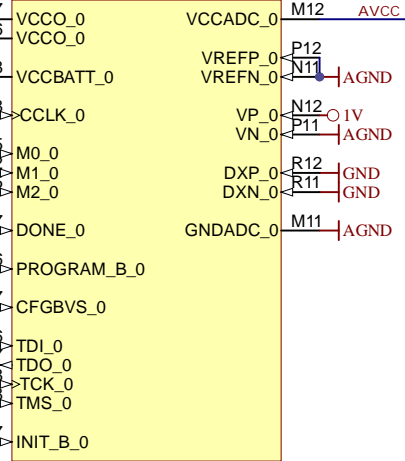
Title: TE0741		
A4	Number: TE0741 325-2IF	Rev. 03
Date: 2016-10-25	Copyright: 2013 Trenz Electronic GmbH	Page9 of 17
Filename: B34.SchDoc		



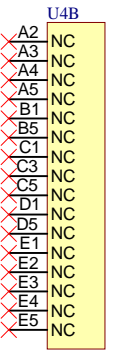
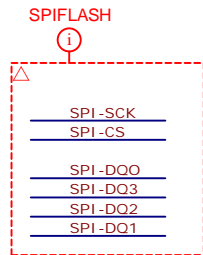
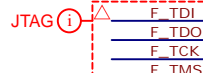
	Title: TE0741		
	A4	Number: TE0741 325-2IF	Rev. 03
	Date: 2016-10-25	Copyright: 2013 Trenz Electronic GmbH	Page 10 of 17
	Filename: Clock.SchDoc		

BOOTMODE = MASTER SPI => 0 0 1

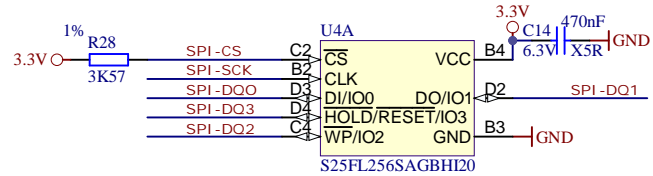
U11



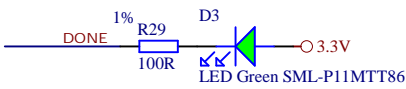
XC7K325T-2FBG676I



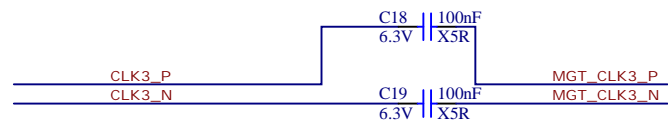
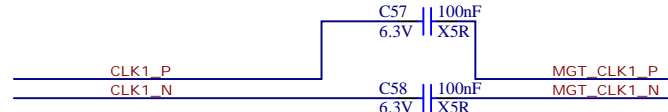
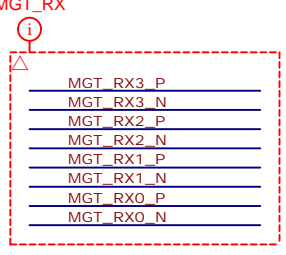
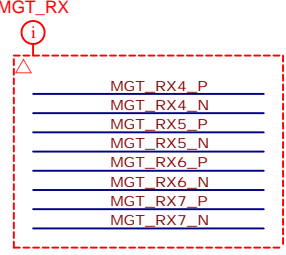
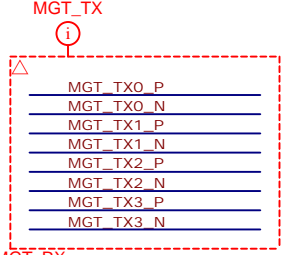
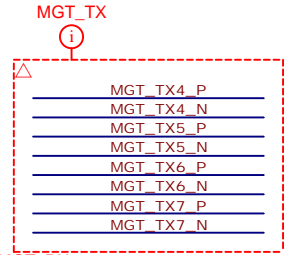
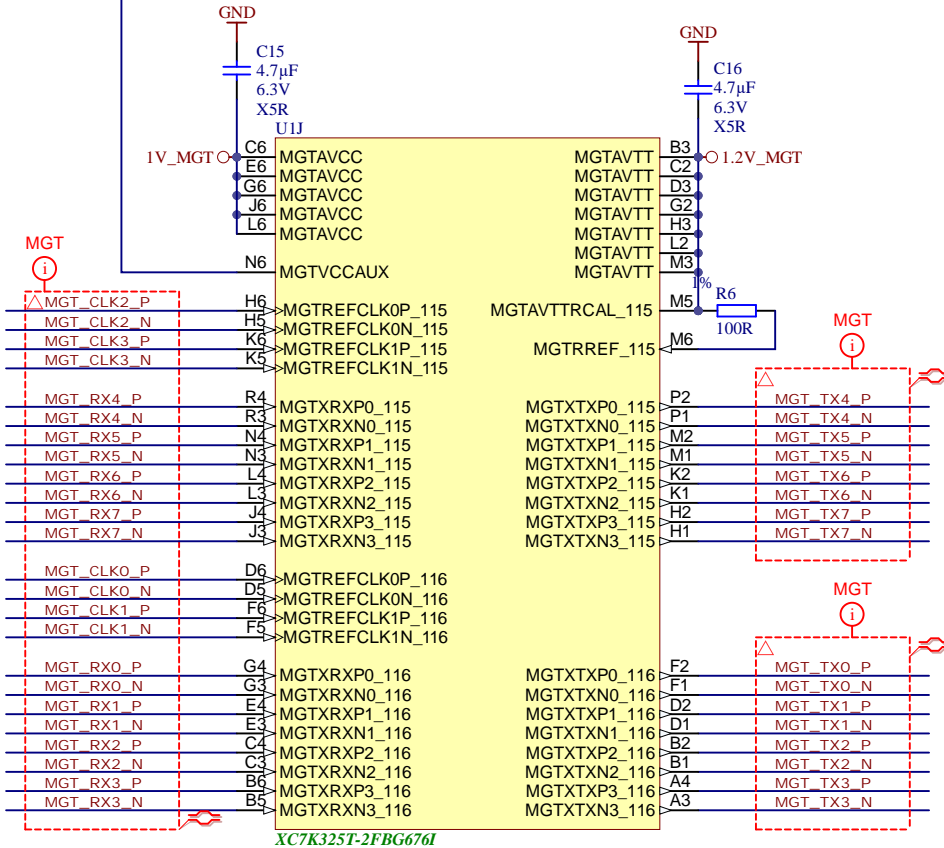
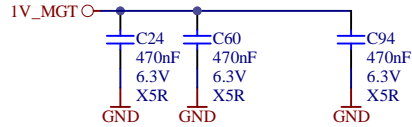
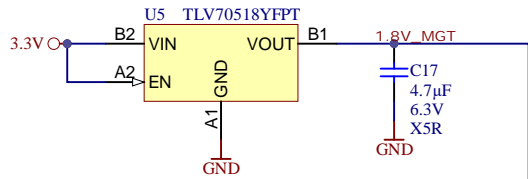
S25FL256SAGBH120



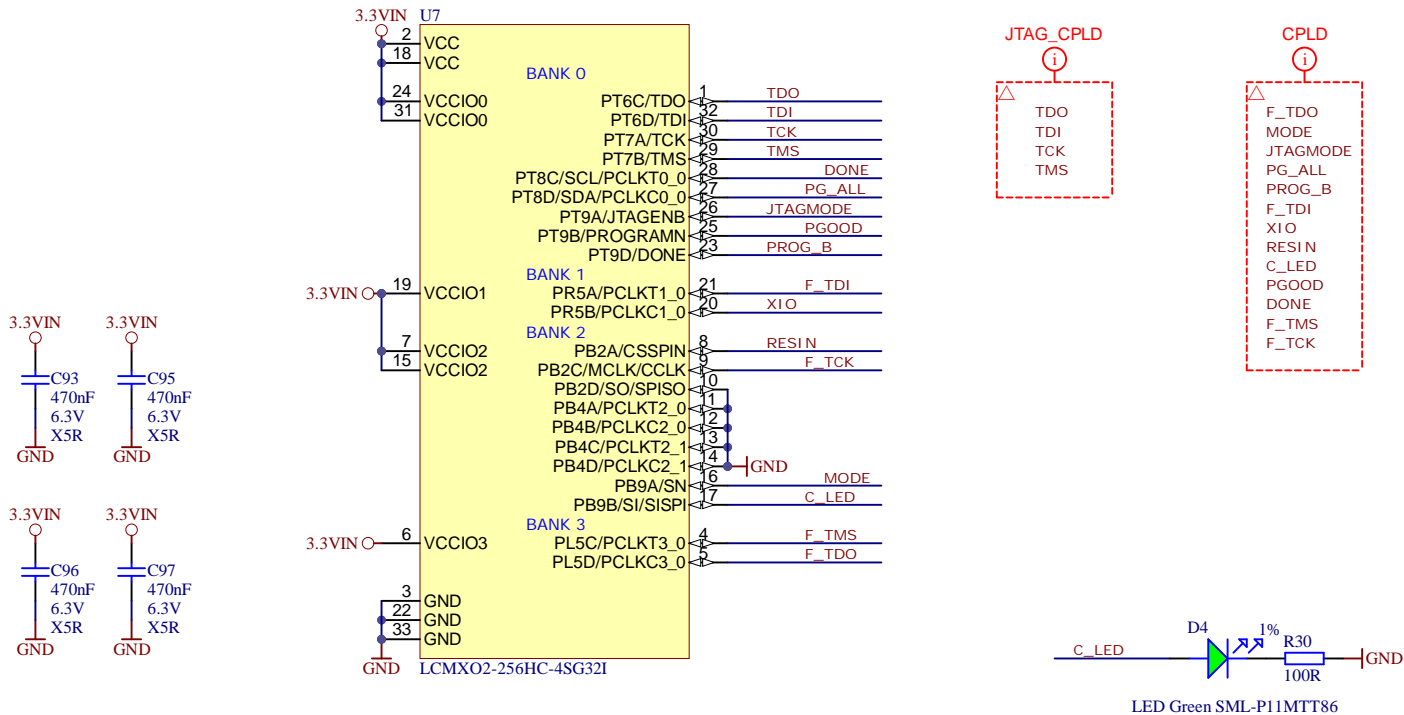
S25FL256SAGBH120




Title: TE0741		
A4	Number: TE0741 325-2IF	Rev. 03
Date: 2016-10-25	Copyright: 2013 Trenz Electronic GmbH	Page 11 of 17
Filename: FPGA-CFG.SchDoc		



Title: TE0741		
A4	Number: TE0741 325-2IF	Rev. 03
Date: 2016-10-25	Copyright: 2013 Trenz Electronic GmbH	Page 12 of 17
Filename: FPGA-MGT.SchDoc		



			Title: TE0741	
			A4	Number: TE0741 325-2IF
Date: 2016-10-25		Copyright: 2013 Trenz Electronic GmbH		Page13 of 17
Filename: FPGA-MISC.SchDoc				

1

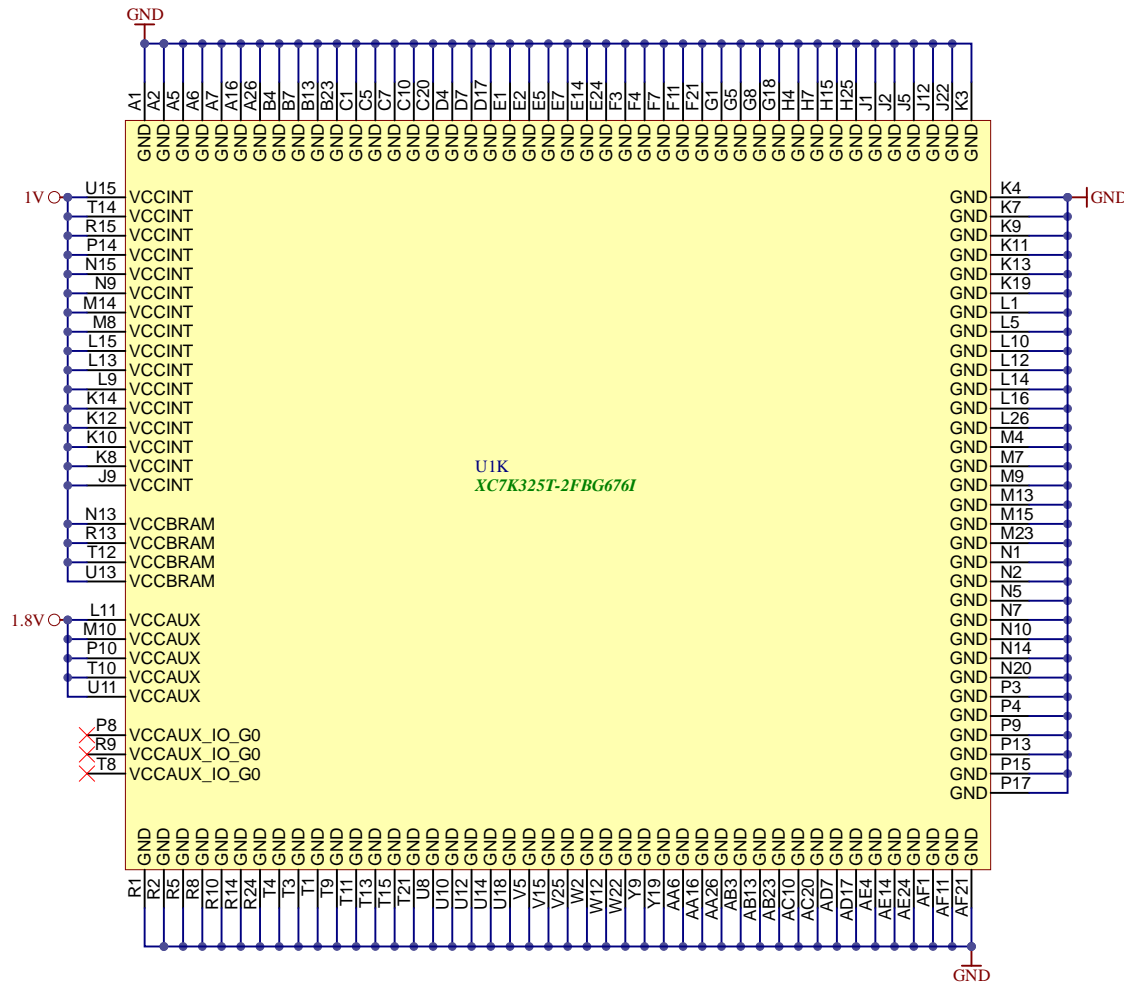
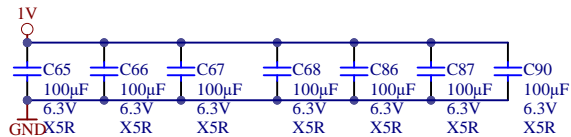
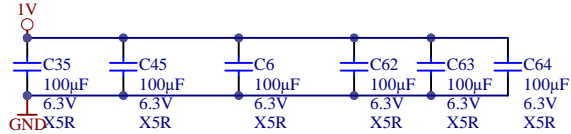
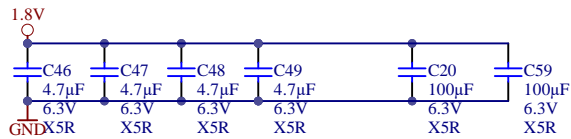
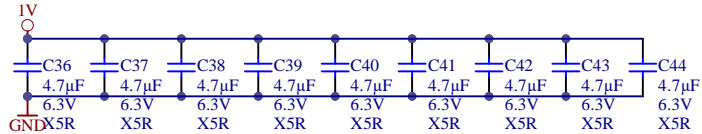
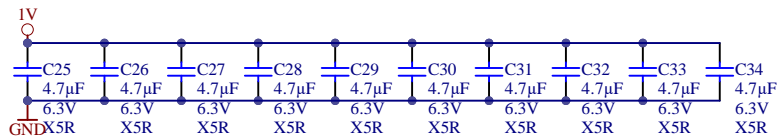
2

3

4

A

A



B

B

C

C

D

D

1

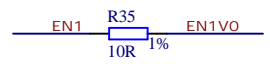
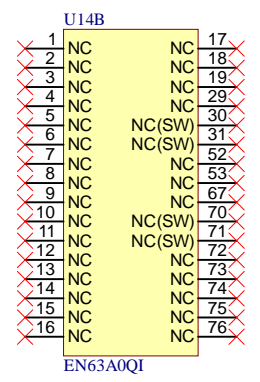
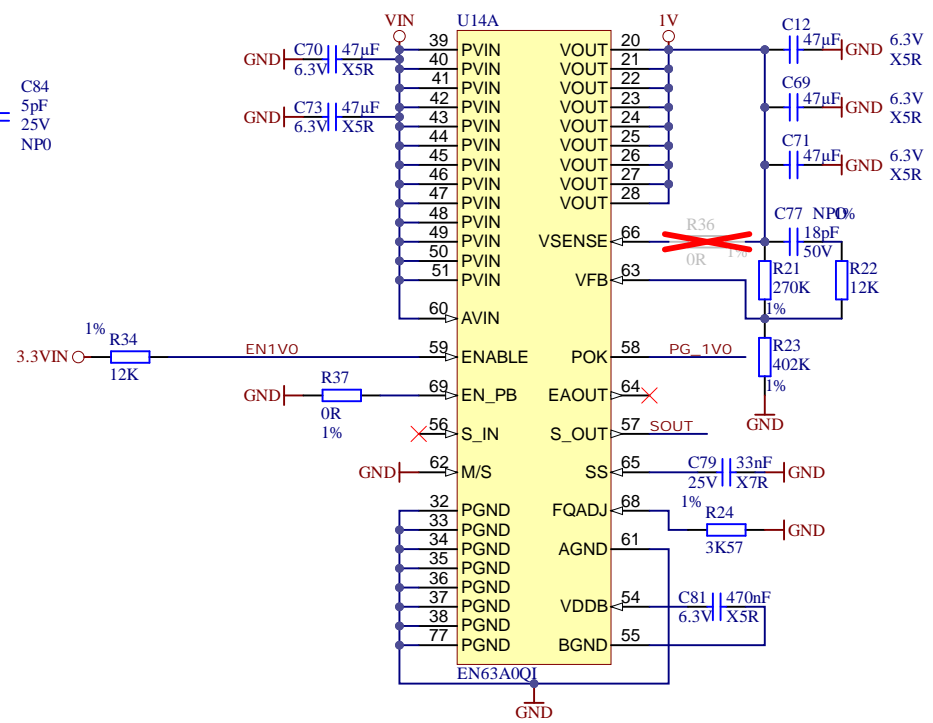
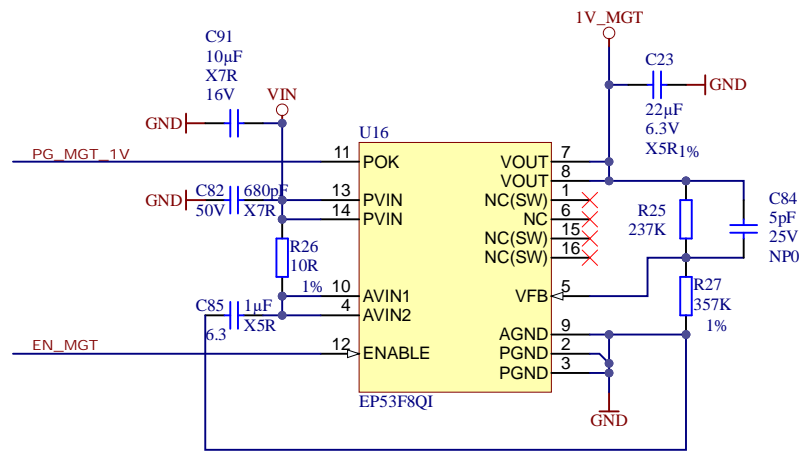
2

3

4



Title: TE0741		
A4	Number: TE0741 325-2IF	Rev. 03
Date: 2016-10-25	Copyright: 2013 Trenz Electronic GmbH	Page 14 of 17
Filename: FPGA-PWR.SchDoc		



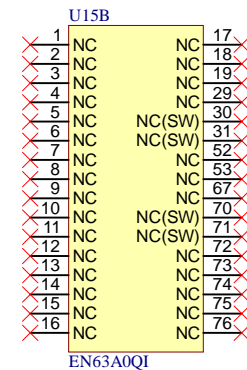
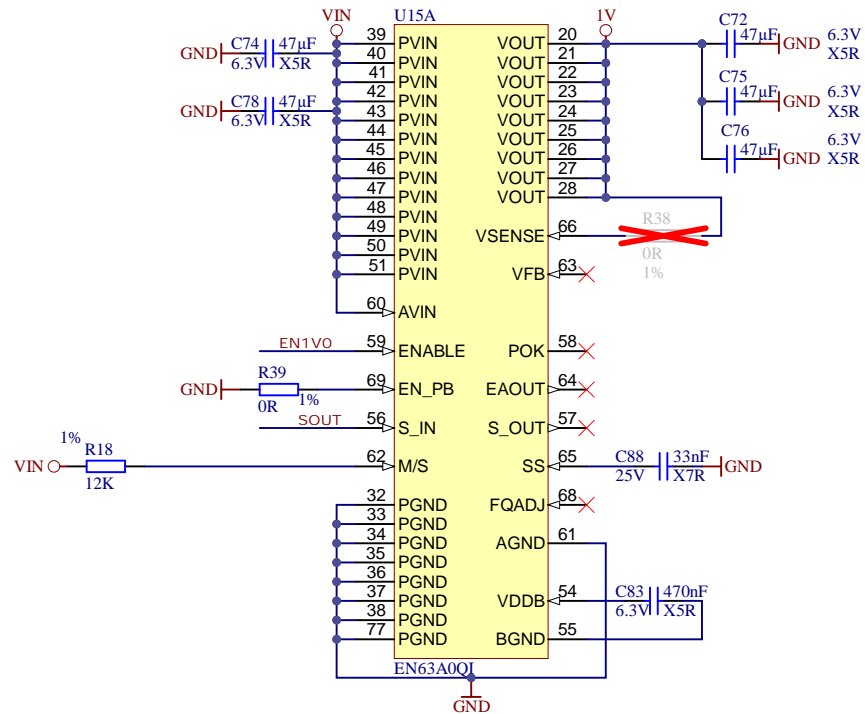
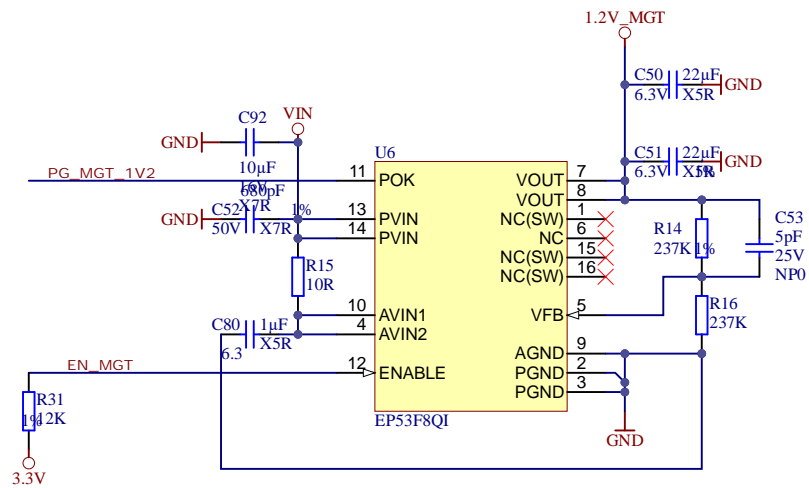
A Not mount if baseboard EN1 circuit cause problems

Pre-bias feature is not available for parallel operations

R36 R37 MODE EN63A0QI

 OK X | enable pre-bias start-up (available when U14 or U15 as DNP)
 X OK | disable pre-bias start-up

	Title: TE0741	
	A4	Number: TE0741 325-2IF
	Date: 2016-10-25	Copyright: 2013 Trenz Electronic GmbH
	Page 15 of 17	Rev. 03
Filename: PWR1.SchDoc		



Pre-bias feature is not available for parallel operations

R38 R39 MODE EN63A0QI

OK X | enable pre-bias start-up (available when U14 or U15 as DNP)
 X OK | disable pre-bias start-up

	Title: TE0741		
	A4	Number: TE0741 325-2IF	Rev. 03
	Date: 2016-10-25	Copyright: 2013 Trenz Electronic GmbH	Page 16 of 17
	Filename: PWR2.SchDoc		

1

2

3

4

CHANGES REV02 to REV03

- 1) fixed connection DCDC for parallel operations
- 2) update Razorbeam Connectors, full update lib
- 3) added serial number (traceability pad)
- 4) changed ferrite beads L1..L4 size 0402 on BKP0603HS121-T
- 5) added thermal vias to mounting holes

A

A

B


B

C

C

D

D

	Title: TE0741 - Changes list		
	A4	Number: TE0741 325-2IF	Rev. 03
	Date: 2016-10-25	Copyright: Trenz Electronic GmbH	Page 17 of 17
	Filename: Revision_Changes.SchDoc		

1

2

3

4