

4

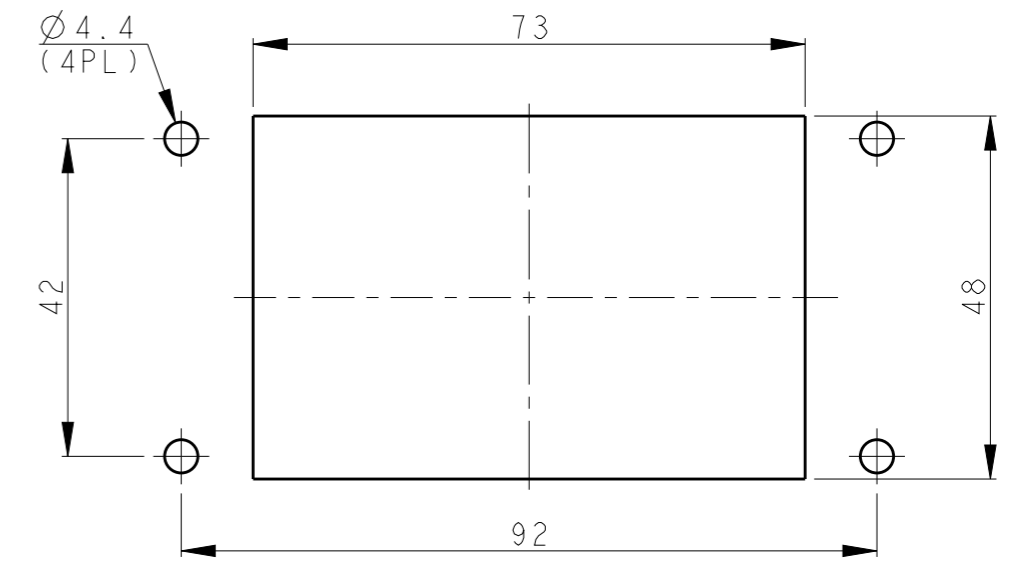
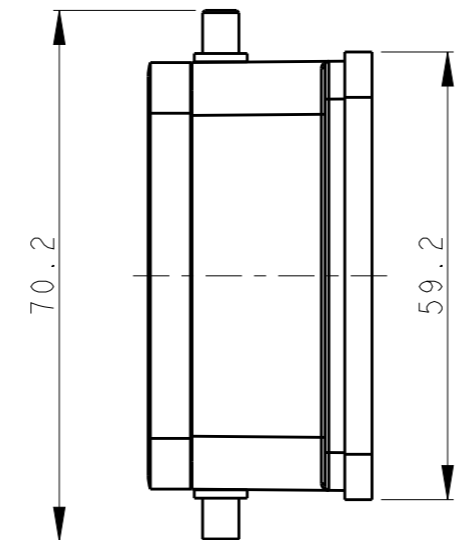
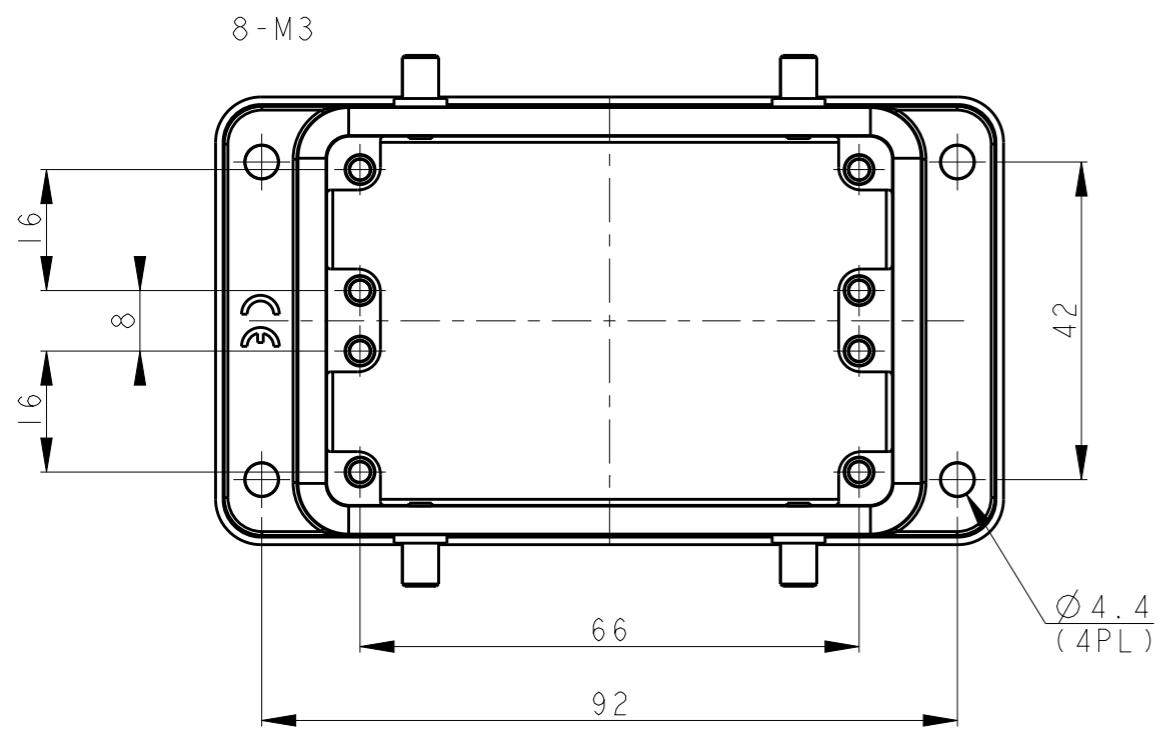
3

2

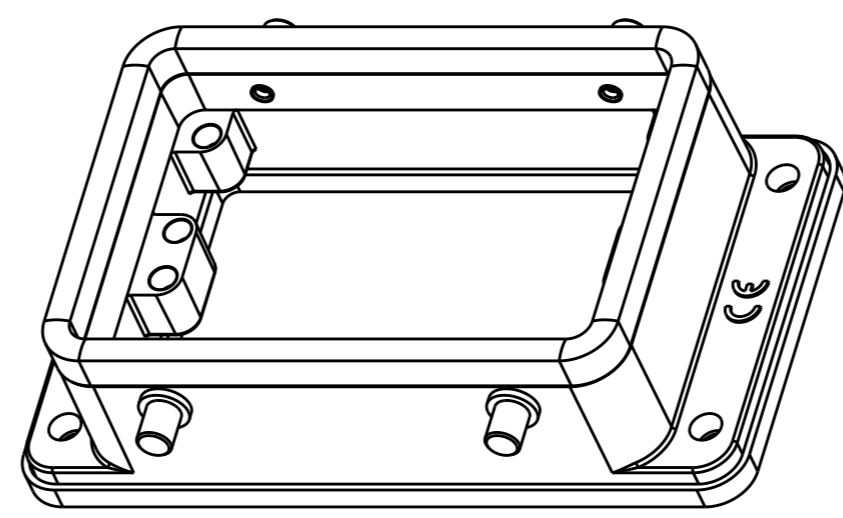
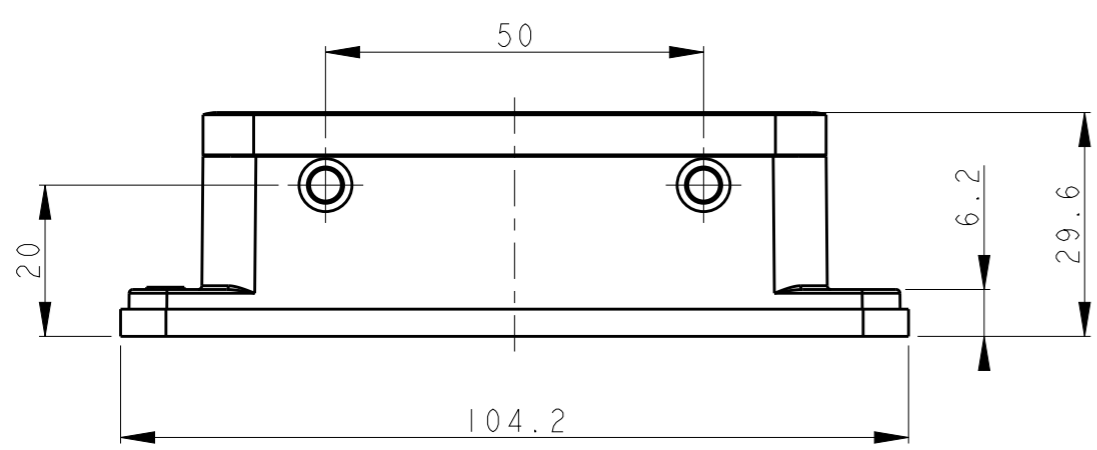
1

THIS DRAWING IS UNPUBLISHED. RELEASED FOR PUBLICATION 20  
 © COPYRIGHT 20 BY - ALL RIGHTS RESERVED.

REVISIONS					
P	LTR	DESCRIPTION	DATE	DWN	APVD
	A	INITIAL RELEASE	22APR2015	DL	CW
	A1	ECR-15-013439	11SEP2015	DL	CW
	B	ECR-20-010477	28DEC2020	BS	CW




PANNEL CUT OUT



NOTES:  
 1. TECHNICAL CHARACTERISTICS:  
 BODY MATERIAL: DIE CAST ALUMINIUM ALLOY  
 SURFACE TREATMENT: POWDER-COATED, GRAY  
 DEGREE OF PROTECTION: IP65 (MATED)

注释:  
 1. 技术参数:  
 主体材料: 铝合金  
 表面处理: 粉末喷涂, 灰色  
 防护等级: IP65(配合)

T1419320001-000	H32A-AG-BO
ASSEMBLY PART NUMBER	ASSEMBLY PART DESCRIPTION

THIS DRAWING IS A CONTROLLED DOCUMENT.		DWN 22APR2015 DAVID LI	 TE Connectivity NAME H32A-AG-BO	
DIMENSIONS: mm		CHK 22APR2015 CHRIS WANG		
TOLERANCES UNLESS OTHERWISE SPECIFIED:		APVD 22APR2015 XU XIANG		
0 PLC ±- 1 PLC ±- 2 PLC ±- 3 PLC ±- 4 PLC ±- ANGLES ±-		PRODUCT SPEC 108-137010		
MATERIAL -		FINISH -	APPLICATION SPEC 114-137010	SIZE A3
			WEIGHT -	CAGE CODE -
			Customer Drawing	DRAWING NO. C-T1419320001000
				RESTRICTED TO -
				SCALE 1:1
				SHEET 1 OF 1
				REV B