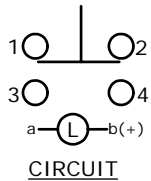
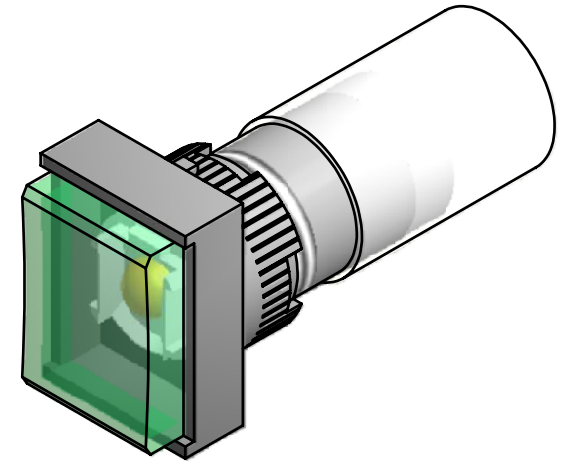
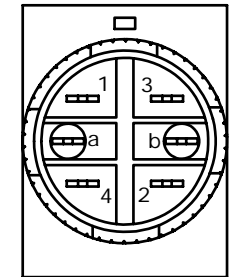
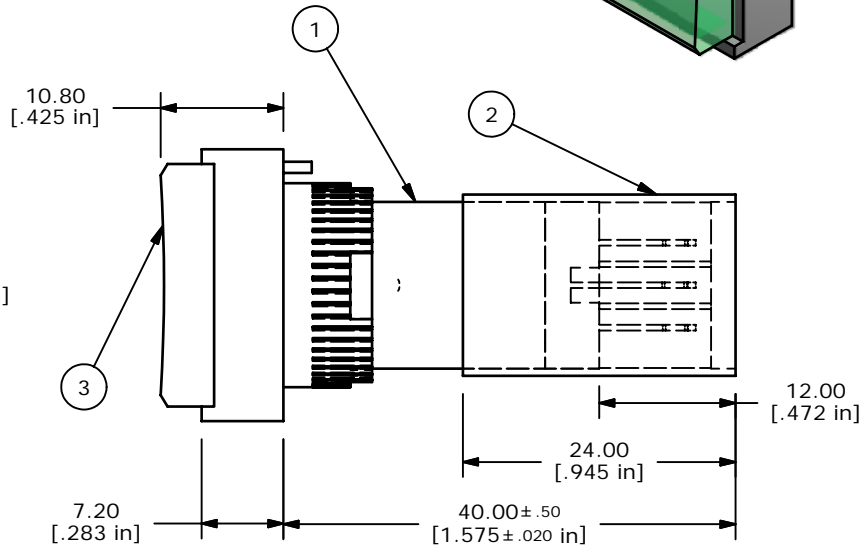
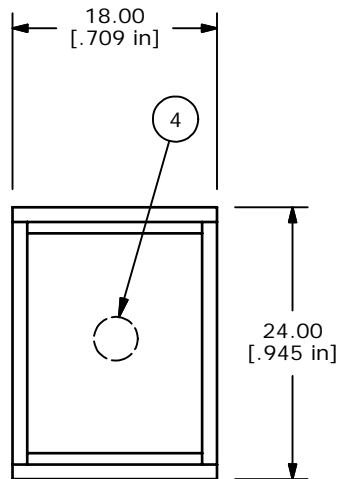


RECOMMENDED PANEL MOUNTING



- NOTE:
1. ALL DIMENSIONS IN MM [INCH]
 2. GENERAL TOLERANCE: X.X=±0.4
X.XX=±0.25
 3. TERMINAL NUMBERS FOR REF ONLY
 4. OPERATING TEMP: -25°C to +55°C
 5. STORAGE TEMP: -40°C TO +85°C
 - ▲ 6. LAMP VOLTAGE: 110 VAC GREEN NEON
 7. RATING: 5A @ 250 VAC
6A @ 24 VDC
 8. MECHANICAL LIFE: 2 MILLION OPERATIONS
 9. PANEL THICKNESS: 0.5 - 5mm
 10. DEGREE OF PROTECTION: IP40
 11. ▲ DENOTES CRITICAL PARAMETER.
 12. 2002/05/EC (ROHS) COMPLIANT.



PARTS LIST			
ITEM	QTY	PART NUMBER	DESCRIPTION
1	1	F040013	P16EET11 BODY
2	1	F051601	P16 PLASTIC TERMINAL PROTECTOR
3	1	F050202	50-002-02 RECTANGULAR, CONCAVE, TRANSPARENT, GREEN LENS
4	1	F050411	50-004-11, 110 VAC GREEN NEON



A	17877	RELEASED FOR PRODUCTION	11/29/07	BLR
REV	PCR NO	DESCRIPTION	DATE	BY

TITLE P16EET11FGRNGRN				
SCALE	DATE	DR	DWG	REV
1.5:1	11/29/2007	BLR	XF0695P	A

THE INFORMATION CONTAINED IN THIS DOCUMENT IS PROPRIETARY TO E-SWITCH AND IS NOT TO BE COPIED OR TRANSFERRED