

# Customer Information Sheet

DRAWING No.: KAI-201XX98F1

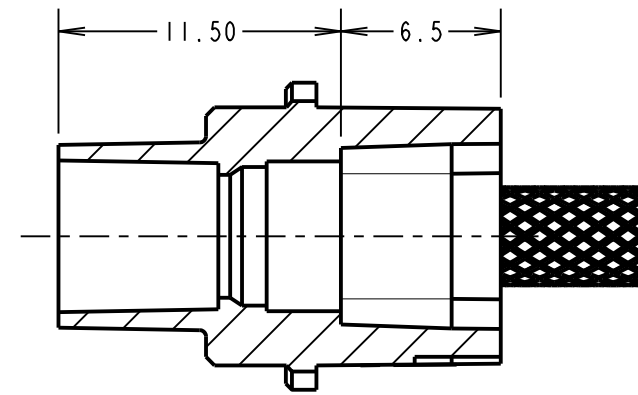
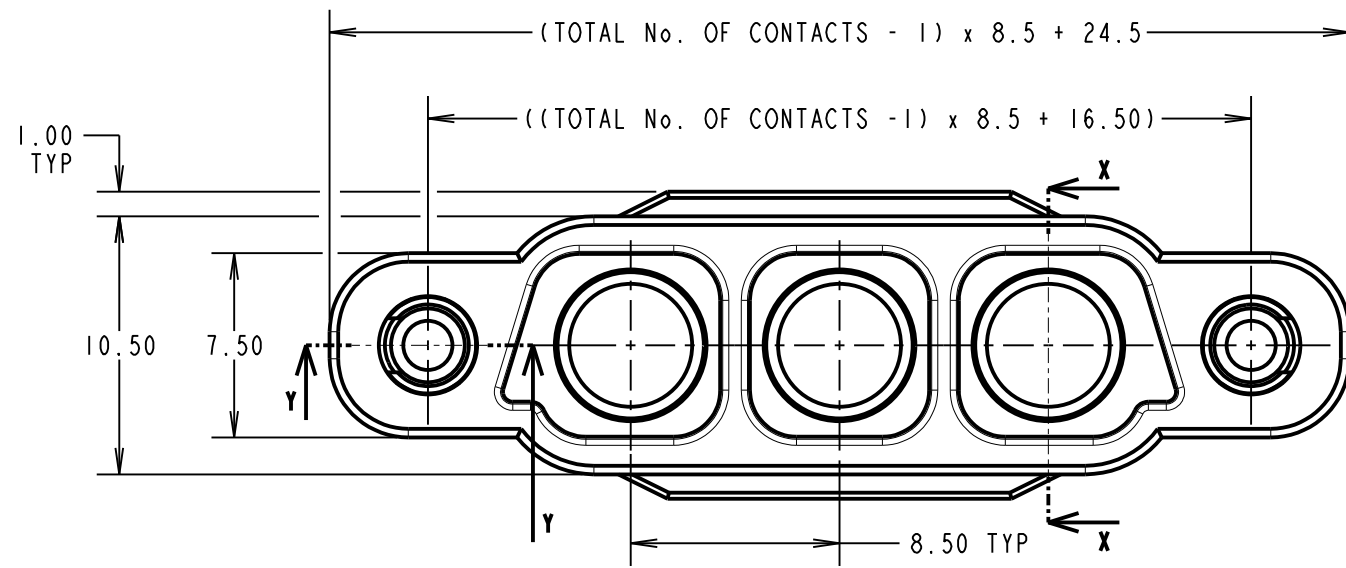
IF IN DOUBT - ASK

©

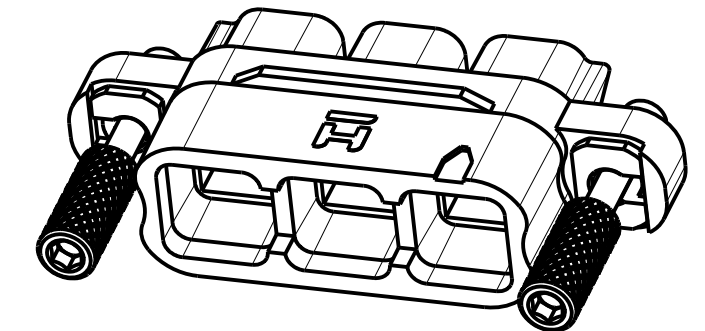
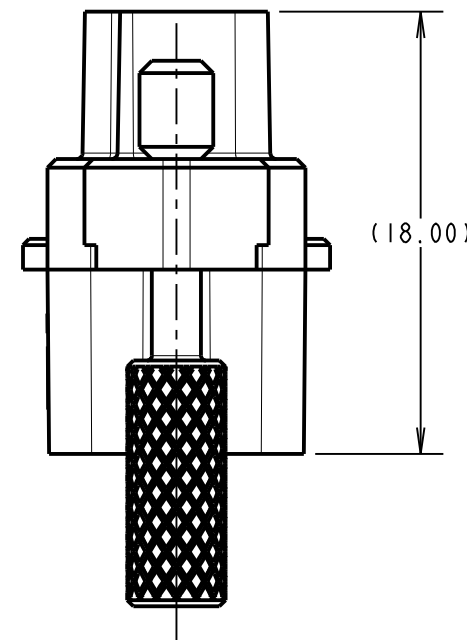
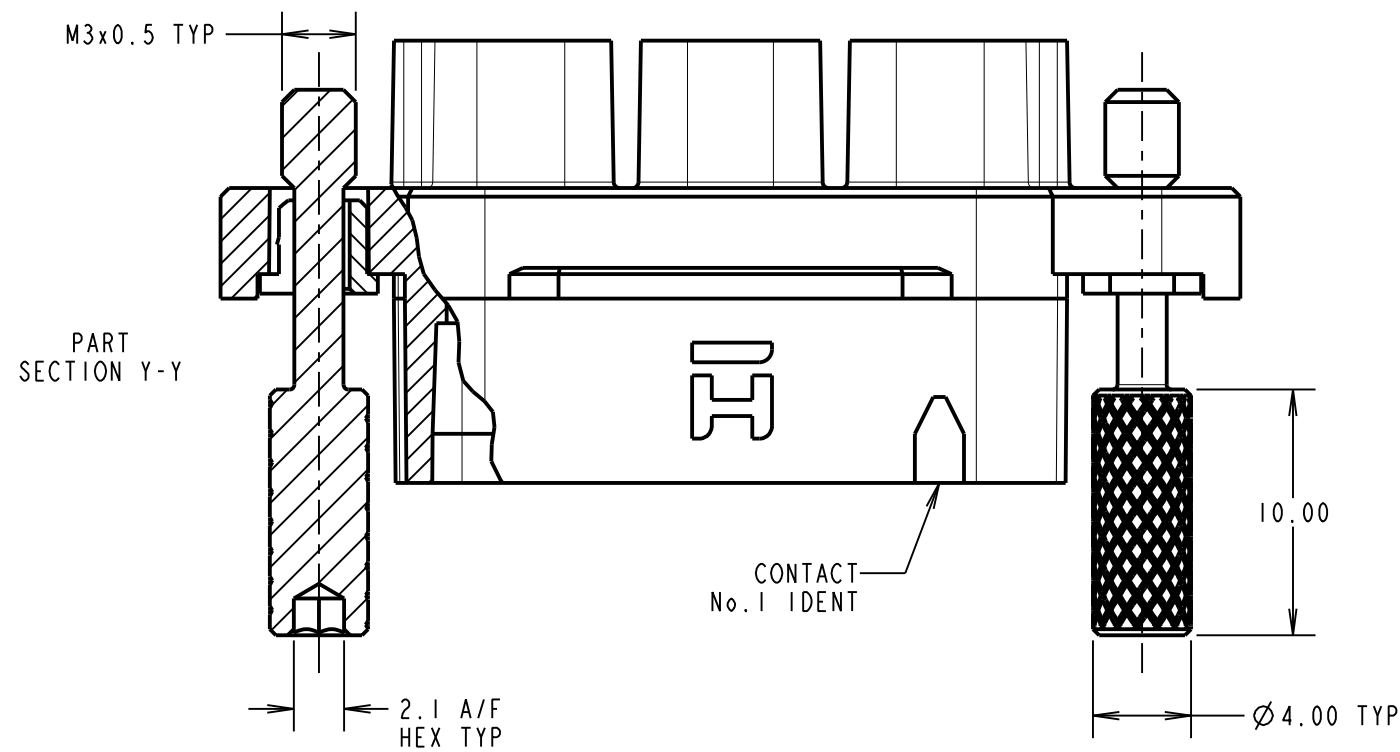
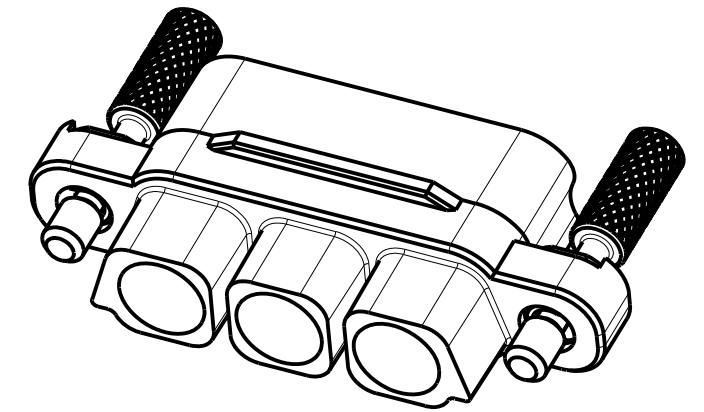
NOT TO SCALE

THIRD ANGLE PROJECTION

ALL DIMENSIONS IN mm



SECTION X-X



NOTES:

1. PACK SIZE: 5
2. MOULDING TO BE USED WITH KAI-0400005 SOLDER CUP CONTACTS.
3. FOR ASSEMBLY INSTRUCTIONS SEE INSTRUCTION SHEET IS49.
4. FOR MATERIALS, FINISH AND SPECIFICATIONS SEE KAI SERIES COMPONENT SPECIFICATION C052XX (LATEST ISSUE) FOR FULL SPECIFICATION.
5. DRAWING SHOWS HOUSING WITH 3 CONTACT POSITIONS.

MR	2	10.03.21	30380
NAME	ISS.	DATE	CN/CO
APPROVED: M.RUDKIN			
CHECKED: R.PORTLOCK			
DRAWN: M.RUDKIN			
CUSTOMER REF.:			
ASSEMBLY DRG:			

ORDER CODE: **KAI-201XX98F1**

TOTAL No. OF CONTACTS: 02, 03, & 04.

**HARWIN**

www.harwin.com  
technical@harwin.com

THIS DRAWING AND ANY INFORMATION OR DESCRIPTIVE MATTER SET OUT HEREON ARE CONFIDENTIAL AND COPYRIGHT PROPERTY OF THE HARWIN GROUP AND MUST NOT BE DISCLOSED, LOANED, COPIED OR USED FOR MANUFACTURING, TENDERING OR FOR ANY OTHER PURPOSE WITHOUT THEIR WRITTEN PERMISSION.

TOLERANCES

X. = ±1mm  
X.X = ±0.50mm  
X.XX = ±0.20mm  
X.XXX = ±0.01mm  
ANGLES = ±5°  
UNLESS STATED

MATERIAL:

SEE SHEET 1

FINISH:

SEE SHEET 1

S/AREA:

mm<sup>2</sup>

TITLE:

KONA SERIES - FEMALE  
CABLE CONNECTOR

DRAWING NUMBER:

**KAI-201XX98F1**

SHT  
3 OF 3